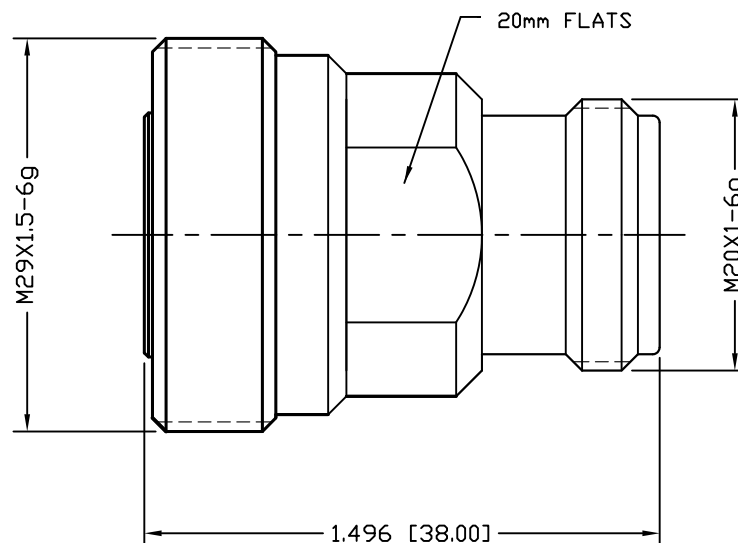


PART NO.

RFD-1683-4

REV	DESCRIPTION	DWN	DATE	APPROVED
A	UPDATED SPECS	CZS	03/26/14	JDMc

SPECIFICATIONS:

IMPEDANCE: 50 Ohms
 FREQUENCY RANGE: 0-7.5 GHz
 MAX. PIM: -160dBc MAX. (1900 MHz)
 VSWR: 0 TO 2.5 GHz <1.07:1
 VSWR: 2.5 TO 7.5 GHz <1.15:1
 INSERTION LOSS: 0.05 dB MAX. @ 3.0 GHz
 INSULATION RESISTANCE: 5K MOhms
 WORKING VOLTAGE: 1200 vrms MAX.
 MATING CYCLES: 500
 TEMPERATURE RANGE: -55°C TO 85°C

CUSTOMER
OUTLINE DRAWINGALL DIMENSIONS
ARE REFERENCE ONLYUNLESS OTHERWISE SPECIFIED:
DIMENSIONS ARE IN INCHES
AND [MILLIMETERS]DRAWN
C. ZUNIGA 03/26/14

CHECKED

ORJ DRAWN
C. ZUNIGA 03/14/14**RoHS
COMPLIANT**

PROPRIETARY AND CONFIDENTIAL
 THIS DRAWING CONTAINS
 INFORMATION PROPRIETARY TO
 RF INDUSTRIES, ANY
 UNAUTHORIZED USE OF THIS
 DRAWING IS EXPRESSLY
 PROHIBITED WITHOUT WRITTEN
 PERMISSION FROM RF
 INDUSTRIES. ANY VIOLATION IS
 PUNISHABLE UNDER U.S.
 COPYRIGHT LAWS.

RFconnectors

7610 MIRAMAR RD.
 SAN DIEGO, CA 92126
 (858) 549-6340
 DIVISION OF RF INDUSTRIES, LTD. (858) 549-6345 FAX

**7/16 DIN JACK TO
 4.1-9.5 JACK ADAPTER**

SIZE	CABLE GROUP	DWG NO.	REV
A	N/A	RFD-1683-4	A
SCALE: NTS		ENGINEERING ID: 001787	SHEET 1 OF 1

#	DESCRIPTION	QTY	MATERIAL	FINISH
3	CONTACT	1	PHOS. BRONZE	SILVER
2	INSULATOR	1	PTFE	---
1	BODY	1	BRASS	WHITE BRONZE