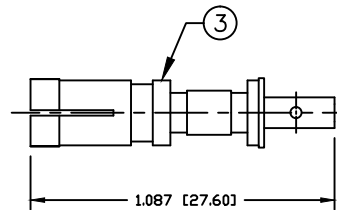
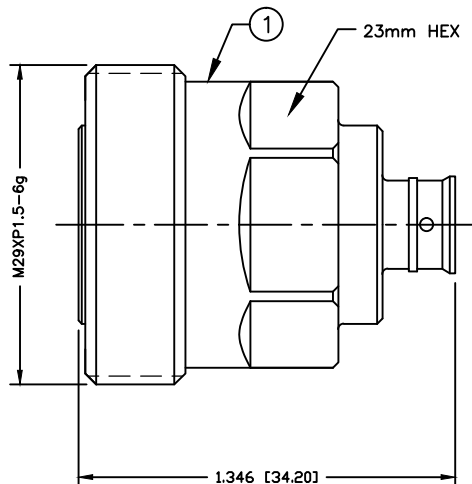


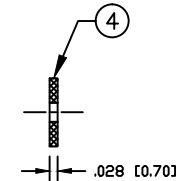
PART NO.

RFD-1625-HPL

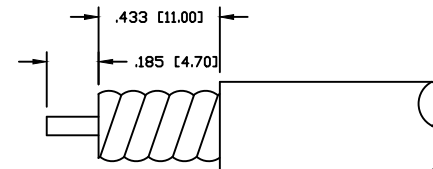
REV	DESCRIPTION	DWN	DATE	APPROVED
-	ENGINEERING RELEASE	CZS	08/08/16	JDMc



SOLDER ONLY
CONTACT



REAR INSULATOR



RECOMMENDED STRIPPING DIMENSIONS

SPECIFICATIONS:

INTERFACE: IEC61169-16
 IMPEDANCE: 50 OHMS
 FREQUENCY RANGE: DC-3 GHz
 VSWR MAX: <1.15:1 @ 3 GHz
 3rd ORDER IM: ≤-155 dBc
 TEMPERATURE RANGE: -55°C TO +165°C
 FOR SSP-250-LLP TIMES MICROWAVE

#	DESCRIPTION	QTY	MATERIAL	FINISH
4	REAR INSULATOR	1	PTFE	----
3	CONTACT	1	BeCu	SILVER
2	INSULATOR	1	PTFE	----
1	BODY	1	BRASS	WHITE BRONZE

CUSTOMER OUTLINE DRAWING	
ALL DIMENSIONS ARE REFERENCE ONLY	
UNLESS OTHERWISE SPECIFIED: DIMENSIONS ARE IN INCHES AND [MILLIMETERS]	
DRAWN C. ZUNIGA	08/08/16
CHECKED	
ORJ DRAWN C. ZUNIGA	08/08/16

RoHS
COMPLIANT

PROPRIETARY AND CONFIDENTIAL
 THIS DRAWING CONTAINS
 INFORMATION PROPRIETARY TO
 RF INDUSTRIES. ANY
 UNAUTHORIZED USE OF THIS
 DRAWING IS EXPRESSLY
 PROHIBITED WITHOUT WRITTEN
 PERMISSION FROM RF
 INDUSTRIES. ANY VIOLATION IS
 PUNISHABLE UNDER U.S.
 COPYRIGHT LAWS.

RFconnectors
 DIVISION OF RF INDUSTRIES, LTD. 7610 MIRAMAR RD.
 SAN DIEGO, CA 92126
 (858) 549-6340
 (858) 549-6345 FAX

7/16 DIN FEMALE
 DIRECT SOLDER

SIZE	CABLE GROUP	DWG NO.	REV
A	HPL	RFD-1625-HPL	—
SCALE: NTS	ENGINEERING ID: 000000	SHEET 1 OF 1	