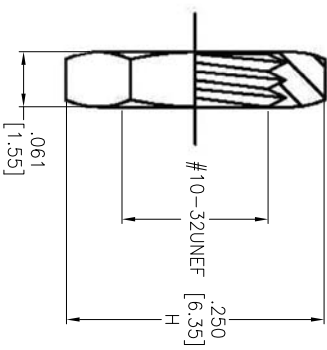
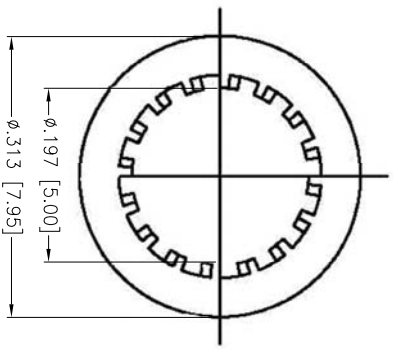
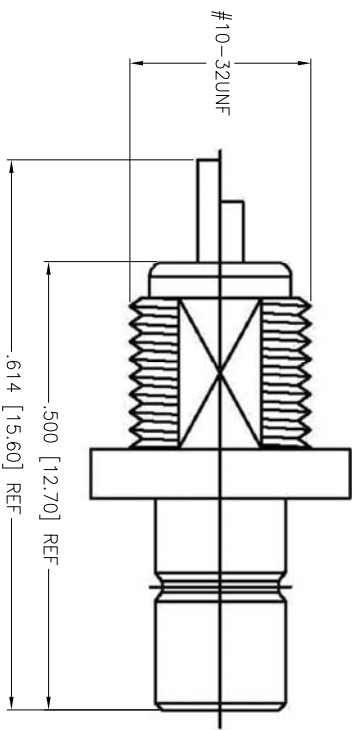


Rev	AWO #	Description	Date	Appr
-		RELEASED	5/11/16	

APPROVED: \_\_\_\_\_  
 DATE: \_\_\_\_\_ TITLE: \_\_\_\_\_



DESCRIPTION	MATERIAL	FINISH
WASHER	BRASS	GOLD
NUT	BRASS	GOLD
DIELECTRIC	TEFLON	NONE
DIELECTRIC	TEFLON	NONE
PIN	BRASS	GOLD
BODY	BRASS	GOLD

**SPECIFICATIONS:**

Electrical:  
 Nominal Impedance: 50 ohms  
 Frequency range: 0-4 GHz  
 Contact Resistance: 6 Milliohms. (Center Contact)  
 2.5 Milliohms. (Outer Contact)  
 Insulator Resistance: 1000 Megohms.  
 Environmental:  
 Lead free, RoHS compliant.



**ADAM TECH**

909 Rahway Avenue, Union, NJ 07083  
 Phone: 908-687-5000 Fax: 908-687-5710

SMB FEMALE BULKHEAD, 50 OHM

UNLESS OTHERWISE SPECIFIED ALL DIMENSIONS ARE INCHES [MM]	
TOLERANCES: EXCEPT AS NOTED	
INCHES	HOLES
.X ±.10	Ø.X ±.10
.XX ±.020	Ø.XXX ±.015
.XXX ±.015	Ø.XXX ±.010
APPROVALS	
DRAWN	AY
CHECKED	LL
APPROVED	
DATE	DATE
5/11/16	5/11/16

TITLE	SMB FEMALE BULKHEAD, 50 OHM	
SIZE	PART NO.	REV.
X	RF3-45-T-00-50-G-HDW	
REF:	S00049T	SCALE: NTS
SHEET 1 OF 1		