

6

5

4

3

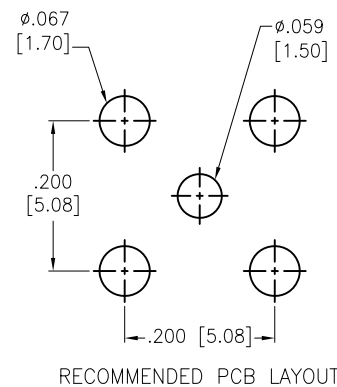
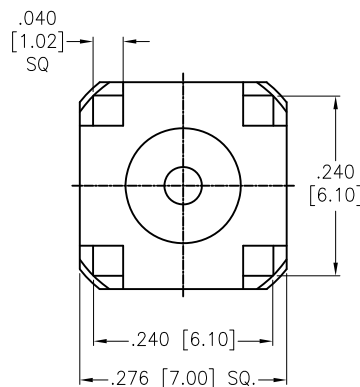
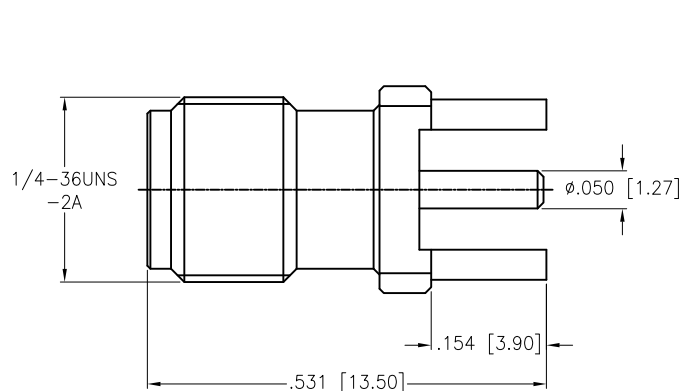
2

1

APPROVED: _____

DATE: _____ TITLE: _____

Rev	AWO #	Description	Date	Appr
-		RELEASED	9/30/20	



BODY	BRASS	NICKEL
INSULATOR	PTFE	WHITE
CENTER PIN	BRASS	GOLD
DESCRIPTION	MATERIAL	FINISH

SPECIFICATIONS:

Electrical:
 Nominal Impedance: 50 ohms
 Frequency range: DC-18 GHz
 Working voltage: 335 VOLTS max.
 Proof voltage: 1,000 VOLTS
 Temperature Rating:
 Operating temperature: -65°C to +165°C
 Environmental:
 Lead free, RoHS compliant.



UNLESS OTHERWISE SPECIFIED
 ALL DIMENSIONS ARE INCHES [MM]
 TOLERANCES: EXCEPT AS NOTED

INCHES		HOLES	
.X	± .10	Ø.X	± .10
.XX	± .020	Ø.XX	± .015
.XXX	± .015	Ø.XXX	± .010

ADAM TECH

909 Rahway Avenue, Union, NJ 07083
 Phone: 908-687-5000 Fax: 908-687-5710

APPROVALS		DATE
DRAWN	SS	9/30/20
CHECKED	SS	9/30/20
APPROVED		

TITLE		
RF CONNECTOR, SMA STR PCB JACK		
SIZE	PART NO.	REV.
X	RF2-19A-T-00-50	-
REF: S00277T	SCALE: NTS	SHEET 1 OF 1

6

5

4

3

2

1