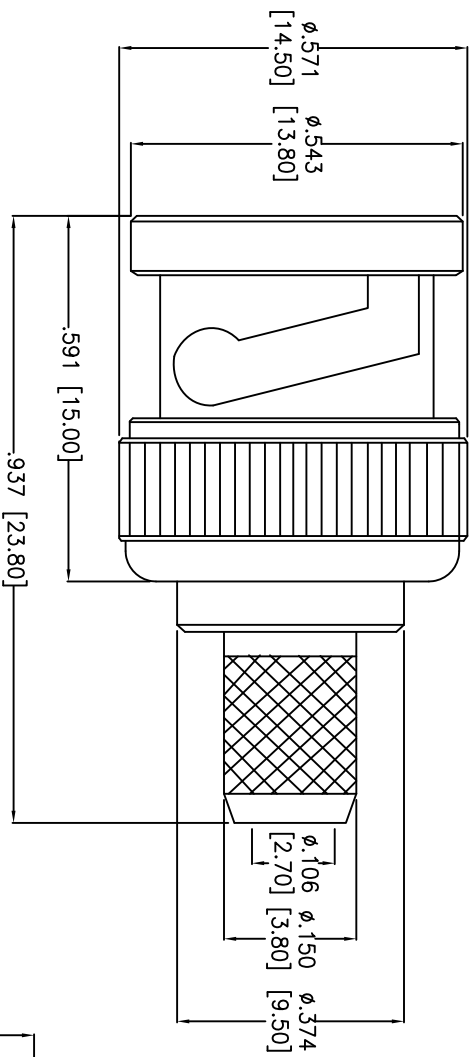


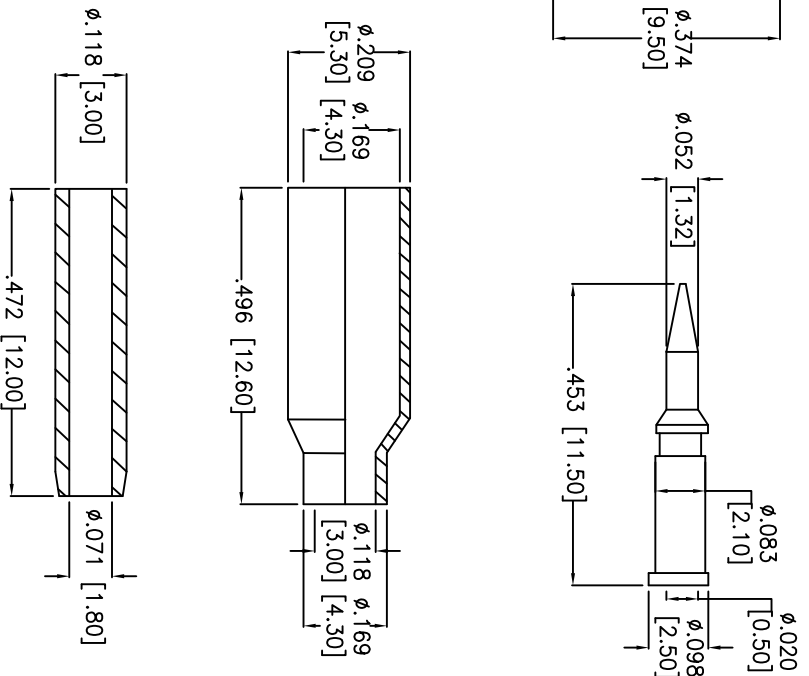
Rev	AWO #	Description	Date	Appr
-	9362	RELEASED	2/16/09	

APPROVED: \_\_\_\_\_  
 DATE: \_\_\_\_\_ TITLE: \_\_\_\_\_



DESCRIPTION	MATERIAL	FINISH	QTY
FERRULE	BRASS	NICKEL	1
FERRULE	BRASS	NICKEL	1
SLEEVE	ABC	NONE	1
CONTACT PIN	BRASS	GOLD	1
WASHER	IRON	NICKEL	1
SPRING	65Mn	NONE	1
OUT CONTACT	ZINC	NICKEL	1
GASKET	PVC	NONE	1
INSULATOR	TEFLON	NONE	1
BODY	BRASS	NICKEL	1
SHELL	ZINC	NICKEL	1

**SPECIFICATIONS:**  
 Electrical:  
 Impedance: 75 ohms  
 Frequency range: 0-4 GHz  
 Working Voltage: 500 VRMS max.  
 Dielectric Withstanding Voltage: 1500 VRMS min.  
 Contact Resistance: 3 Milliohms max. (Center Contact)  
 2 Milliohms max. (Outer Contact)  
 Insulator Resistance: 5000 Megohms min.  
 Environmental:  
 Lead free, RoHS compliant.



**ADAM TECH**

909 Rahway Avenue, Union, NJ 07083  
 Phone: 908-687-5000 Fax: 908-687-5710

BNC MALE CRIMP FOR RG179, 75 OHM

UNLESS OTHERWISE SPECIFIED  
 ALL DIMENSIONS ARE INCHES [MM]  
 TOLERANCES: EXCEPT AS NOTED

INCHES	HOLES
.X ± .10	Ø.X ± .10
.XX ± .020	Ø.XXX ± .015
.XXX ± .015	Ø.XXX ± .010

APPROVALS

APPROVALS	DATE
DRAWN DY	2/16/09
CHECKED CH	2/16/09
APPROVED	

SIZE	PART NO.	REV.
X	RF1-03-T-03-75	
REF: S00049T	SCALE: NTS	SHEET 1 OF 1