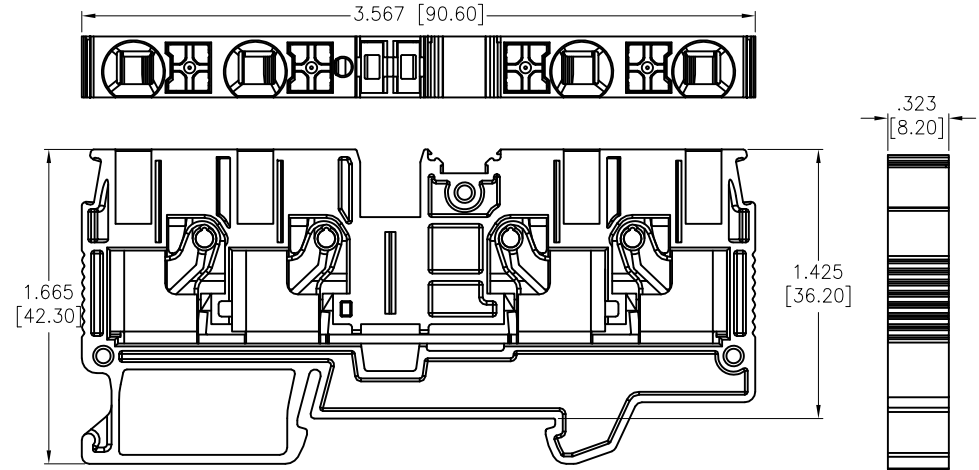
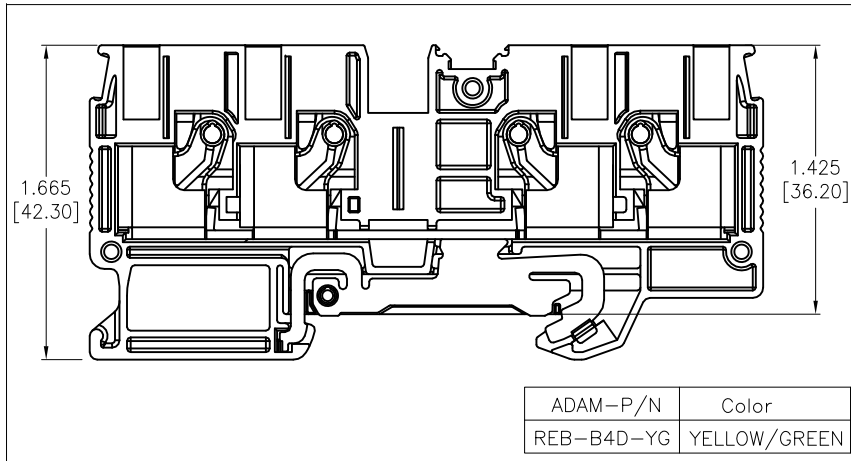



APPROVED: \_\_\_\_\_

DATE: \_\_\_\_\_ TITLE: \_\_\_\_\_

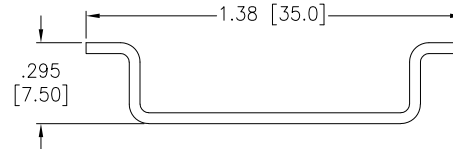
Rev	AWO #	Description	Date	Appr
-		RELEASED	10/7/22	
A		UPDATE SPEC.	9/8/23	LH/RC



**SPECIFICATIONS:**

Material:  
 Insulator: PA66, rated UL 94V-0  
 Insulator Color: See Chart  
 Contacts: Copper Alloy, Tin Plated  
 Electrical:  
 Voltage rating: 600 VAC  
 Current rating: 40 Amp  
 Dielectric withstanding voltage: 2200 VAC for 1 minute  
 Mechanical:  
 Recommended Wire Size:  
 Solid: 20-8AWG (0.5-10.0mm<sup>2</sup>)  
 Stranded: 20-10AWG (0.5-6.0mm<sup>2</sup>)  
 Stripping Length: .394"~.472" (10-12mm)  
 Temperature Rating:  
 Operating temperature: -40°C to +105°C  
 Environmental:  
 Lead free, RoHS compliant. 

**RECOMMENDED RAIL SIZE**  
35.0mm X 7.5mm



ADAM-P/N	Color
REB-B 4 D -XX	OR=Orange
	BU=Blue
	GY=Gray
	YG=Yellow/Green


ADAM-P/N	Color
REB-B4D-OR	ORANGE
REB-B4D-BU	BLUE
REB-B4D-GY	GRAY
REB-B4D-YG	YELLOW/GREEN

UNLESS OTHERWISE SPECIFIED ALL DIMENSIONS ARE INCHES [MM]. TOLERANCES: EXCEPT AS NOTED

INCHES		HOLES	
.X	± .10	ØX	±.10
.XX	± .020	ØXX	±.015
.XXX	± .015	ØXXX	±.010

DRAWN	JJ	10/7/22
CHECKED	RC	10/7/22
APPROVED		

THIS DRAWING CONTAINS INFORMATION THAT IS PROPRIETARY AND SHOULD NOT BE USED WITHOUT PRIOR WRITTEN PERMISSION FROM ADAM TECH

**ADAM TECH** 

909 Rahway Avenue,  
 Union, NJ 07083  
 Phone: 908-687-5000  
 Fax: 908-687-5710

TITLE		REV.
DIN RAIL TERMINAL BLOCKS, GUV 4 HOLE, 6.0 FLEXIBLE		A
SIZE	PART NO.	
X	REB-B4D-XX	
REF:	S00067C	SHEET 1 OF 1