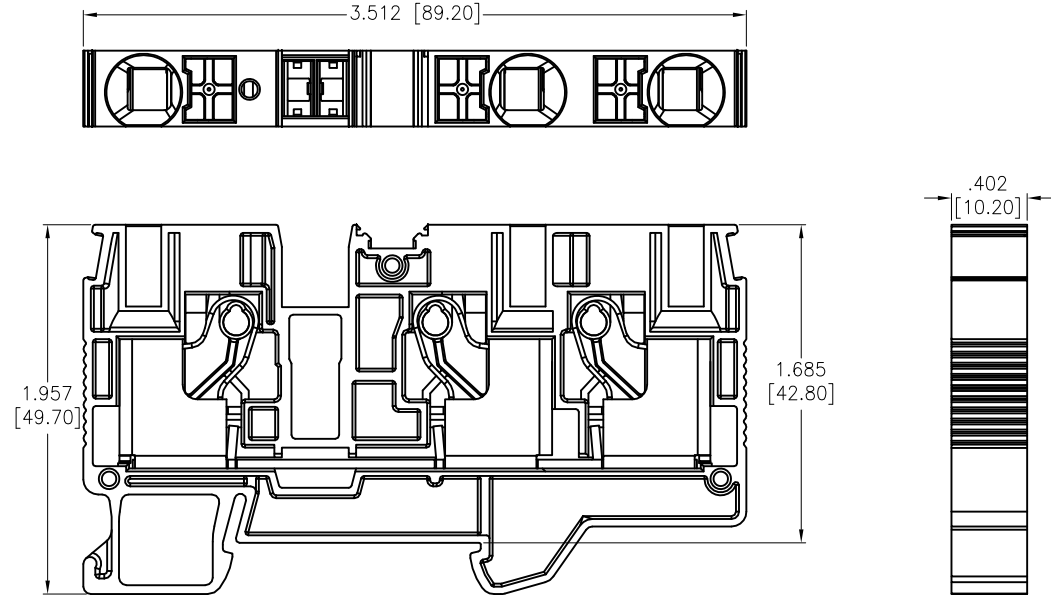
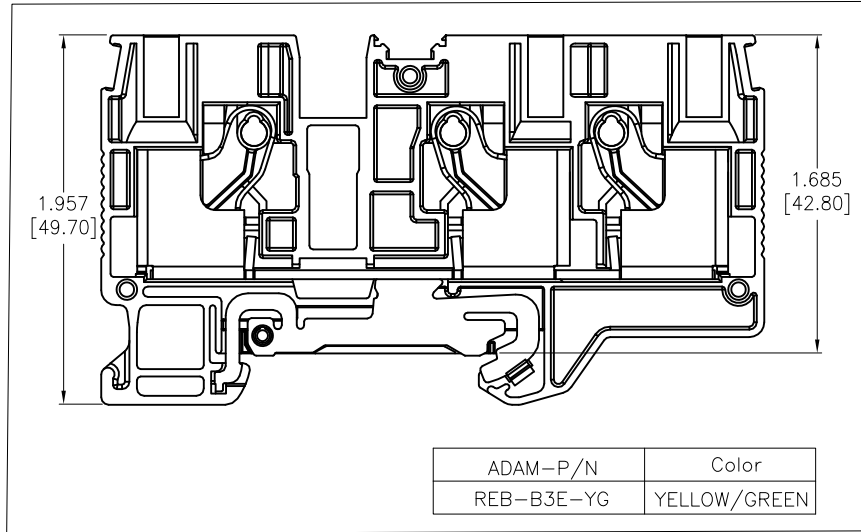


APPROVED: \_\_\_\_\_

DATE: \_\_\_\_\_ TITLE: \_\_\_\_\_

Rev	AWO #	Description	Date	Appr
-		RELEASED	10/7/22	
A		UPDATE SPEC.	9/8/23	LH/RC

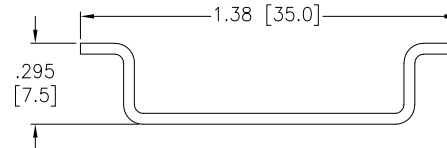


**RECOMMENDED RAIL SIZE**  
35.0mm X 7.5mm

Color
OR=Orange
BU=Blue
GY=Gray
YG=Yellow/Green

REB-B 3 E -XX

Solid/Stranded:
Solid: 20-6 Awg (0.5-16.0mm <sup>2</sup> )
Stranded: 20-8 Awg (0.5-10.0mm <sup>2</sup> )



ADAM-P/N	Color
REB-B3E-OR	ORANGE
REB-B3E-BU	BLUE
REB-B3E-GY	GRAY
REB-B3E-YG	YELLOW/GREEN

**SPECIFICATIONS:**

**Material:**  
Insulator: PA66, rated UL 94V-0  
Insulator Color: See Chart  
Contacts: Copper Alloy, Tin Plated  
**Electrical:**  
Voltage rating: 600 VAC  
Current rating: 60 Amp  
Dielectric withstanding voltage: 2200 VAC for 1 minute  
**Mechanical:**  
Recommended Wire Size:  
Solid: 20-6 Awg (0.5-16.0mm<sup>2</sup>)  
Stranded: 20-8 Awg (0.5-10.0mm<sup>2</sup>)  
Stripping Length: .709" (18mm)  
Temperature Rating:  
Operating temperature: -40°C to +105°C  
**Environmental:**  
Lead free, RoHS compliant.



UNLESS OTHERWISE SPECIFIED ALL DIMENSIONS ARE INCHES [MM]. TOLERANCES: EXCEPT AS NOTED

INCHES		HOLES	
.X	± .10	∅X	±.10
.XX	± .020	∅XX	±.015
.XXX	± .015	∅XXX	±.010

DRAWN	WX	10/7/22
CHECKED	RC	10/7/22
APPROVED		

THIS DRAWING CONTAINS INFORMATION THAT IS PROPRIETARY AND SHOULD NOT BE USED WITHOUT PRIOR WRITTEN PERMISSION FROM ADAM TECH

**ADAM TECH**

909 Rahway Avenue,  
Union, NJ 07083  
Phone: 908-687-5000  
Fax: 908-687-5710

TITLE		
RAILWAYTERMINAL, GUV 3 HOLE, 10 FLEXIBLE		
SIZE	PART NO.	REV.
X	REB-B3E-XX	A
REF:	S00067C	SHEET 1 OF 1

SCALE: NTS