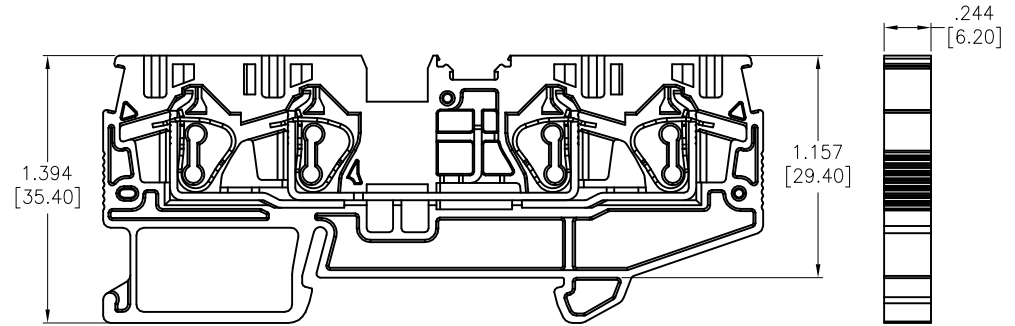
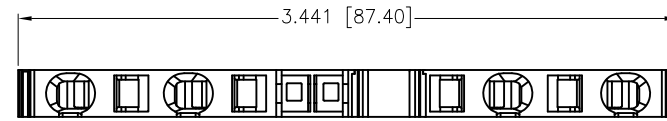
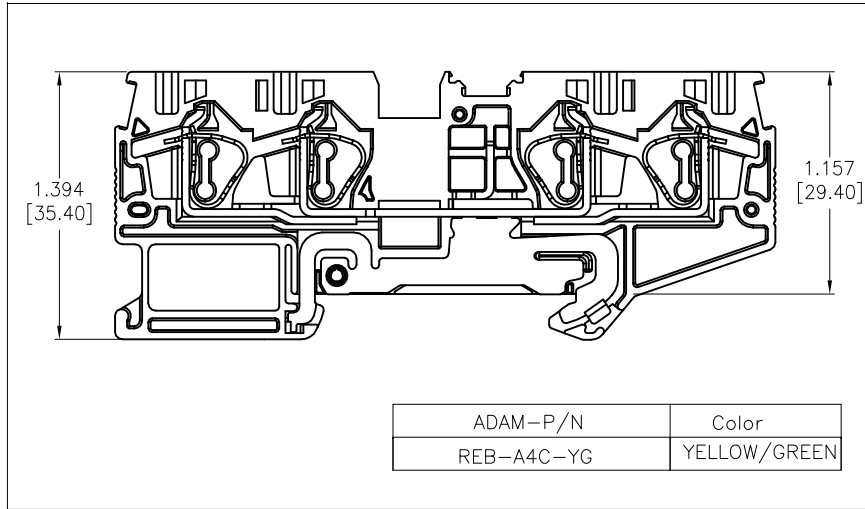


APPROVED: \_\_\_\_\_

DATE: \_\_\_\_\_ TITLE: \_\_\_\_\_

Rev	AWO #	Description	Date	Appr
-		RELEASED	10/7/22	
A		UPDATE SPEC.	9/8/23	LH/RC

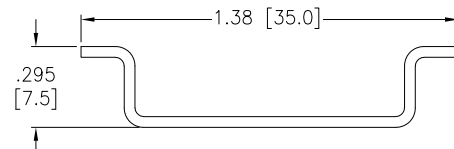


**SPECIFICATIONS:**

Material:  
 Insulator: PA66, rated UL 94V-0  
 Insulator color: See chart  
 Contacts: Copper Alloy, Tin Plated  
 Electrical:  
 Voltage rating: 600V  
 Current rating: 30A  
 Dielectric withstanding voltage: 2,200 VAC for 1 minute  
 Mechanical:  
 Recommended Wire Size:  
 Solid: 24-10AWG (0.2-6.0mm<sup>2</sup>)  
 Stranded: 24-12AWG (0.2-4.0mm<sup>2</sup>)  
 Stripping Length: .315"~.394" (8-10mm)  
 Temperature Rating:  
 Operating temperature: -40°C to +105°C  
 Environmental:  
 Lead free, RoHS compliant.



**RECOMMENDED RAIL SIZE**  
35.0mm X 7.5mm



REB-A 4 C -XX

Solid/Stranded:
Solid: 24-10 Awg (0.2-6.0mm <sup>2</sup> )
Stranded: 24-12 Awg (0.2-4.0mm <sup>2</sup> )

Color
OR=Orange
BU=Blue
GY=Gray
YG=Yellow/Green

ADAM-P/N	Color
REB-A4C-BU	BLUE
REB-A4C-GY	GRAY
REB-A4C-YG	YELLOW/GREEN

UNLESS OTHERWISE SPECIFIED ALL DIMENSIONS ARE INCHES [MM]. TOLERANCES: EXCEPT AS NOTED

INCHES		HOLES	
.X	± .10	∅X	± .10
.XX	± .020	∅XX	± .015
.XXX	± .015	∅XXX	± .010

DRAWN	WX	10/7/22
CHECKED	RC	10/7/22
APPROVED		

THIS DRAWING CONTAINS INFORMATION THAT IS PROPRIETARY AND SHOULD NOT BE USED WITHOUT PRIOR WRITTEN PERMISSION FROM ADAM TECH

**ADAM TECH**

909 Rahway Avenue,  
 Union, NJ 07083  
 Phone: 908-687-5000  
 Fax: 908-687-5710

TITLE		REV. A
DIN RAIL TERMINAL BLOCKS, GUS, 4HOLE, 4.0 FLEXIBLE		
SIZE X	PART NO. REB-A4C-XX	
REF: S00067C	SCALE: NTS	SHEET 1 OF 1