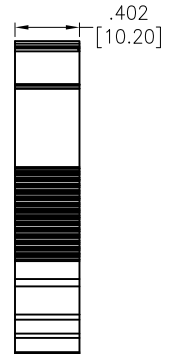
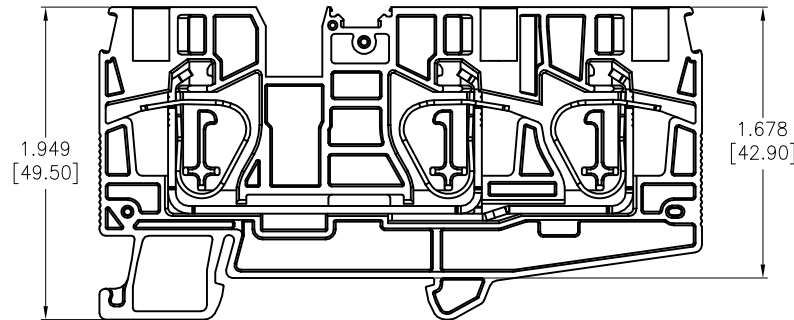
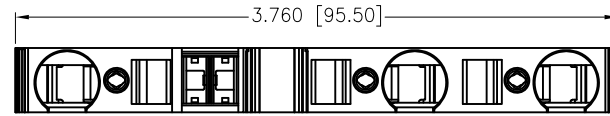
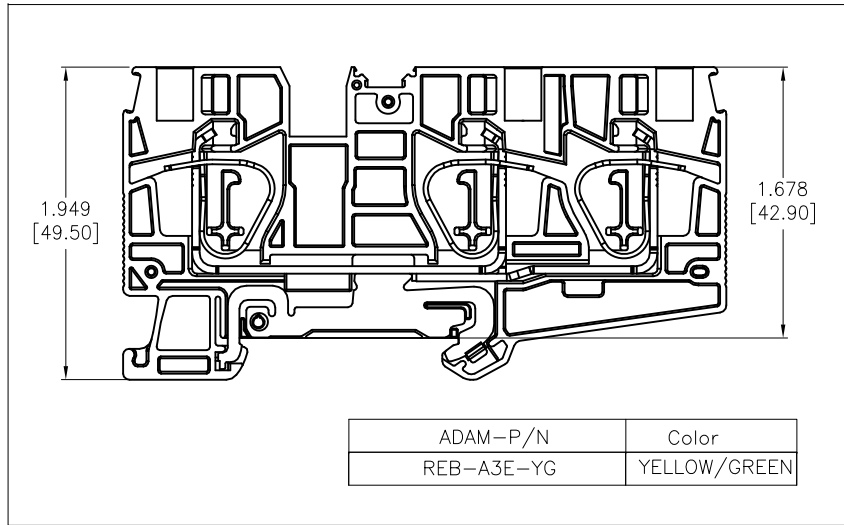


APPROVED: _____

DATE: _____ TITLE: _____

Rev	AWO #	Description	Date	Appr
-		RELEASED	10/7/22	
A		UPDATE SPEC.	9/8/23	LH/RC



SPECIFICATIONS:

Material:

Insulator: PA66, rated UL 94V-0

Insulator color: See chart

Contacts: Copper Alloy, Tin Plated

Plating:

Electrical:

Voltage rating: 600V

Current rating: 65A

Dielectric withstanding voltage: 2,200 VAC for 1 minute

Mechanical:

Recommended Wire Size:

Solid: 24-6AWG (0.2-16.0mm²)


Stranded: 24-8AWG (0.2-10.0mm²)

Stripping Length: .709" (18mm)

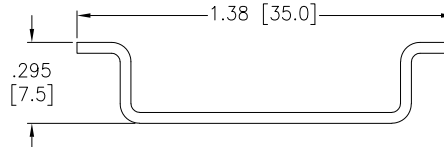
Temperature Rating:

Operating temperature: -40°C to +105°C

Environmental:

Lead free, RoHS compliant. 

RECOMMENDED RAIL SIZE
35.0mm X 7.5mm



Color
OR=Orange
BU=Blue
GY=Gray
YG=Yellow/Green

ADAM-P/N	Color
REB-A3E-BU	BLUE
REB-A3E-GY	GRAY
REB-A3E-YG	YELLOW/GREEN

UNLESS OTHERWISE SPECIFIED ALL DIMENSIONS ARE INCHES [MM]. TOLERANCES: EXCEPT AS NOTED

INCHES		HOLES	
.X	± .10	∅X	± .10
.XX	± .020	∅XX	± .015
.XXX	± .015	∅XXX	± .010

DRAWN	WX	10/7/22
CHECKED	RC	10/7/22
APPROVED		

THIS DRAWING CONTAINS INFORMATION THAT IS PROPRIETARY AND SHOULD NOT BE USED WITHOUT PRIOR WRITTEN PERMISSION FROM ADAM TECH

ADAM TECH 

909 Rahway Avenue,
Union, NJ 07083
Phone: 908-687-5000
Fax: 908-687-5710

TITLE DIN RAIL TERMINAL BLOCKS, GUS, 3HOLE, 10.0 FLEXIBLE		
SIZE X	PART NO. REB-A3E-XX	REV. A
REF: S00067C	SCALE: NTS	SHEET 1 OF 1