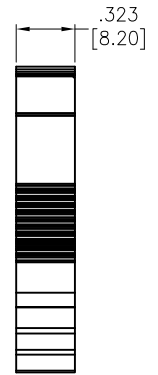
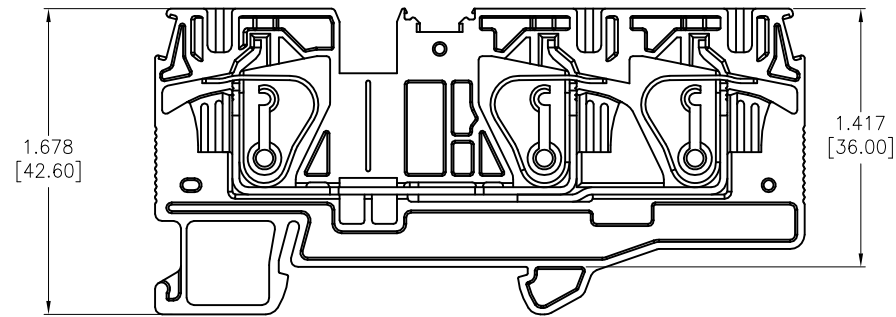
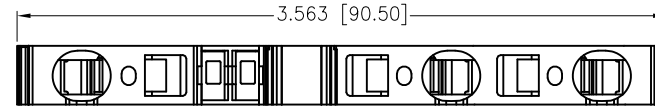
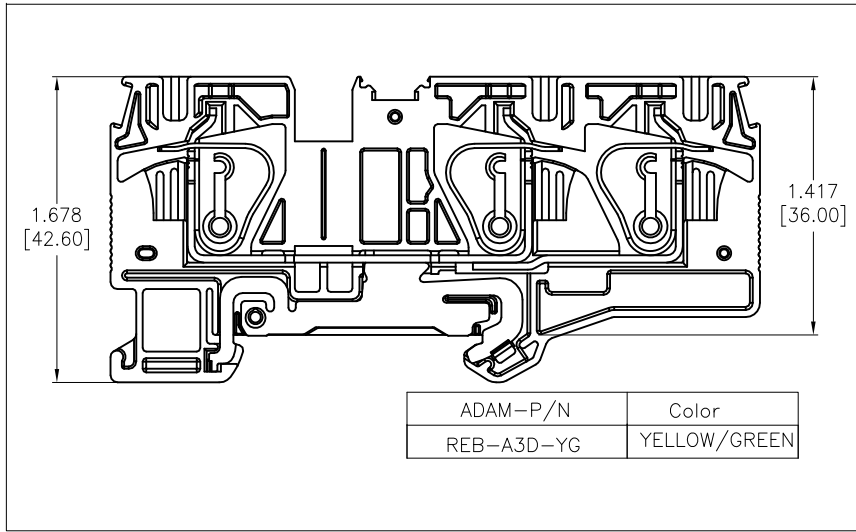


APPROVED: \_\_\_\_\_

DATE: \_\_\_\_\_ TITLE: \_\_\_\_\_

Rev	AWO #	Description	Date	Appr
-		RELEASED	10/7/22	
A		UPDATE SPEC.	9/8/23	LH/RC



**SPECIFICATIONS:**

**Material:**

Insulator: PA66, rated UL 94V-0

Insulator color: See chart

Contacts: Copper Alloy, Tin Plated

**Plating:**

**Electrical:**

Voltage rating: 600V

Current rating: 50A

Dielectric withstanding voltage: 2,200 VAC for 1 minute

**Mechanical:**

Recommended Wire Size:

Solid: 24-8AWG (0.2-10.0mm<sup>2</sup>)


Stranded: 24-10AWG (0.2-6.0mm<sup>2</sup>)

Stripping Length: .472" (12mm)

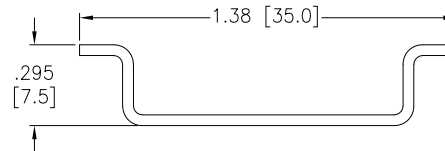
Temperature Rating:

Operating temperature: -40°C to +105°C

**Environmental:**

Lead free, RoHS compliant. 

**RECOMMENDED RAIL SIZE**  
35.0mm X 7.5mm



REB-A 3 D -XX

Solid/Stranded:
Solid: 24-8 Awg (0.2-10.0mm <sup>2</sup> )
Stranded: 24-10 Awg (0.2-6.0mm <sup>2</sup> )

Color
OR=Orange
BU=Blue
GY=Gray
YG=Yellow/Green

ADAM-P/N	Color
REB-A3D-BU	BLUE
REB-A3D-GY	GRAY
REB-A3D-YG	YELLOW/GREEN

UNLESS OTHERWISE SPECIFIED ALL DIMENSIONS ARE INCHES [MM]. TOLERANCES: EXCEPT AS NOTED

INCHES		HOLES	
.X	± .10	∅X	±.10
.XX	± .020	∅XX	±.015
.XXX	± .015	∅XXX	±.010

**ADAM TECH**

909 Rahway Avenue,  
Union, NJ 07083  
Phone: 908-687-5000  
Fax: 908-687-5710

DRAWN	WX	10/7/22
CHECKED	RC	10/7/22
APPROVED		
THIS DRAWING CONTAINS INFORMATION THAT IS PROPRIETARY AND SHOULD NOT BE USED WITHOUT PRIOR WRITTEN PERMISSION FROM ADAM TECH		

TITLE		DIN RAIL TERMINAL BLOCKS, GUS, 3 HOLE, 6.0 FLEXIBLE	
SIZE	PART NO.	REV.	
X	REB-A3D-XX	A	
REF:	S00067C	SCALE:	NTS
		SHEET	1 OF 1