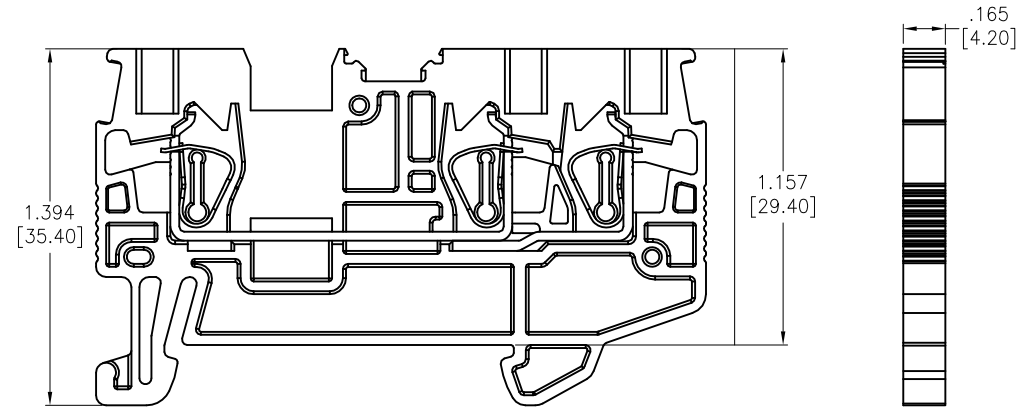
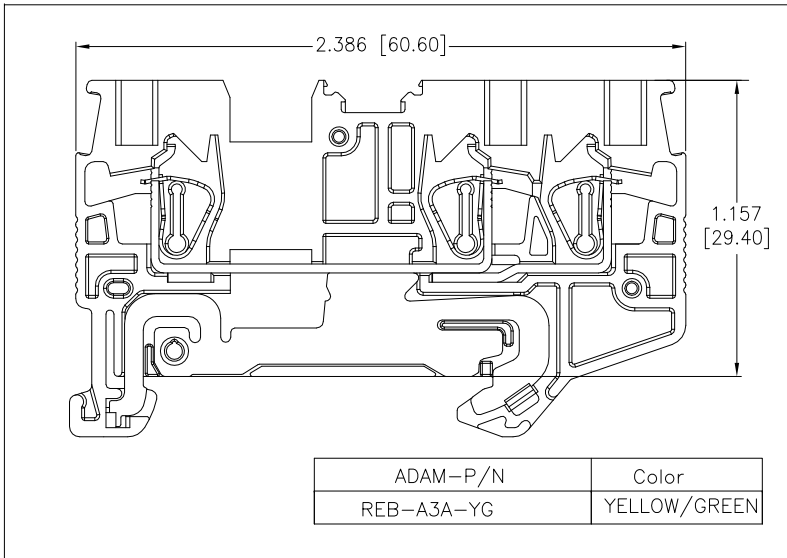
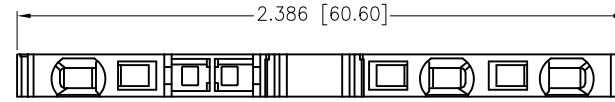


APPROVED: _____

DATE: _____ TITLE: _____

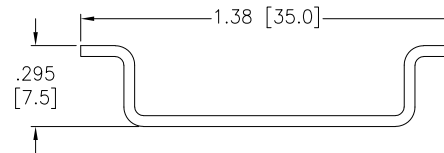
Rev	AWO #	Description	Date	Aprr
-		RELEASED	10/7/22	
A		UPDATE SPEC.	9/8/23	LH/RC



RECOMMENDED RAIL SIZE
35.0mm X 7.5mm

Color
OR=Orange
BU=Blue
GY=Gray
YG=Yellow/Green

ADAM-P/N	Color
REB-A3A-BU	BLUE
REB-A3A-GY	GRAY
REB-A3A-YG	YELLOW/GREEN



SPECIFICATIONS:

Material:
 Insulator: PA66, rated UL 94V-0
 Insulator color: See chart
 Contacts: Copper Alloy, Tin Plated
 Electrical:
 Voltage rating: 300V
 Current rating: 15A
 Dielectric withstanding voltage: 1,600 VAC for 1 minute
 Mechanical:
 Recommended Wire Size:
 Solid: 24-16AWG (0.2-1.5mm²)
 Stranded: 24-16AWG (0.2-1.5mm²)
 Stripping Length: .315"-.394" (8-10mm)
 Temperature Rating:
 Operating temperature: -40°C to +105°C
 Environmental:
 Lead free, RoHS compliant.



UNLESS OTHERWISE SPECIFIED ALL DIMENSIONS ARE INCHES [MM]. TOLERANCES: EXCEPT AS NOTED		
INCHES	HOLES	
.X ± .10	ØX	±.10
.XX ± .020	ØXX	±.015
.XXX ± .015	ØXXX	±.010

DRAWN	WX	10/7/22
CHECKED	RC	10/7/22
APPROVED		

THIS DRAWING CONTAINS INFORMATION THAT IS PROPRIETARY AND SHOULD NOT BE USED WITHOUT PRIOR WRITTEN PERMISSION FROM ADAM TECH

ADAM TECH 909 Rahway Avenue,
 Union, NJ 07083
 Phone: 908-687-5000
 Fax: 908-687-5710

TITLE		REV.
DIN RAIL TERMINAL BLOCKS, GUS, 3HOLE, 1.5 FLEXIBLE		A
SIZE X	PART NO. REB-A3A-XX	
REF: S00067C	SCALE: NTS	SHEET 1 OF 1