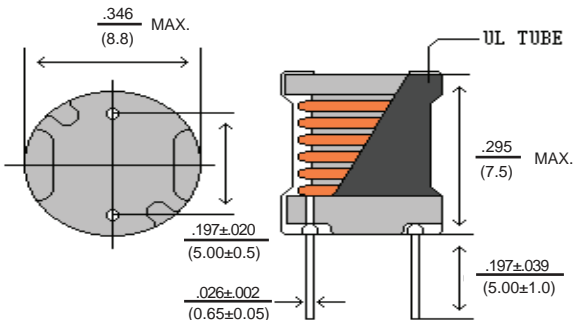


RB0807 Radial Bobbin Inductors



Dimensions: $\frac{\text{Inches}}{\text{(mm)}}$



Features

- Small Foot Print.
- Extensive Inductance Range
- UL Polyolefin Tubing

Electrical

Inductance Range: 2.2uh ~ 18,000uh

Tolerance: 10% over entire range.

Test Frequency: 100KHz, .01V

Operating Temperature: -55°C to +125°C.

Isat: Based on Inductance change by no more than 10% of initial value.

Irms: Current at which the temperature of the part will increase by 20° and 40° as shown from 25° ambient.

Under no circumstances should the temperature of the part increase to more than 125°C

Test Equipment

Inductance: HP4284A.

DCR: CH-301 Current Source & DCR Meter

Current: CH-301 Current Source & DCR Meter

SRF: 9461L

Physical

Packaging: 600 pieces per bag.

Marking: EIA Inductance Code

| Allied Part Number | Inductance (μh) | Tolerance (%) | DCR Max. (Ω) | SRF Min. (MHz) | Isat (A) | Irms (A) | |
|--------------------|-----------------|---------------|--------------|----------------|----------|-----------|-----------|
| | | | | | | 20°C Rise | 40°C Rise |
| RB0807-2R2K-RC | 2.2 | 10 | 0.012 | 80 | 6.00 | 5.00 | 7.50 |
| RB0807-2R7K-RC | 2.7 | 10 | 0.014 | 40 | 5.50 | 4.60 | 6.54 |
| RB0807-3R3K-RC | 3.3 | 10 | 0.017 | 40 | 5.00 | 4.20 | 5.97 |
| RB0807-3R9K-RC | 3.9 | 10 | 0.020 | 40 | 4.50 | 3.70 | 5.26 |
| RB0807-4R7K-RC | 4.7 | 10 | 0.024 | 40 | 4.20 | 3.50 | 4.98 |
| RB0807-5R6K-RC | 5.6 | 10 | 0.028 | 40 | 4.00 | 3.40 | 4.83 |
| RB0807-6R8K-RC | 6.8 | 10 | 0.033 | 30 | 3.60 | 3.20 | 4.55 |
| RB0807-8R2K-RC | 8.2 | 10 | 0.035 | 30 | 3.30 | 3.00 | 4.27 |
| RB0807-100K-RC | 10 | 10 | 0.040 | 30 | 3.10 | 3.00 | 4.20 |
| RB0807-120K-RC | 12 | 10 | 0.050 | 30 | 2.80 | 2.50 | 3.56 |
| RB0807-150K-RC | 15 | 10 | 0.065 | 25 | 2.50 | 2.25 | 3.20 |
| RB0807-180K-RC | 18 | 10 | 0.078 | 20 | 2.30 | 2.07 | 2.94 |
| RB0807-220K-RC | 22 | 10 | 0.100 | 20 | 2.10 | 1.90 | 2.70 |
| RB0807-270K-RC | 27 | 10 | 0.110 | 17 | 1.90 | 1.70 | 2.42 |
| RB0807-330K-RC | 33 | 10 | 0.120 | 15 | 1.70 | 1.50 | 2.13 |
| RB0807-390K-RC | 39 | 10 | 0.160 | 13 | 1.60 | 1.45 | 2.06 |
| RB0807-470K-RC | 47 | 10 | 0.190 | 12 | 1.45 | 1.30 | 1.85 |
| RB0807-560K-RC | 56 | 10 | 0.210 | 11 | 1.30 | 1.20 | 1.71 |
| RB0807-680K-RC | 68 | 10 | 0.280 | 10 | 1.20 | 1.10 | 1.56 |
| RB0807-820K-RC | 82 | 10 | 0.330 | 9 | 1.10 | 1.00 | 1.42 |
| RB0807-101K-RC | 100 | 10 | 0.400 | 8 | 1.00 | 0.90 | 1.30 |
| RB0807-121K-RC | 120 | 10 | 0.450 | 7 | 0.90 | 0.80 | 1.14 |
| RB0807-151K-RC | 150 | 10 | 0.510 | 6 | 0.80 | 0.72 | 1.02 |
| RB0807-181K-RC | 180 | 10 | 0.700 | 5 | 0.70 | 0.63 | 0.90 |
| RB0807-221K-RC | 220 | 10 | 0.800 | 5 | 0.65 | 0.60 | 0.85 |
| RB0807-271K-RC | 270 | 10 | 0.900 | 4.5 | 0.60 | 0.55 | 0.78 |
| RB0807-331K-RC | 330 | 10 | 1.16 | 4.5 | 0.55 | 0.50 | 0.71 |
| RB0807-391K-RC | 390 | 10 | 1.31 | 3.5 | 0.45 | 0.40 | 0.57 |
| RB0807-471K-RC | 470 | 10 | 1.75 | 2.9 | 0.40 | 0.36 | 0.51 |
| RB0807-561K-RC | 560 | 10 | 1.95 | 2.7 | 0.38 | 0.35 | 0.50 |
| RB0807-681K-RC | 680 | 10 | 2.20 | 2.6 | 0.35 | 0.31 | 0.44 |
| RB0807-821K-RC | 820 | 10 | 3.00 | 2.6 | 0.32 | 0.29 | 0.41 |
| RB0807-102K-RC | 1000 | 10 | 3.40 | 2.6 | 0.30 | 0.25 | 0.40 |
| RB0807-122K-RC | 1200 | 10 | 4.50 | 2.3 | 0.28 | 0.24 | 0.34 |
| RB0807-152K-RC | 1500 | 10 | 5.20 | 2.1 | 0.25 | 0.21 | 0.30 |
| RB0807-182K-RC | 1800 | 10 | 5.80 | 1.8 | 0.22 | 0.20 | 0.28 |
| RB0807-222K-RC | 2200 | 10 | 8.00 | 1.5 | 0.20 | 0.18 | 0.26 |
| RB0807-272K-RC | 2700 | 10 | 8.90 | 1.2 | 0.18 | 0.17 | 0.24 |
| RB0807-332K-RC | 3300 | 10 | 11.8 | 1.1 | 0.15 | 0.14 | 0.19 |
| RB0807-392K-RC | 3900 | 10 | 13.1 | 1.0 | 0.12 | 0.11 | 0.16 |
| RB0807-472K-RC | 4700 | 10 | 17.6 | 1.0 | 0.10 | 0.10 | 0.15 |
| RB0807-562K-RC | 5600 | 10 | 19.6 | 0.9 | 0.10 | 0.10 | 0.15 |
| RB0807-682K-RC | 6800 | 10 | 27.0 | 0.8 | 0.10 | 0.10 | 0.14 |
| RB0807-822K-RC | 8200 | 10 | 30.0 | 0.7 | 0.10 | 0.10 | 0.14 |
| RB0807-103K-RC | 10000 | 10 | 34.0 | 0.7 | 0.10 | 0.10 | 0.13 |
| RB0807-123K-RC | 12000 | 10 | 46.0 | 0.6 | 0.08 | 0.10 | 0.13 |
| RB0807-153K-RC | 15000 | 10 | 53.0 | 0.5 | 0.06 | 0.08 | 0.11 |
| RB0807-183K-RC | 18000 | 10 | 56.0 | 0.5 | 0.05 | 0.08 | 0.10 |

All specifications subject to change without notice.