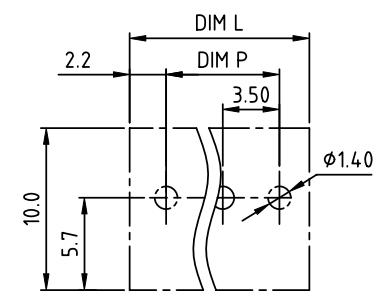
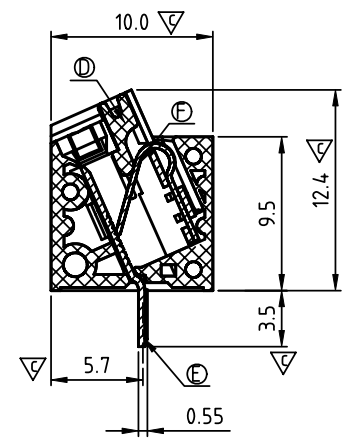
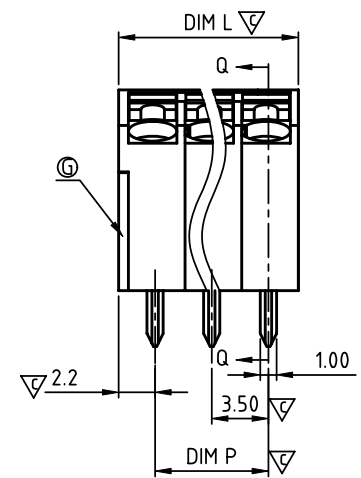
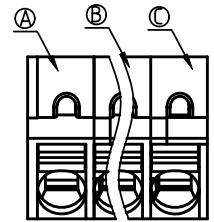


| SIGN | DATE | DESCRIPTION | APPROVER |
|------|----------|------------------------------------|----------|
| △ | 08/22/13 | Add is cULus // update the drawing | Da cheng |

THIS IS CAD DRAWING, DO NOT REVISE MANUALLY!!!



△ P.C.B Layout
Top view

△ N = Number of poles

$$\text{DimL} = N \times 3.5 + 0.6$$

$$\text{DimP} = (N - 1) \times 3.5$$

| POLES | DIM L | DIM P |
|---------|-------|-------|
| 2p-4p | ±0.1 | ±0.1 |
| 5p-8p | ±0.2 | ±0.2 |
| 9p-12p | ±0.3 | ±0.3 |
| 13p-16p | ±0.4 | ±0.4 |

- Material:
- Item A Terminal with cover of body: Thermoplastic (UL94V-0)
 - Item B Terminal normal body: Thermoplastic (UL94V-0)
 - Item C Terminal side body: Thermoplastic (UL94V-0)
 - △ ● Item D Terminal lever: Thermoplastic (UL94V-0) Orange(RAL2011/P)
 - Item E Female Contact : Brass. Tin Plated.
 - Item F Spring clamp : Stainless steel
 - Item G Terminal cover: Thermoplastic (UL94V-0)
- Electrical: cULus
- Voltage rating: 300 V
 - Current rating: 10A
 - Wire range:
 - Solid wire(AWG): 16-26
 - Stranded wire(AWG): 16-26
 - Wire strip length: 8-9 mm
 - Withstanding Voltage: 1.6 KV
 - Operating temperature: -40°C to +115°C
 - Soldering temperature: 260°C ±5°C/5 Sec
 - △ ● Safety Approval:
 - Critical dimension: ▽

NH xx 1 0 x 0 xxxx G

- △ No. OF POLES: 02: 2 POLES, 16: 16 POLES
- △ Body Color: 0 Black (RAL9005), 2 Red (RAL3001/D), 3 Orange(RAL2011/P), 4 Yellow(RAL1018/A), 5 Green(RAL6018/T), 6 Blue (RAL5015/A), 8 Grey(RAL7004/P), 9 White(RAL1102), C Multiple colors
- RoHS compliant (lead<4%) In copper Alloy
- 0000: "@" Logo (Standard)
- 000A: "ANYTEK" Mark
- Any special item by customer request. please contact sales department.

ANYTEK

CUSTOMER COPY

ALL RIGHTS RESERVED. REPRODUCTION OR ISSUE TO THIRD PARTIES IN ANY FORM WHATSOEVER IS NOT PERMITTED WITHOUT WRITTEN AUTHORITY FROM THE PROPRIETOR. PROPERTY OF ANYTEK TECHNOLOGY CO., LTD

| | | | | |
|----------|---------------|------------------------|------------------------|------------|
| TITLE | | NH 3.5mm Series | | |
| PART NO. | NHxx10x0xxxxG | DWG NO. | 8NH0001 | |
| APPROVED | CHECKED | DESIGNED | DRAWN | CUST NO. |
| | | Da cheng 2013.08.22 | Da cheng 2013.08.22 | |
| | | | | Tolerance |
| | | | | X. ±0.50 |
| | | | | X.X ±0.30 |
| | | | | X.XX ±0.10 |
| | | | | X° ±1° |

UNIT: mm
SCALE: NONE
SHEET: 01/01
REV.: C