

**NEW**

# PTS850 Series 5.4x5mm SMT Side Actuated Tact

## Features/Benefits

- 5.4 x 5.0 x 1.8 mm package
- SMT termination
- Side actuated with or without boss design
- 180 & 350 gf versions
- Lifecycles 50K

## Typical Applications

- Headphone/ Headset
- Health monitoring
- Sports watch
- Black box
- Bluetooth accessory
- Navigation



## Specifications

FUNCTION: momentary action  
 CONTACT ARRANGEMENT: 1 make contact = SPST N.O.  
 TERMINALS: SMT termination  
 TRAVEL: 0.2 mm ± 0.1 mm  
 LIFE: 50,000 cycles

## Electrical

MAXIMUM VOLTAGE: 12 VDC  
 MAXIMUM CURRENT DC: 50 mA  
 CONTACT RESISTANCE: 500 mΩ  
 INSULATION RESISTANCE: 100 MΩ min.

## Environmental

OPERATING TEMPERATURE: -40°C to 85°C  
 STORAGE TEMPERATURE: -30°C to 85°C

## Process

SOLDERING: This component is suited to the following methods:  
 Infrared Reflow Soldering in accordance with IEC61760-1

## Packaging

2,000 pieces per reel

## NOTE:

- The PTS series is not certified for using in Automotive application and no PPAP. However, in the case of some automotive accessories and specific applications for 2 and 3 wheeled vehicles the PTS is widely used and very suitable. Please contact your local C&K representative to discuss your application and the best switch solution.

## How To Order

Please see chart below for full part numbers.

Type	Actuation Force (gf)	Stem Colour	Remark
PTS850VM18PSMTR LFS	180 + 80/- 40	Black	With Boss
PTS850VR18PSMTR LFS	350 ± 80	Natural	With Boss
PTS850VM18SMTR LFS	180 + 80/- 40	Black	Without Boss
PTS850VR18SMTR LFS	350 ± 80	Natural	Without Boss

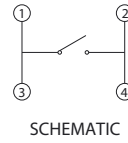
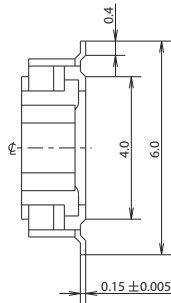
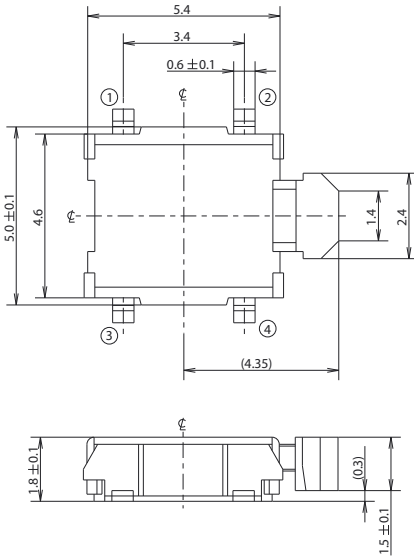
# PTS850 Series 5.4x5mm SMT Side Actuated Tact

**NEW**

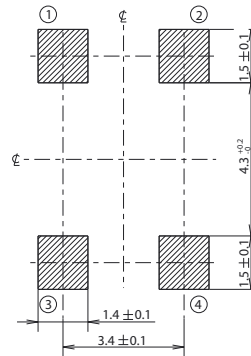
## WITHOUT BOSS

Tactile Switches

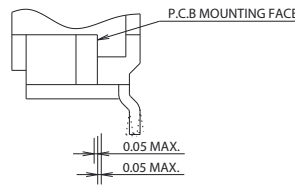
B



### P.C.B. LAYOUT

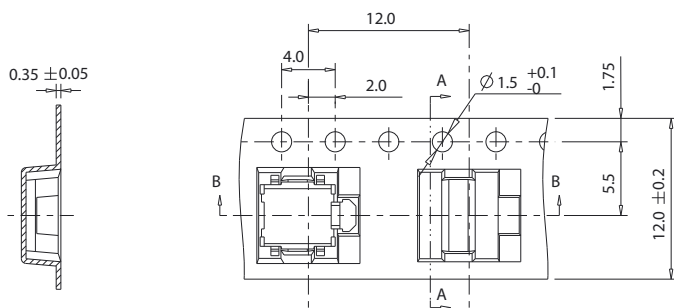


HATCHED AREA SHOWS SOLDERING LAND

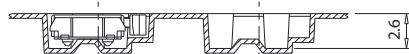


## TAPE & REEL

### CARRIER TAPE



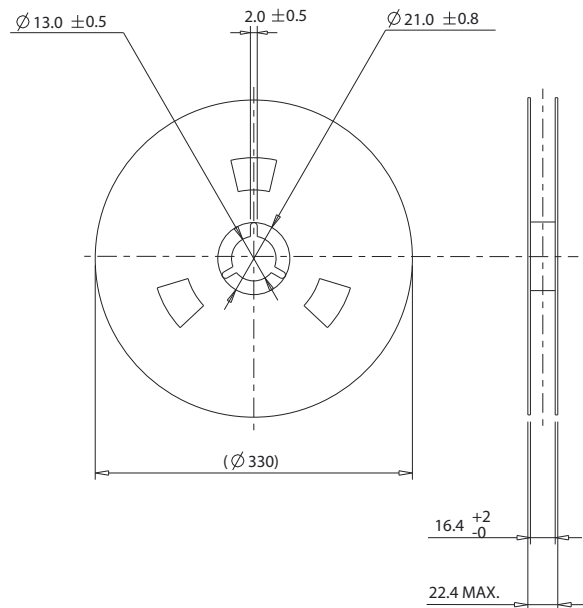
SECTION A-A



SECTION B-B

DRAWING DIRECTION

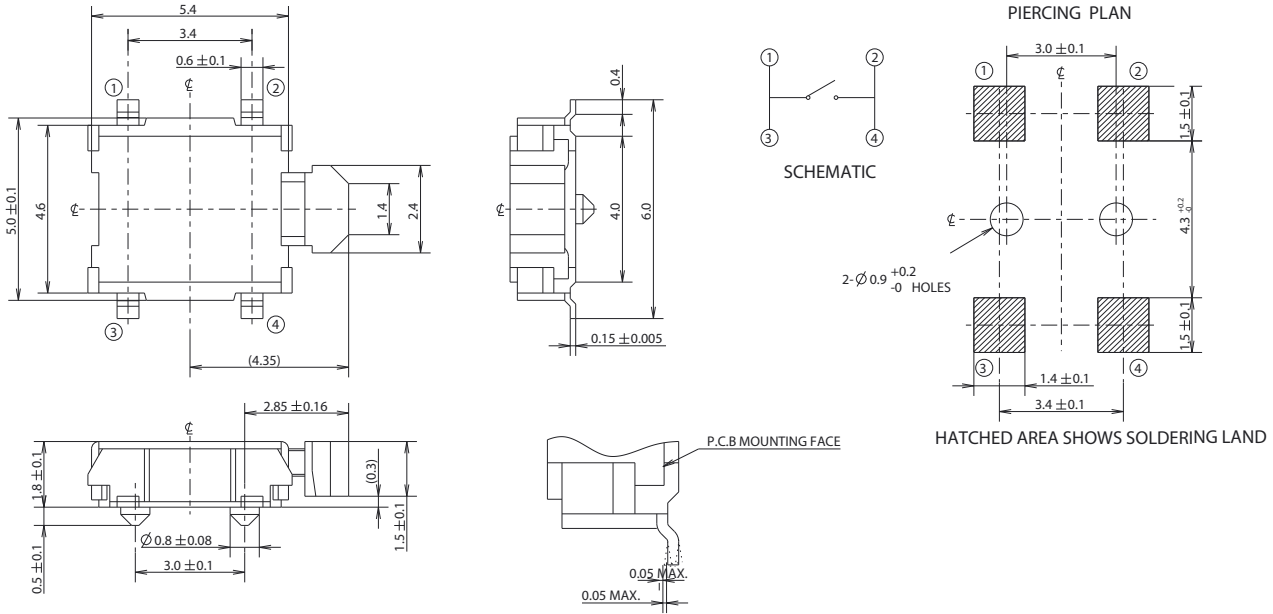
### REEL



**NEW**

# PTS850 Series 5.4x5mm SMT Side Actuated Tact

## WITH BOSS



## TAPE & REEL

