

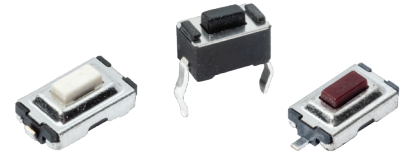
# PTS636 Series 6.0 x 3.5 Top Actuated

## Features/Benefits

- 6.0 x 3.5 mm footprint
- Multiple heights
- THT or SMT type

## Typical Applications

- IoT devices
- Home automation
- Remote controls



## Specification

FUNCTION: Momentary action  
CONTACT ARRANGEMENT: 1 make contact = SPST, N.O.  
TERMINALS: THT, J, G and F type for SMT

## Electrical

MAXIMUM VOLTAGE: 12 VDC  
MAXIMUM CURRENT DC: 50 mA  
DIELECTRIC STRENGTH: 250 VA C (1mn)  
CONTACT RESISTANCE: ≤ 100 m Ω  
INSULATION RESISTANCE: ≥ 100 M Ω  
BOUNCE TIME: ≤ 10 ms  
TRAVEL: 0.25 ± 0.1 mm

## Environmental

OPERATING TEMPERATURE: -40°C to 90°C

## Life Cycles

Height (mm)	Force	Operating Life
2.5mm	180gf ± 30gf	70,000
	250gf ± 50gf	100,000
4.3mm & 5.0mm	130gf ± 50gf	50,000
	180gf ± 50gf	50,000
	250gf ± 50gf	30,000
	320gf ± 50gf	20,000

## Process

SOLDERING: This component is suited to the following methods:  
– Infrared Reflow Soldering in accordance with IEC61760-1

## Packaging

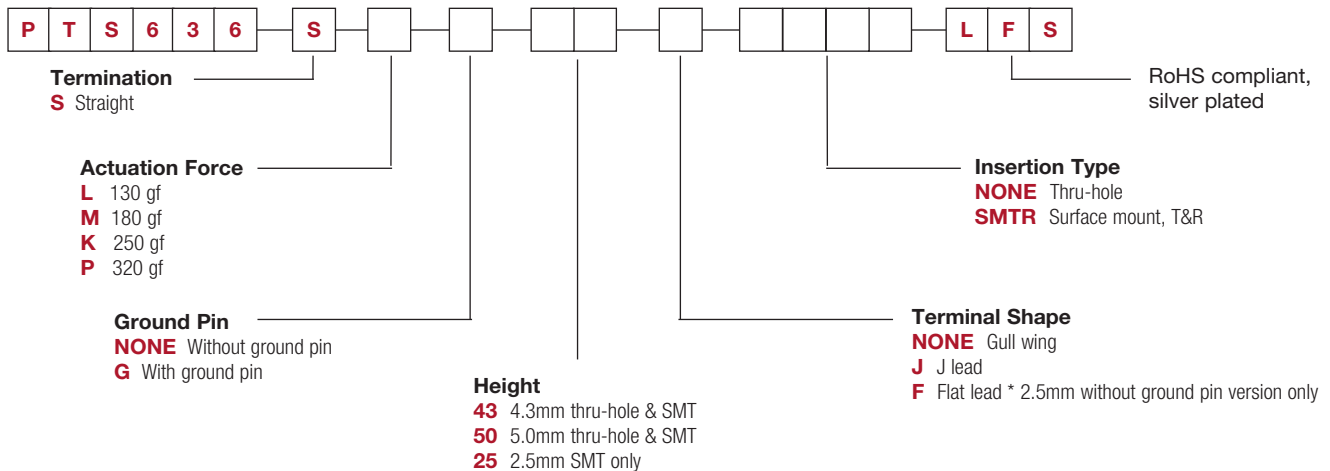
In bags of 1,000 pcs for THT  
In reels of 3,000 pieces for 2.5 mm height  
In reels of 1,500 pieces for 4.3 and 5.0 mm height  
Dimensions of reels according to EIA 481B  
External diameter 330 mm

## NOTE:

- Specifications listed above are for switches with standard options. For information on specific and custom switches, consult Customer Service Center.
- The PTS series is not certified for using in Automotive application and no PPAP. However, in the case of some automotive accessories and specific applications for 2 and 3 wheeled vehicles the PTS is widely used and very suitable. Please contact your local C&K representative to discuss your application and the best switch solution.

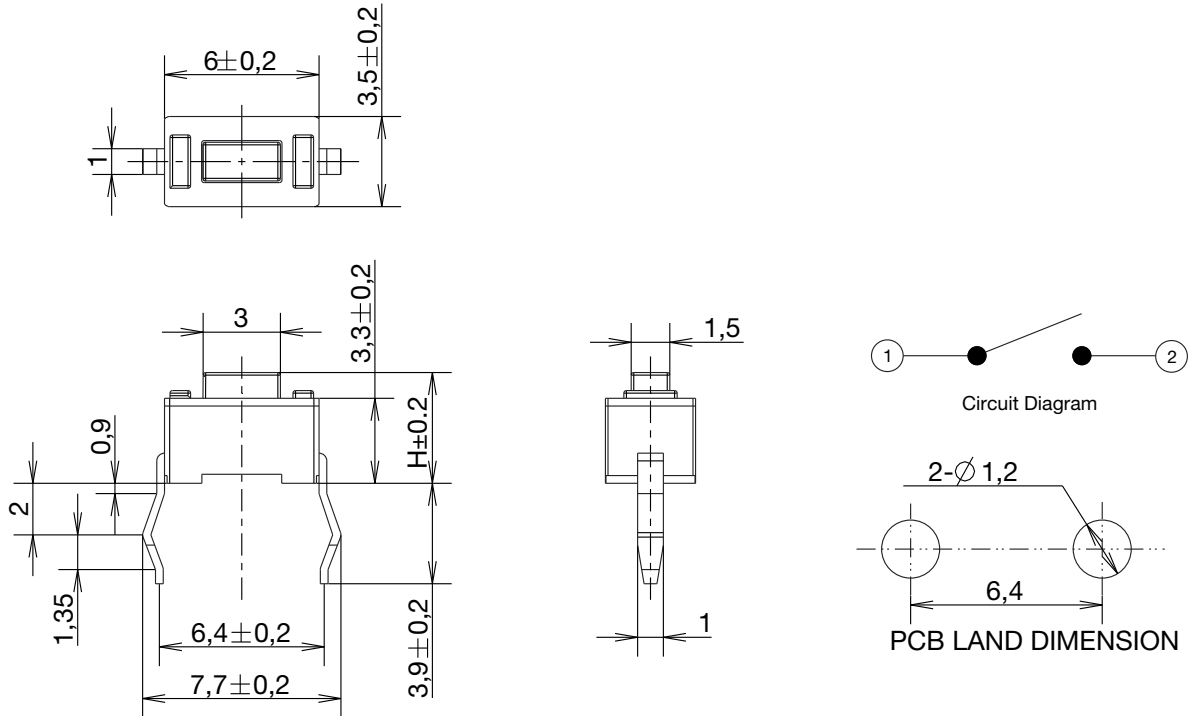
## How To Order

Our easy build-a-switch concept allows you to mix and match options to create the switch you need. To order, select desired option from each category and place it in the appropriate box.

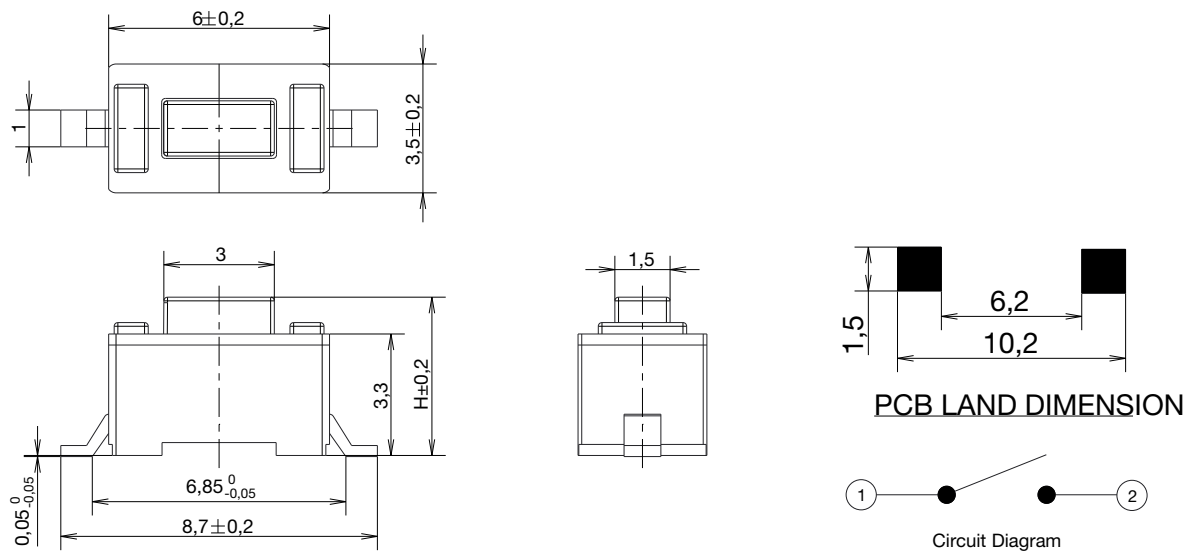


# PTS636 Series 6.0 x 3.5 Top Actuated

THT versions (4.3 & 5.0 mm height)



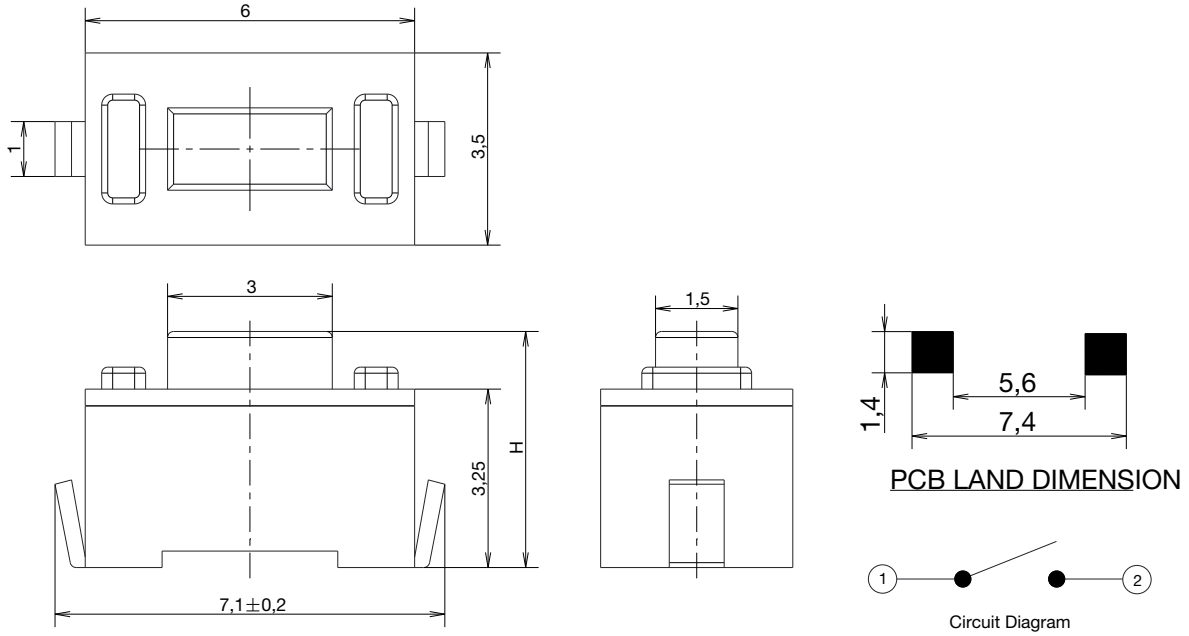
SMT G leads (4.3 & 5.0 mm height)



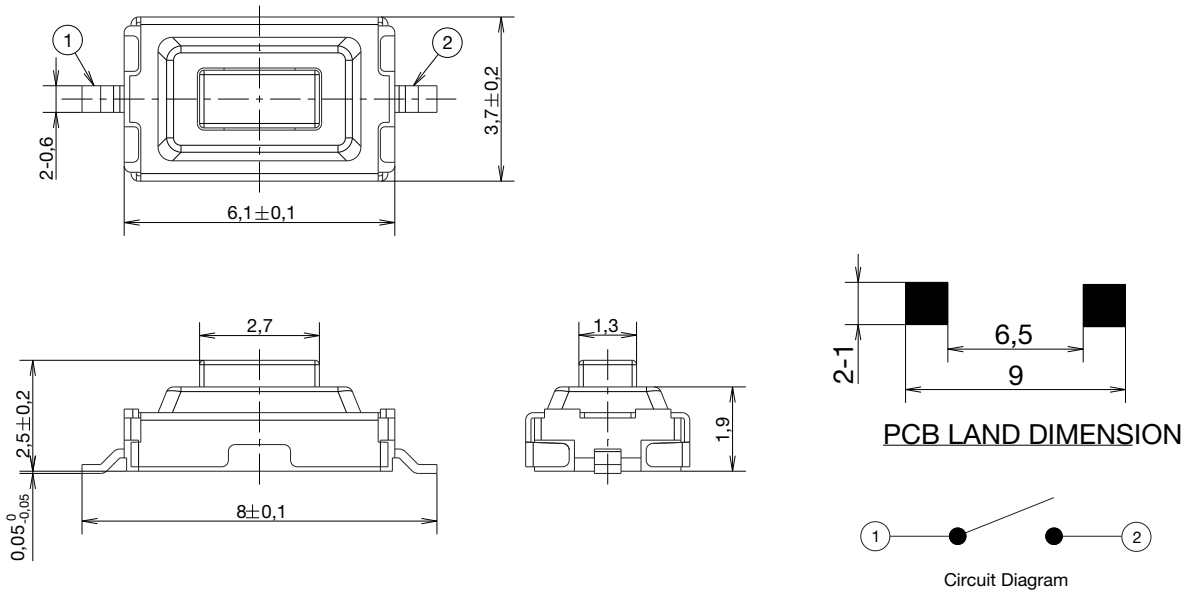
Dimensions are shown: mm  
Specifications and dimensions subject to change

# PTS636 Series 6.0 x 3.5 Top Actuated

## SMT J leads (4.3 & 5.0 mm height)

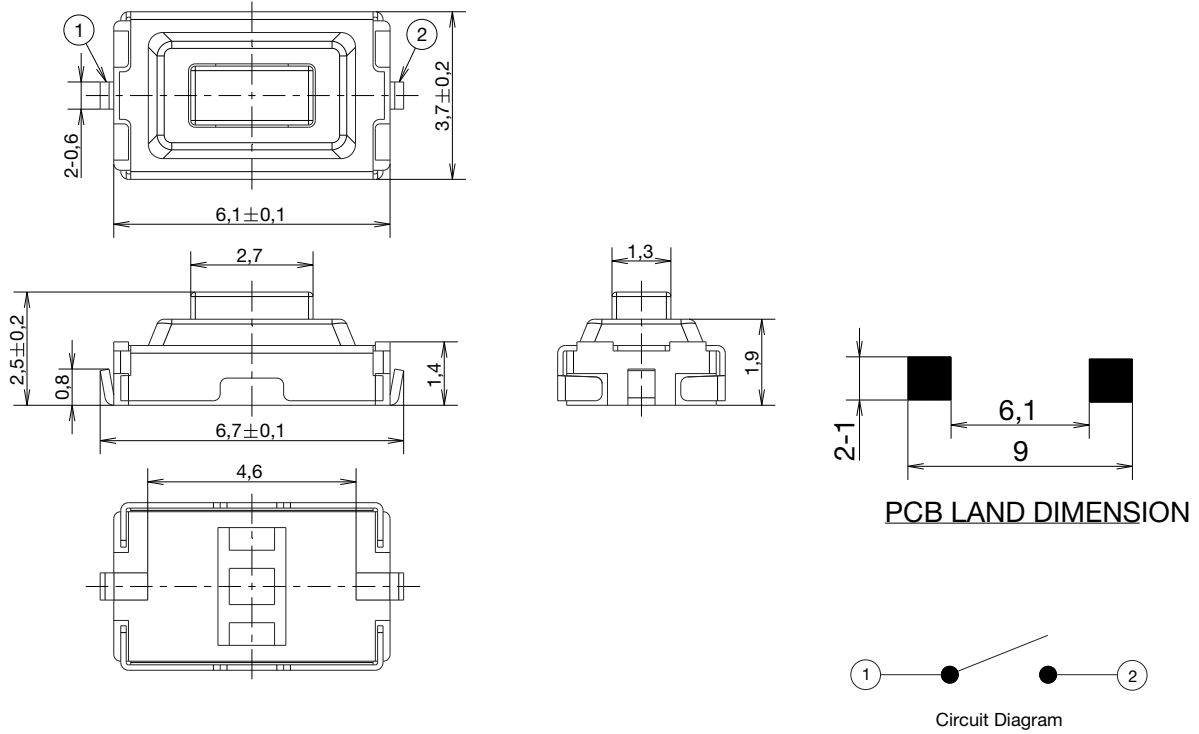


## SMT G leads (2.5 mm height)

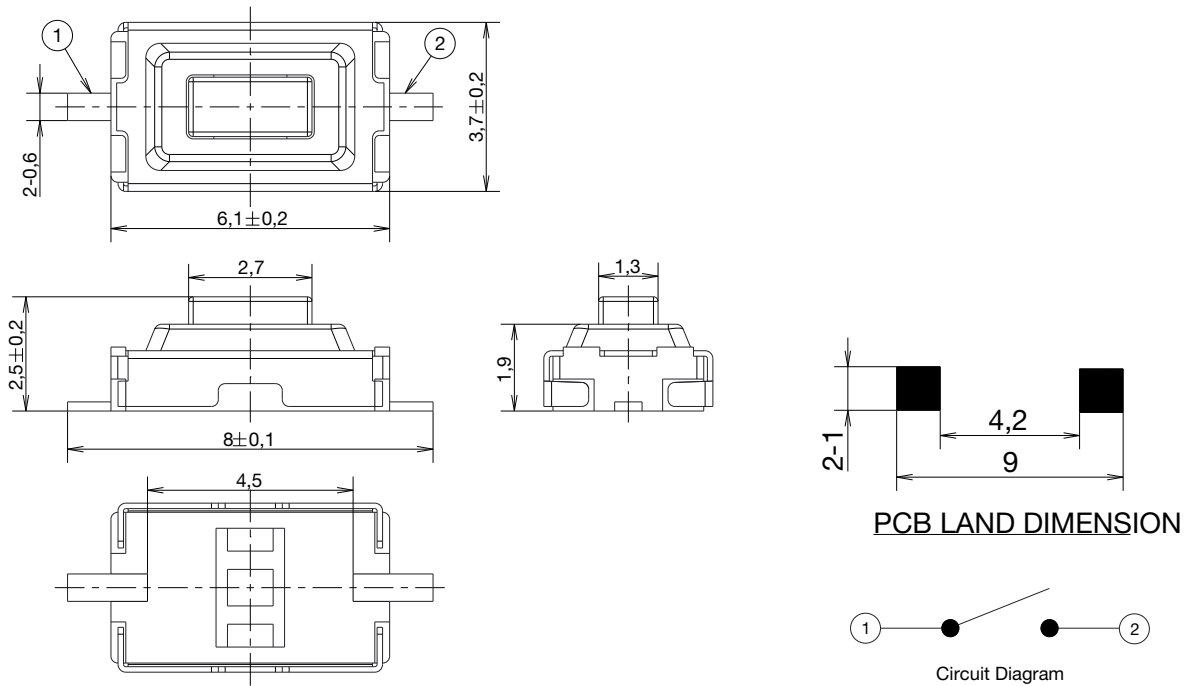


# PTS636 Series 6.0 x 3.5 Top Actuated

## SMT J leads (2.5 mm height)



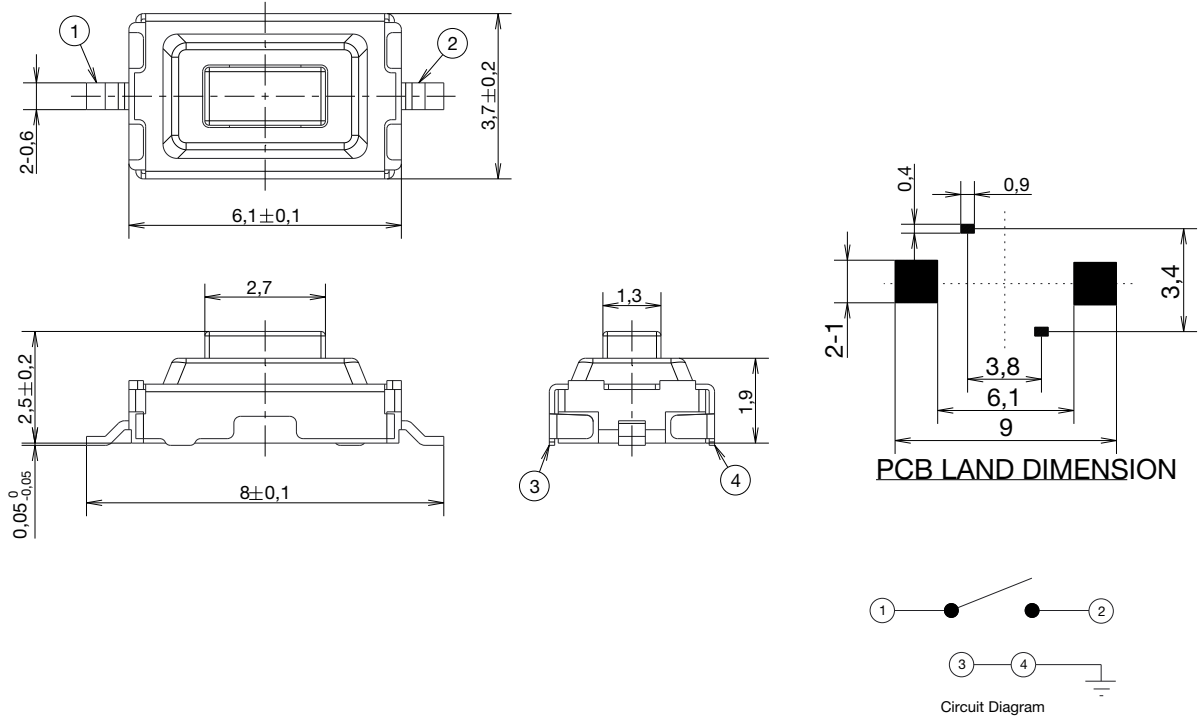
## SMT F leads (2.5 mm height)



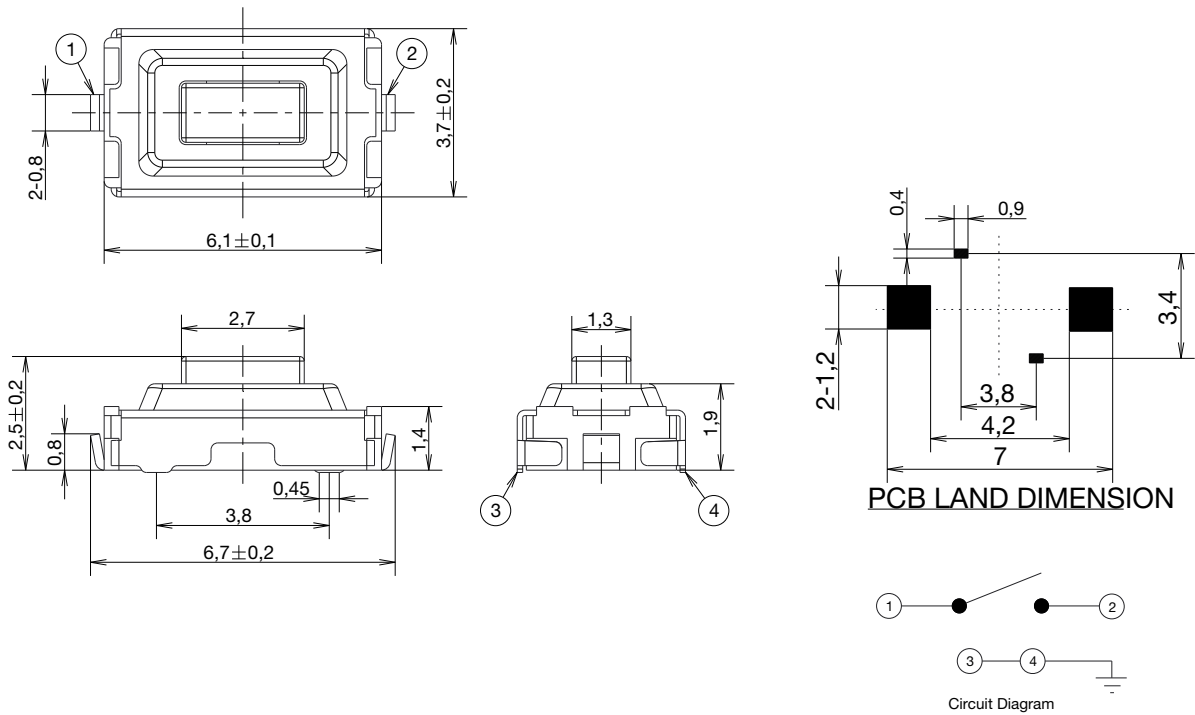
Dimensions are shown: mm  
Specifications and dimensions subject to change

# PTS636 Series 6.0 x 3.5 Top Actuated

## SMT G leads, with ground pin (2.5 mm height)



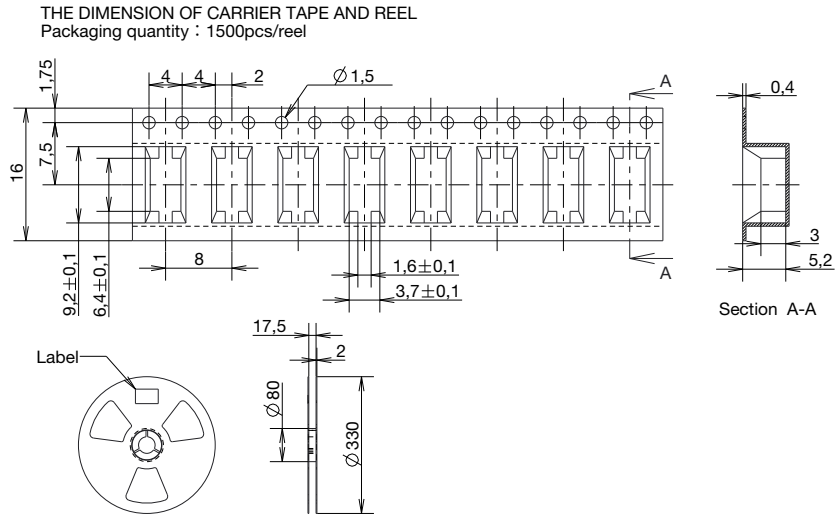
## SMT J leads, with ground pin (2.5 mm height)



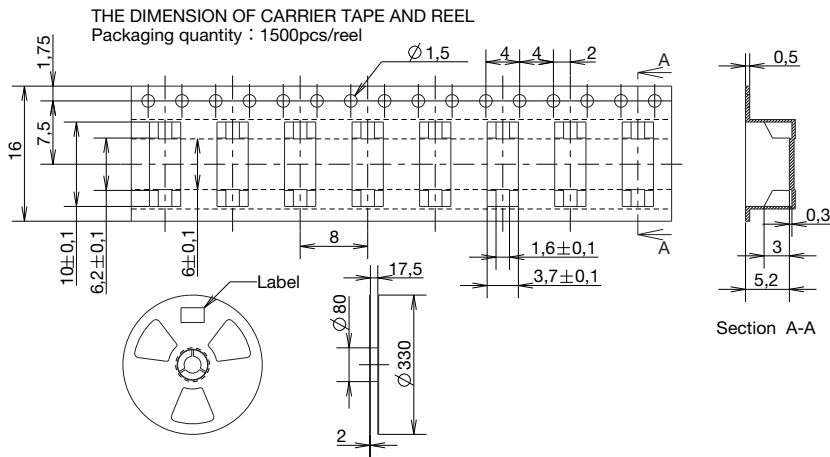
# PTS636 Series 6.0 x 3.5 Top Actuated

## PACKAGING

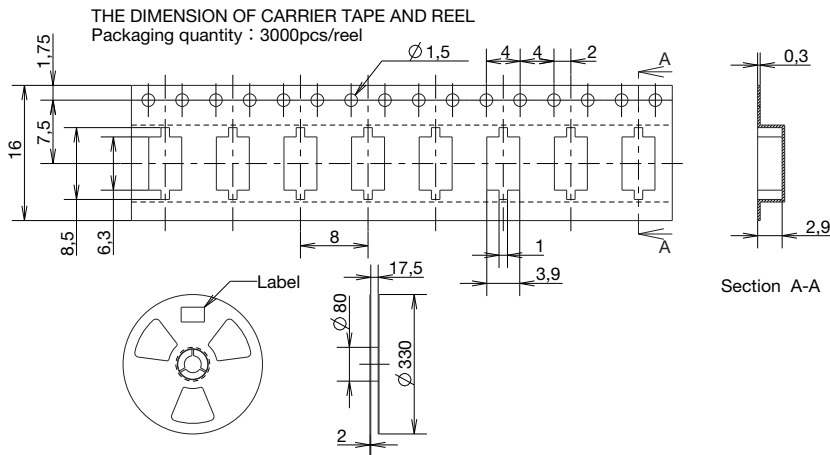
### 4.3 and 5.0 mm height - G leads



### 4.3 and 5.0 mm height - J leads



### 2.5 mm height



Dimensions are shown: mm  
Specifications and dimensions subject to change