



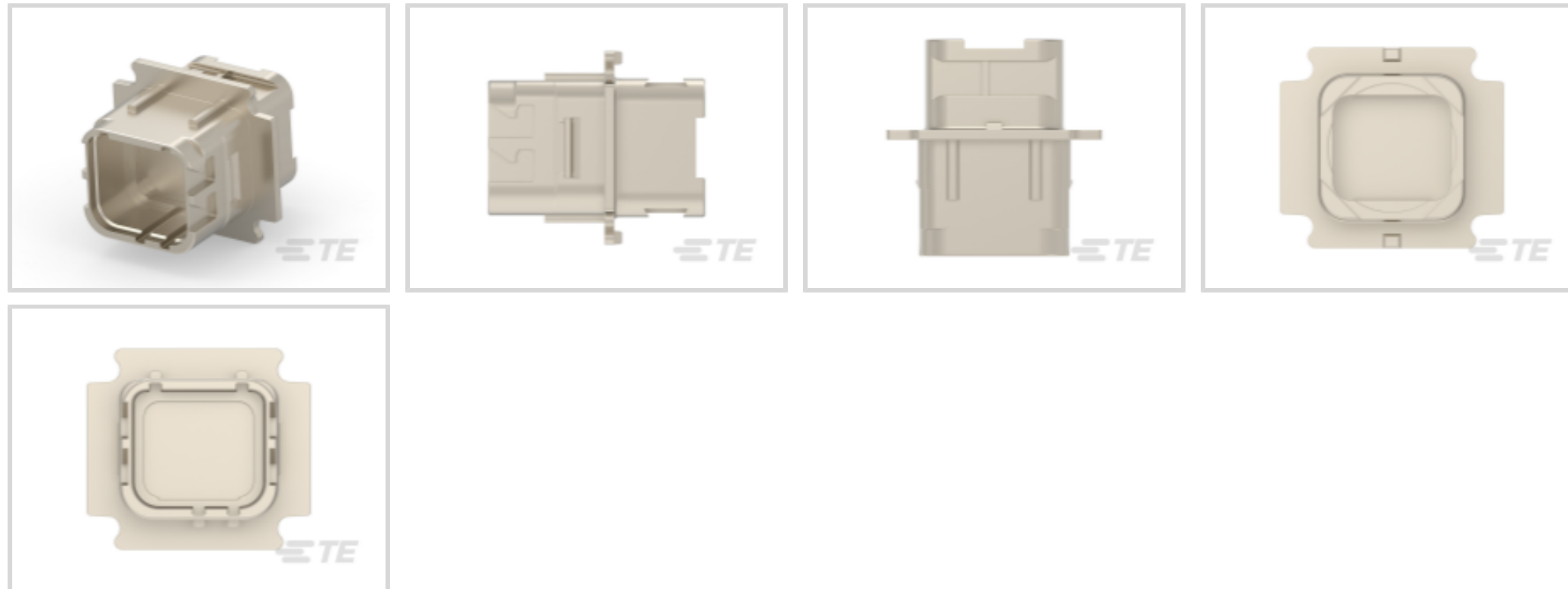
DEUTSCH

TE Internal #: ZPF00000000145735

Standard Rectangular Connectors, Housing Kit, Receptacle, Mating Alignment, Keyed Mating Alignment Type, Mating Retention, Shielded, Normal

[View on TE.com >](#)

Connectors > Rectangular Connectors > Standard Rectangular Connectors > Rectangular Connector Receptacle Extenders, Tool-less Assembly



Connector Product Type: **Housing Kit**  
 Connector & Housing Type: **Receptacle**  
 Mating Alignment: **With**  
 Mating Alignment Type: **Keyed**  
 Mating Retention: **With**

[All Rectangular Connector Receptacle Extenders, Tool-less Assembly \(26\)](#)

**Features**

**Product Type Features**

Connector Product Type	Housing Kit
Connector & Housing Type	Receptacle
Insertion Force Type	Normal
Sealable	Yes

**Configuration Features**

Number of Positions	1
Number of Rows	1

**Electrical Characteristics**

Operating Voltage	125 VAC
-------------------	---------

**Body Features**

Connector & Keying Code	N
-------------------------	---

**Mechanical Attachment**



Mating Alignment	With
Mating Alignment Type	Keyed
Mating Retention	With
Mating Retention Type	Locking Latch
Connector Mounting Type	Panel Mount

### Housing Features

Housing Material	Composite
------------------	-----------

### Usage Conditions

Operating Temperature Range	-65 – 175 °C[-85 – 347 °F]
-----------------------------	----------------------------

### Operation/Application

Shielded	Yes
Circuit Application	Power & Signal

### Product Compliance

[For compliance documentation, visit the product page on TE.com>](#)

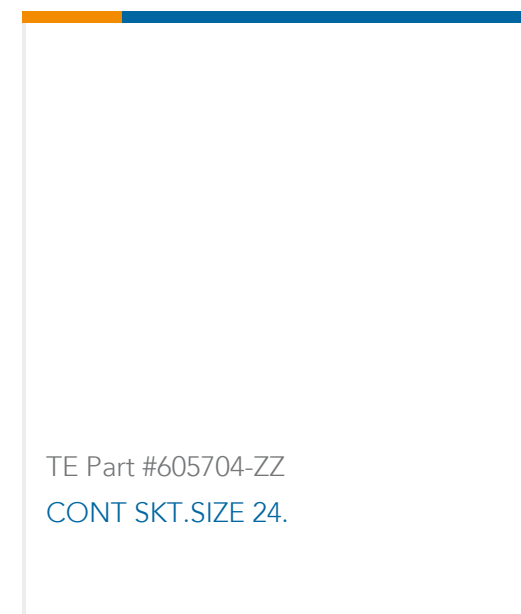
EU RoHS Directive 2011/65/EU	Compliant
EU ELV Directive 2000/53/EC	Out of Scope
China RoHS 2 Directive MIIT Order No 32, 2016	No Restricted Materials Above Threshold
EU REACH Regulation (EC) No. 1907/2006	Current ECHA Candidate List: JUNE 2023 (235) Candidate List Declared Against: JAN 2023 (233) Does not contain REACH SVHC
Halogen Content	Low Halogen - Br, Cl, F, I < 900 ppm per homogenous material. Also BFR/CFR/PVC Free
Solder Process Capability	Not reviewed for solder process capability

#### Product Compliance Disclaimer

This information is provided based on reasonable inquiry of our suppliers and represents our current actual knowledge based on the information they provided. This information is subject to change. The part numbers that TE has identified as EU RoHS compliant have a maximum concentration of 0.1% by weight in homogenous materials for lead, hexavalent chromium, mercury, PBB, PBDE, DBP, BBP, DEHP, DIBP, and 0.01% for cadmium, or qualify for an exemption to these limits as defined in the Annexes of Directive 2011/65/EU (RoHS2). Finished electrical and electronic equipment products will be CE marked as required by Directive 2011/65/EU. Components may not be CE marked. Additionally, the part numbers that TE has identified as EU ELV compliant have a maximum concentration of 0.1% by weight in homogenous materials for lead, hexavalent chromium, and mercury, and 0.01% for cadmium, or qualify for an exemption to these limits as defined in the Annexes of Directive 2000/53/EC (ELV). Regarding the REACH Regulations, TE's information on SVHC in articles for this part number is still based on the European Chemical Agency (ECHA) 'Guidance on requirements for substances in articles' (Version: 2, April 2011), applying the 0.1% weight on weight concentration threshold at the finished product level. TE is aware of the European Court of Justice ruling of September 10th, 2015 also known as O5A (Once An

Article Always An Article) stating that, in case of 'complex object', the threshold for a SVHC must be applied to both the product as a whole and simultaneously to each of the articles forming part of its composition. TE has evaluated this ruling based on the new ECHA "Guidance on requirements for substances in articles" (June 2017, version 4.0) and will be updating its statements accordingly.

## Customers Also Bought



## Documents

### Product Drawings

#### DMC-MD 26 N-K-T

English

### CAD Files

#### 3D PDF

3D

#### Customer View Model

[ENG\\_CVM\\_CVM\\_ZPF00000000145735\\_1.2d\\_dxf.zip](#)

English

#### Customer View Model

[ENG\\_CVM\\_CVM\\_ZPF00000000145735\\_1.3d\\_igs.zip](#)

English

#### Customer View Model

[ENG\\_CVM\\_CVM\\_ZPF00000000145735\\_1.3d\\_stp.zip](#)

English

By downloading the CAD file I accept and agree to the [Terms and Conditions](#) of use.

### Datasheets & Catalog Pages

#### DMC-M Series Single Module EN4165

English

