

DTS26W21-11SN [V001] ✓ ACTIVE

DEUTSCH | DEUTSCH 38999, DEUTSCH 38999 Series III

TE Internal #: YDTS26W21-11SNV001

Standard Circular Connectors, Cable-to-Panel, 11 Position,
Sealable, Wire & Cable, Power, Panel Mount, Cadmium, O.D.,
Aluminum 6061-T6

[View on TE.com >](#)



Connectors > Circular Connectors > Standard Circular Connectors > D38999: Straight Plug, 21-11 Insert



Connector System: **Cable-to-Panel**

Number of Positions: **11**

Sealable: **Yes**

Connector & Contact Terminates To: **Wire & Cable**

Contact Current Rating (Max): **23 A**

[All D38999: Straight Plug, 21-11 Insert \(45\)](#)

Features

Product Type Features

Product Type	Connector Assembly
Connector System	Cable-to-Panel
Sealable	Yes
Connector & Contact Terminates To	Wire & Cable
Circular Connector Type	Plug
Shell Type	Straight Plug

Configuration Features

Number of Positions	11
Number of Power Positions	11
Number of Signal Positions	0
Contacts Preloaded	No

Body Features

Shell Plating Material	Cadmium, O.D.
Shell Base Material	Aluminum 6061-T6
Circular Connector Insulation Material Type	Hard Dielectric/Silicone
Hermetically Sealed	No



Contact Features

Contact Current Rating (Max)	23 A
Reverse Gender	No
Contact Layout Arrangement	21 – 11
Circular Connector Contact Type	Socket

Mechanical Attachment

Connector Mounting Type	Panel Mount
Polarization Code	N
Mating Alignment Type	Keyed
Mating Retention	With

Housing Features

Circular Connector Shell Size	21
Alignment Keyed	Clocking

Dimensions

Wire Size	2.08 – 3.31 mm ²
-----------	-----------------------------

Usage Conditions

Operating Temperature Range	-65 – 200 °C[-85 – 392 °F]
-----------------------------	----------------------------

Operation/Application

Circuit Application	Power
Shielded	Yes

Product Compliance

[For compliance documentation, visit the product page on TE.com>](#)

EU RoHS Directive 2011/65/EU	Not Compliant
EU ELV Directive 2000/53/EC	Not Compliant
China RoHS 2 Directive MIIT Order No 32, 2016	Restricted Materials Above Threshold
EU REACH Regulation (EC) No. 1907/2006	Current ECHA Candidate List: JUNE 2023 (235) Candidate List Declared Against: JUNE 2022 (224) SVHC > Threshold: Cd (1.52% in Plating) Pb (1.2% in Contact Lead-Copper Alloy) Decamethylcyclopentasiloxane (D5) (5% in Insert subassembly)

Article Safe Usage Statements:

Use personal protective equipment as required. Do not eat, drink or smoke when using this product. Wash thoroughly after handling. Recycle if possible and dispose of the article by following all applicable governmental regulations relevant to your geographic location.

Halogen Content

Not Yet Reviewed for halogen content

Solder Process Capability

Not reviewed for solder process capability

Product Compliance Disclaimer

This information is provided based on reasonable inquiry of our suppliers and represents our current actual knowledge based on the information they provided. This information is subject to change. The part numbers that TE has identified as EU RoHS compliant have a maximum concentration of 0.1% by weight in homogenous materials for lead, hexavalent chromium, mercury, PBB, PBDE, DBP, BBP, DEHP, DIBP, and 0.01% for cadmium, or qualify for an exemption to these limits as defined in the Annexes of Directive 2011/65/EU (RoHS2). Finished electrical and electronic equipment products will be CE marked as required by Directive 2011/65/EU. Components may not be CE marked. Additionally, the part numbers that TE has identified as EU ELV compliant have a maximum concentration of 0.1% by weight in homogenous materials for lead, hexavalent chromium, and mercury, and 0.01% for cadmium, or qualify for an exemption to these limits as defined in the Annexes of Directive 2000/53/EC (ELV). Regarding the REACH Regulation, the information TE provides on SVHC in articles for this part number is based on the latest European Chemicals Agency (ECHA) 'Guidance on requirements for substances in articles' posted at this URL: <https://echa.europa.eu/guidance-documents/guidance-on-reach>

Compatible Parts



TE Part # CAT-D38999-DTS7D
D38999: Square Flange, 21-11 insert



TE Part # CAT-D38999-DTS15Q
Jam Nut: D38999, 21-11 Insert



TE Part # EK3749-000
70H1-21-16-1-B



TE Part # 70H1-21-09-1-B
70H1-21-09-1-B



TE Part # 70H1-21-10-1-B
70H1-21-10-1-B



TE Part # 70H1-21-12-1-B
70H1-21-12-1-B



TE Part # 70H1-21-13-1-B
70H1-21-13-1-B



TE Part # EK4788-000
70H1-21-14-1-B



TE Part # 70H1-21-15-1-B
70H1-21-15-1-B



TE Part # 70H1-21-17-1-B
70H1-21-17-1-B



TE Part # 70H1-21-20-1-B
70H1-21-20-1-B

Also in the Series | **DEUTSCH 38999**



Standard Circular Connectors(8399)

Also in the Series | [DEUTSCH 38999 Series III](#)



Standard Circular Connectors(22304)

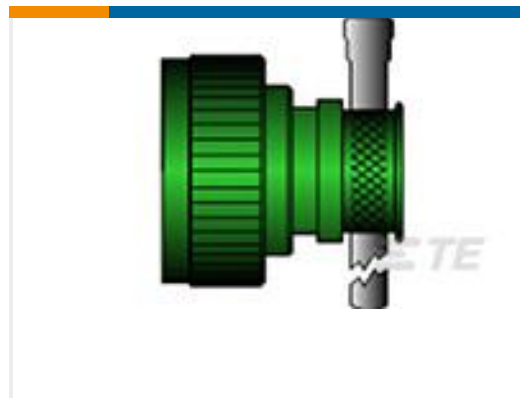
Customers Also Bought



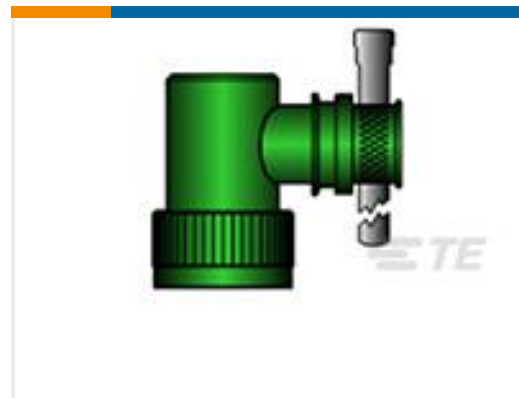
TE Part #859527-1
LGH RECEPT., FLANGED, H.V.



TE Part #807329-000
Low Profile Heat Shrink Boots: Poly Molded, Lipped, Straight



TE Part #CW2895-000
R85049/88-13W03



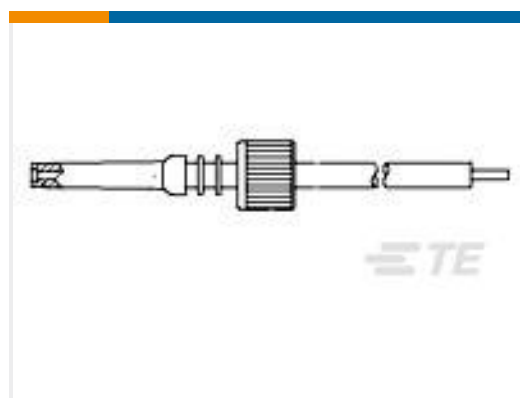
TE Part #CW3829-000
R85049/90-25W03



TE Part #YDTS24W21-11PNV001
RECP ASSY



TE Part #2332795-1
Multibeam, Vrt Assy, VITA 62, Press



TE Part #867893-2
LGH-1/2L LEAD ELECT MLD YEL



TE Part #2804-5-1200
INS SOC ASSY

Documents

Product Drawings

[PLUG ASSY](#)

English

CAD Files

[3D PDF](#)

[3D](#)



Customer View Model

[ENG_CVM_CVM_YDTS26W21-11SNV001_99.2d_dxf.zip](#)

English

Customer View Model

[ENG_CVM_CVM_YDTS26W21-11SNV001_99.3d_igs.zip](#)

English

Customer View Model

[ENG_CVM_CVM_YDTS26W21-11SNV001_99.3d_stp.zip](#)

English

By downloading the CAD file I accept and agree to the [Terms and Conditions](#) of use.

Datasheets & Catalog Pages

[DEUTSCH DTS Series Connectors for 38999 QRG](#)

English