

DTS20W13-35SN [V001] ✓ ACTIVE

DEUTSCH | DEUTSCH 38999 Series III

TE Internal #: YDTS20W13-35SNV001

Standard Circular Connectors, Wire-to-Wire, 22 Position, .1 in [.06 mm] Centerline, Sealable, Wire & Cable, Power & Signal, DEUTSCH 38999 Series III

[View on TE.com >](#)



Connectors > Circular Connectors > Standard Circular Connectors > D38999: Square Flange, 13-35 insert



Connector System: **Wire-to-Wire**

Number of Positions: **22**

Centerline (Pitch): **.06 mm [.1 in]**

Sealable: **Yes**

Connector & Contact Terminates To: **Wire & Cable**

[All D38999: Square Flange, 13-35 insert \(46\)](#)

Features

Product Type Features

Product Type	Connector Assembly
Assembly Type	Electrical Connector
Connector System	Wire-to-Wire
Sealable	Yes
Connector & Contact Terminates To	Wire & Cable
Circular Connector Type	Receptacle
Shell Type	Square Flange Receptacle

Configuration Features

Keying & Polarized Position Locations	N
Factory Installed Backshell	No
Keying	Keyway Polarization N
Number of Positions	22
Number of Power Positions	0
Number of Signal Positions	22
Contacts Preloaded	No

Electrical Characteristics



Operating Voltage	400 VAC
-------------------	---------

Voltage	1300 Vrms
---------	-----------

Body Features

Peripheral Seal Material	Silicone
--------------------------	----------

Environmental Protection	Yes
--------------------------	-----

Feedthrough Type	No
------------------	----

Environmental Protection Type	Elastomer Sealed
-------------------------------	------------------

Entry Style	Rear Insertion
-------------	----------------

Fluid Type	Coolanol 25, M2-V, MIL-DTL-5624 (JP-4,JP-5), MIL-DTL-83133 (JP-8), MIL-PRF-23699, MIL-PRF-5606, MIL-PRF-7808, SEA-AMS1424 Type I
------------	--

Shell Plating Material	Cadmium O.D.
------------------------	--------------

Shell Base Material	Aluminum
---------------------	----------

Circular Connector Insulation Material Type	Hard Dielectric/Silicone
---	--------------------------

Hermetically Sealed	No
---------------------	----

Contact Features

Contact Quantity (Size 22D)	22
-----------------------------	----

Contact Current Rating (Max)	5 A
------------------------------	-----

Reverse Gender	No
----------------	----

Contact Layout Arrangement	Circular
----------------------------	----------

Circular Connector Contact Type	Pin/Socket
---------------------------------	------------

Mechanical Attachment

Mating Retention Type	Triple Start Threaded
-----------------------	-----------------------

Panel Mount Feature	With
---------------------	------

Panel Mount Feature Type	Square Flange
--------------------------	---------------

Connector Mounting Type	Panel Mount
-------------------------	-------------

Polarization Code	Normal
-------------------	--------

Mating Alignment Type	Polarization
-----------------------	--------------

Mating Retention	Without
------------------	---------

Housing Features

Centerline (Pitch)	.06 mm[.1 in]
--------------------	---------------

Circular Connector Shell Size	C (13)
-------------------------------	--------

Alignment Keyed	Clocking
-----------------	----------



Dimensions

Compatible Insulation Diameter Range	.76 – 1.37 mm [.03 – .054 in]
Assembly Length	31.5 mm [1.24 in]
Wire Size	.15 – .4 mm ²

Usage Conditions

Fluid Resistance	Yes
Operating Temperature Range	-65 – 200 °C [-85 – 392 °F]

Operation/Application

Durability Rating	500 Cycles
Circuit Application	Power & Signal
Shielded	Yes

Packaging Features

Packaging Quantity	1
--------------------	---

Other

Position Locations Omitted	All
----------------------------	-----

Product Compliance

[For compliance documentation, visit the product page on TE.com>](#)

EU RoHS Directive 2011/65/EU	Not Compliant
EU ELV Directive 2000/53/EC	Out of Scope
China RoHS 2 Directive MIIT Order No 32, 2016	Restricted Materials Above Threshold
EU REACH Regulation (EC) No. 1907/2006	<p>Current ECHA Candidate List: JUNE 2023 (235)</p> <p>Candidate List Declared Against: JAN 2023 (233)</p> <p>SVHC > Threshold:</p> <p>Cd (4.32% in Plating)</p> <p>Pb (1.2% in Pin Copper Alloy)</p> <p>Decamethylcyclopentasiloxane (D5) (5% in Insert subassembly)</p> <p>Article Safe Usage Statements: Use personal protective equipment as required. Do not eat, drink or smoke when using this product. Wash thoroughly after handling. Recycle if possible and dispose of the article by following all applicable governmental regulations relevant to your geographic location.</p>
Halogen Content	Low Halogen - Br, Cl, F, I < 900 ppm per homogenous material. Also BFR/CFR/PVC Free
Solder Process Capability	Not reviewed for solder process capability

Product Compliance Disclaimer

This information is provided based on reasonable inquiry of our suppliers and represents our current actual knowledge based on the information they provided. This information is subject to change. The part numbers that TE has identified as EU RoHS compliant have a maximum concentration of 0.1% by weight in homogenous materials for lead, hexavalent chromium, mercury, PBB, PBDE, DBP, BBP, DEHP, DIBP, and 0.01% for cadmium, or qualify for an exemption to these limits as defined in the Annexes of Directive 2011/65/EU (RoHS2). Finished electrical and electronic equipment products will be CE marked as required by Directive 2011/65/EU. Components may not be CE marked. Additionally, the part numbers that TE has identified as EU ELV compliant have a maximum concentration of 0.1% by weight in homogenous materials for lead, hexavalent chromium, and mercury, and 0.01% for cadmium, or qualify for an exemption to these limits as defined in the Annexes of Directive 2000/53/EC (ELV). Regarding the REACH Regulation, the information TE provides on SVHC in articles for this part number is based on the latest European Chemicals Agency (ECHA) 'Guidance on requirements for substances in articles' posted at this URL: <https://echa.europa.eu/guidance-documents/guidance-on-reach>

Compatible Parts



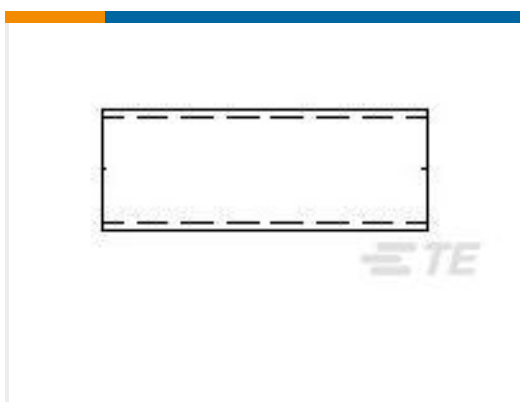
TE Part # CAT-D38999-DTS23P
D38999: Straight Plug, 13-35 Insert

Also in the Series | DEUTSCH 38999 Series III

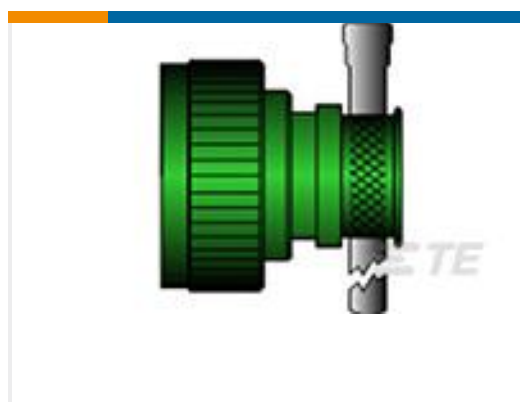


Standard Circular Connectors(22304)

Customers Also Bought



TE Part #195271-000
RT-1145-OX-27-0



TE Part #CW3795-000
R85049/85-16W02



TE Part #YDTS20W21-35PNV001
RECP ASSY



TE Part #YDTS26W15-35PNV001
PLUG ASSY



Documents

Product Drawings

[RECP ASSY](#)

English

CAD Files

[3D PDF](#)

3D

Customer View Model

[ENG_CVM_CVM_YDTS20W13-35SNV001_99.2d_dxf.zip](#)

English

Customer View Model

[ENG_CVM_CVM_YDTS20W13-35SNV001_99.3d_igs.zip](#)

English

Customer View Model

[ENG_CVM_CVM_YDTS20W13-35SNV001_99.3d_stp.zip](#)

English

By downloading the CAD file I accept and agree to the [Terms and Conditions](#) of use.

Datasheets & Catalog Pages

[DEUTSCH MIL-DTL-38999 CIRCULAR CONNECTORS](#)

English