



CIR

TE Internal #: Y5015-000000078021

TE Internal Description: 90 DEGREE HEATSHRINK SCREEN

ADAPTOR

90° Heatshrink Elbow Adapter, Type ECHSA

[View on TE.com >](#)

Connectors > Circular Connectors > Circular Connector Accessories > Circular Connector Adapters > 90° Heatshrink Elbow Adapter, Type ECHSA



Compatible With Connector Shell Size: 20

Operating Temperature Range: -55 – 125 °C [-67 – 257 °F]

Features

Body Features

Primary Product Color	Black
-----------------------	-------

Housing Features

Body Orientation	Right Angle
------------------	-------------

Usage Conditions

Operating Temperature Range	-55 – 125 °C [-67 – 257 °F]
-----------------------------	-------------------------------

Operation/Application

Compatible With Connector Shell Size	20
--------------------------------------	----

Packaging Features

Packaging Quantity	50
--------------------	----

Other

Connector Accessory Comment	Heatshrink
-----------------------------	------------

Product Compliance

[For compliance documentation, visit the product page on TE.com>](#)

EU RoHS Directive 2011/65/EU	Compliant with Exemptions
EU ELV Directive 2000/53/EC	Compliant with Exemptions
China RoHS 2 Directive MIIT Order No 32, 2016	Restricted Materials Above Threshold
EU REACH Regulation (EC) No. 1907/2006	Current ECHA Candidate List: JUNE 2023 (235)

Candidate List Declared Against: JUL 2017
 (174)
 SVHC > Threshold:
 Not Yet Reviewed

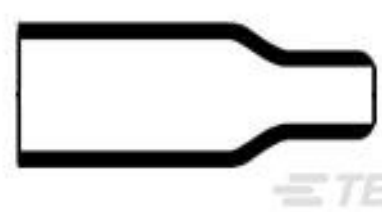
Halogen Content	Not Yet Reviewed for halogen content
Solder Process Capability	Not applicable for solder process capability

Product Compliance Disclaimer

This information is provided based on reasonable inquiry of our suppliers and represents our current actual knowledge based on the information they provided. This information is subject to change. The part numbers that TE has identified as EU RoHS compliant have a maximum concentration of 0.1% by weight in homogenous materials for lead, hexavalent chromium, mercury, PBB, PBDE, DBP, BBP, DEHP, DIBP, and 0.01% for cadmium, or qualify for an exemption to these limits as defined in the Annexes of Directive 2011/65/EU (RoHS2). Finished electrical and electronic equipment products will be CE marked as required by Directive 2011/65/EU. Components may not be CE marked. Additionally, the part numbers that TE has identified as EU ELV compliant have a maximum concentration of 0.1% by weight in homogenous materials for lead, hexavalent chromium, and mercury, and 0.01% for cadmium, or qualify for an exemption to these limits as defined in the Annexes of Directive 2000/53/EC (ELV). Regarding the REACH Regulations, TE's information on SVHC in articles for this part number is still based on the European Chemical Agency (ECHA) 'Guidance on requirements for substances in articles' (Version: 2, April 2011), applying the 0.1% weight on weight concentration threshold at the finished product level. TE is aware of the European Court of Justice ruling of September 10th, 2015 also known as O5A (Once An Article Always An Article) stating that, in case of 'complex object', the threshold for a SVHC must be applied to both the product as a whole and simultaneously to each of the articles forming part of its composition. TE has evaluated this ruling based on the new ECHA "Guidance on requirements for substances in articles" (June 2017, version 4.0) and will be updating its statements accordingly.

Also in the Series

Customers Also Bought



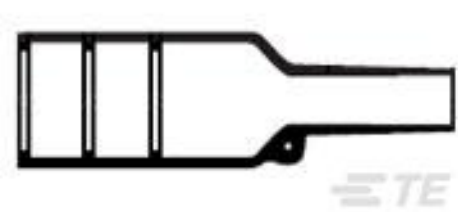
TE Part #366661-000
 202A142-25/86-0



TE Part #205203-3
 CRIMP SNAP RCPT ASSY, SIZE 1



TE Part #205201-7
 SOCKET CONT.



TE Part #165938-000
 202K121-25/86-0



TE Part #K1060041
 Relay 30-311-12



TE Part #CW9558-000
 CBS-22CN21-21M-9

Documents

[Product Drawings](#)



90 DEGREE HEATSHRINK SCREEN ADAPTOR

French

[Datasheets & Catalog Pages](#)

[CIRP Catalog](#)

[CIRP Catalog](#)

English