



MEAS | MEAS U7100

TE Internal #: U7139-150PA-5W0000

TE Internal Description: PRESS XDCC U7139-150PA-5W0000

[View on TE.com >](#)

Sensors > Pressure Sensors > Pressure Transducers



Pressure Transducer Sensor Type: **Industrial Pressure Transducer**

Pressure Range: **0 – 150 psi**

Pressure Type: **Absolute**

Pressure Transducer Supply Voltage: **4.75 – 5.25 V**

Output/Span: **.5 – 4.5 V**

Features

Product Type Features

Pressure Transducer Sensor Type	Industrial Pressure Transducer
Pressure Type	Absolute

Configuration Features

Electrical Connection	Packard
Pressure Port/Fitting	1/4 MNPT

Electrical Characteristics

Pressure Transducer Supply Voltage	4.75 – 5.25 V
------------------------------------	---------------

Dimensions

Dimensions	26.7 x 26.7 x 50 mm[1.05 x 1.05 x 1.97 in]
------------	--

Usage Conditions

Pressure	10.34 bar[150 psi]
Operating Temperature Range	-40 – 125 °C[-40 – 257 °F]

Operation/Application

Proof Pressure Range	3X Rated
Pressure Range	0 – 150 psi
Output/Span	.5 – 4.5 V
Pressure Accuracy	±0.25% Span

Other



Sensor Options	No Option
----------------	-----------

Product Compliance

[For compliance documentation, visit the product page on TE.com>](#)

EU RoHS Directive 2011/65/EU	Compliant with Exemptions
EU ELV Directive 2000/53/EC	Compliant
China RoHS 2 Directive MIIT Order No 32, 2016	Restricted Materials Above Threshold
EU REACH Regulation (EC) No. 1907/2006	<p>Current ECHA Candidate List: JUNE 2023 (235)</p> <p>Candidate List Declared Against: JAN 2023 (233)</p> <p>SVHC > Threshold:</p> <p>Decamethylcyclopentasiloxane (D5) (.12% in component part)</p> <p>Dodecamethylcyclohexasiloxane (D6) (.26% in component part)</p> <p>Article Safe Usage Statements: Wash thoroughly after handling. Recycle if possible and dispose of the article by following all applicable governmental regulations relevant to your geographic location.</p>

Halogen Content	Not Yet Reviewed for halogen content
-----------------	--------------------------------------

Solder Process Capability	Not reviewed for solder process capability
---------------------------	--

Product Compliance Disclaimer

This information is provided based on reasonable inquiry of our suppliers and represents our current actual knowledge based on the information they provided. This information is subject to change. The part numbers that TE has identified as EU RoHS compliant have a maximum concentration of 0.1% by weight in homogenous materials for lead, hexavalent chromium, mercury, PBB, PBDE, DBP, BBP, DEHP, DIBP, and 0.01% for cadmium, or qualify for an exemption to these limits as defined in the Annexes of Directive 2011/65/EU (RoHS2). Finished electrical and electronic equipment products will be CE marked as required by Directive 2011/65/EU. Components may not be CE marked. Additionally, the part numbers that TE has identified as EU ELV compliant have a maximum concentration of 0.1% by weight in homogenous materials for lead, hexavalent chromium, and mercury, and 0.01% for cadmium, or qualify for an exemption to these limits as defined in the Annexes of Directive 2000/53/EC (ELV). Regarding the REACH Regulation, the information TE provides on SVHC in articles for this part number is based on the latest European Chemicals Agency (ECHA) 'Guidance on requirements for substances in articles' posted at this URL: <https://echa.europa.eu/guidance-documents/guidance-on-reach>

Compatible Parts

 <p>TE Part # U7139-030PA-5W0000 PRESS XDCR U7139-030PA-5W0000</p>	 <p>TE Part # U7139-002BA-2W0000 PRESS XDCR U7139-002BA-2W0000</p>	 <p>TE Part # U7139-010BA-2W0000 PRESS XDCR U7139-010BA-2W0000</p>
---	---	---

Also in the Series | MEAS U7100



Pressure Transducers(4)

Customers Also Bought



TE Part #206151-1
23-37 RECEPT STD SEX



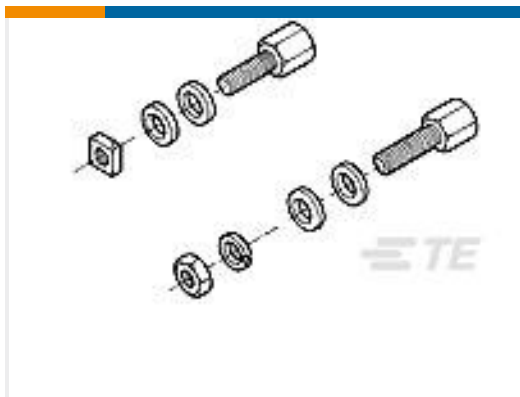
TE Part #T4112001051-000
M12,FEMALE,RA,A CODE,5P,PG7,
GOLD



TE Part #WM-6S
WEDGE LOCK, 6P, PLG, ORG, DTM



TE Part #T4161420008-003
RPC-M12-FR-8CON-PUR-1.5SH



TE Part #212447-1
SCREW RTNR KIT,AMPLIMITE



TE Part #5206514-1
SLIDING LOCK POST KIT



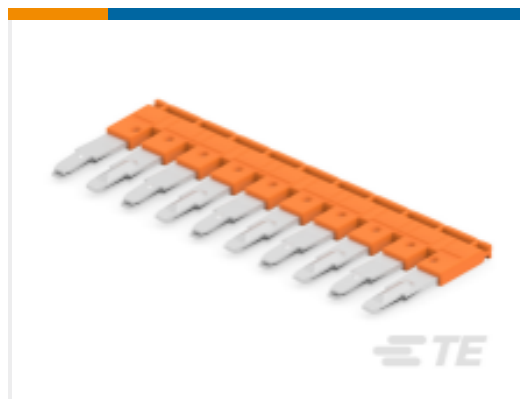
TE Part #794894-1
02P MINI UMNL PLUGS WIRE HOLES



TE Part #1SNK708062R0000
ZK6-RD



TE Part #1SNK708066R0000
ZK6-BK



TE Part #1SNK908310R0000
JB8-10

Documents

[CAD Files](#)

[3D PDF](#)

[3D](#)

[Customer View Model](#)

[ENG_CVM_CVM_U7139-150PA-5W0000_C.2d_dxf.zip](#)

[English](#)

[Customer View Model](#)



[ENG_CVM_CVM_U7139-150PA-5W0000_C.3d_igs.zip](#)

English

Customer View Model

[ENG_CVM_CVM_U7139-150PA-5W0000_C.3d_stp.zip](#)

English

By downloading the CAD file I accept and agree to the [Terms and Conditions](#) of use.

Datasheets & Catalog Pages

U7100

English