



Sensors > Pressure Sensors > Pressure Transducers



Pressure Transducer Sensor Type: **Industrial Pressure Transducer**

Pressure Range: **0 – 2 bar**

Pressure Type: **Absolute**

Pressure Transducer Supply Voltage: **4.75 – 5.25 V**

Output/Span: **.5 – 4.5 V**

## Features

### Product Type Features

|                                 |                                |
|---------------------------------|--------------------------------|
| Pressure Transducer Sensor Type | Industrial Pressure Transducer |
| Pressure Type                   | Absolute                       |

### Configuration Features

|                       |                  |
|-----------------------|------------------|
| Electrical Connection | Packard          |
| Pressure Port/Fitting | G1/4 BS5380 Male |

### Electrical Characteristics

|                                    |               |
|------------------------------------|---------------|
| Pressure Transducer Supply Voltage | 4.75 – 5.25 V |
|------------------------------------|---------------|

### Dimensions

|            |                                            |
|------------|--------------------------------------------|
| Dimensions | 26.7 x 26.7 x 50 mm[1.05 x 1.05 x 1.97 in] |
|------------|--------------------------------------------|

### Usage Conditions

|                             |                            |
|-----------------------------|----------------------------|
| Pressure                    | 2 bar[29 psi]              |
| Operating Temperature Range | -40 – 125 °C[-40 – 257 °F] |

### Operation/Application

|                      |             |
|----------------------|-------------|
| Proof Pressure Range | 3X Rated    |
| Pressure Range       | 0 – 2 bar   |
| Output/Span          | .5 – 4.5 V  |
| Pressure Accuracy    | ±0.25% Span |

### Other



|                |           |
|----------------|-----------|
| Sensor Options | No Option |
|----------------|-----------|

### Product Compliance

[For compliance documentation, visit the product page on TE.com>](#)

|                                               |                                                                                                                                                                                                                                                                                                                                                                                                                                                                                                        |
|-----------------------------------------------|--------------------------------------------------------------------------------------------------------------------------------------------------------------------------------------------------------------------------------------------------------------------------------------------------------------------------------------------------------------------------------------------------------------------------------------------------------------------------------------------------------|
| EU RoHS Directive 2011/65/EU                  | Compliant with Exemptions                                                                                                                                                                                                                                                                                                                                                                                                                                                                              |
| EU ELV Directive 2000/53/EC                   | Compliant with Exemptions                                                                                                                                                                                                                                                                                                                                                                                                                                                                              |
| China RoHS 2 Directive MIIT Order No 32, 2016 | Restricted Materials Above Threshold                                                                                                                                                                                                                                                                                                                                                                                                                                                                   |
| EU REACH Regulation (EC) No. 1907/2006        | <p>Current ECHA Candidate List: JUNE 2023 (235)</p> <p>Candidate List Declared Against: JAN 2023 (233)</p> <p>SVHC &gt; Threshold:</p> <p>Decamethylcyclopentasiloxane (D5) (.12% in component part)</p> <p>Dodecamethylcyclohexasiloxane (D6) (.26% in component part)</p> <p><b>Article Safe Usage Statements:</b><br/>Wash thoroughly after handling. Recycle if possible and dispose of the article by following all applicable governmental regulations relevant to your geographic location.</p> |

|                           |                                            |
|---------------------------|--------------------------------------------|
| Halogen Content           | Not Yet Reviewed for halogen content       |
| Solder Process Capability | Not reviewed for solder process capability |

#### Product Compliance Disclaimer

This information is provided based on reasonable inquiry of our suppliers and represents our current actual knowledge based on the information they provided. This information is subject to change. The part numbers that TE has identified as EU RoHS compliant have a maximum concentration of 0.1% by weight in homogenous materials for lead, hexavalent chromium, mercury, PBB, PBDE, DBP, BBP, DEHP, DIBP, and 0.01% for cadmium, or qualify for an exemption to these limits as defined in the Annexes of Directive 2011/65/EU (RoHS2). Finished electrical and electronic equipment products will be CE marked as required by Directive 2011/65/EU. Components may not be CE marked. Additionally, the part numbers that TE has identified as EU ELV compliant have a maximum concentration of 0.1% by weight in homogenous materials for lead, hexavalent chromium, and mercury, and 0.01% for cadmium, or qualify for an exemption to these limits as defined in the Annexes of Directive 2000/53/EC (ELV). Regarding the REACH Regulation, the information TE provides on SVHC in articles for this part number is based on the latest European Chemicals Agency (ECHA) 'Guidance on requirements for substances in articles' posted at this URL: <https://echa.europa.eu/guidance-documents/guidance-on-reach>

### Compatible Parts

|                                                                                                                                                           |                                                                                                                                                           |                                                                                                                                                             |
|-----------------------------------------------------------------------------------------------------------------------------------------------------------|-----------------------------------------------------------------------------------------------------------------------------------------------------------|-------------------------------------------------------------------------------------------------------------------------------------------------------------|
|  <p>TE Part # U7139-030PA-5W0000<br/>PRESS XDCR U7139-030PA-5W0000</p> |  <p>TE Part # U7139-150PA-5W0000<br/>PRESS XDCR U7139-150PA-5W0000</p> |  <p>TE Part # U7139-010BA-2W0000<br/>PRESS XDCR U7139-010BA-2W0000</p> |
|-----------------------------------------------------------------------------------------------------------------------------------------------------------|-----------------------------------------------------------------------------------------------------------------------------------------------------------|-------------------------------------------------------------------------------------------------------------------------------------------------------------|

## Also in the Series | MEAS U7100



Pressure Transducers(4)

## Customers Also Bought



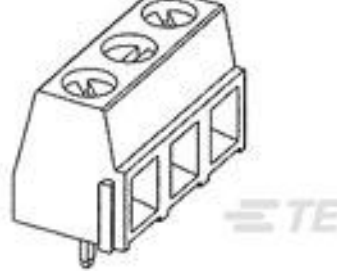
TE Part #7-215079-4  
MICRO-MATCH FOB.04P



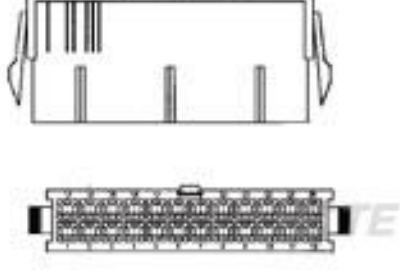
TE Part #DT04-2P-CE02  
REC, 2P, BLK, E



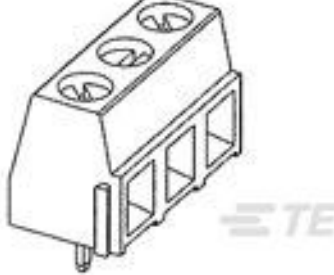
TE Part #825440-3  
MOD 2 PINHDR 2X03P.



TE Part #282836-2  
TERMI-BLOK PCB MOUNT 90 2P.



TE Part #794953-2  
2P PM PLUG VAL-U-LOK V2



TE Part #282837-3  
TERMI-BLOK PCB MOUNT 3P



TE Part #8-34108-1  
SOLIS R 22-16 COMM 22-18 MIL 8



TE Part #227161-6  
RTANG JK W/MTG PINS, BNC PCB

## Documents

### CAD Files

3D PDF

3D

Customer View Model

[ENG\\_CVM\\_CVM\\_U7139-002BA-2W0000\\_C.2d\\_dxf.zip](#)

English

Customer View Model

[ENG\\_CVM\\_CVM\\_U7139-002BA-2W0000\\_C.3d\\_igs.zip](#)

English

Customer View Model

[ENG\\_CVM\\_CVM\\_U7139-002BA-2W0000\\_C.3d\\_stp.zip](#)

English

By downloading the CAD file I accept and agree to the [Terms and Conditions](#) of use.

### Datasheets & Catalog Pages



U7100

English