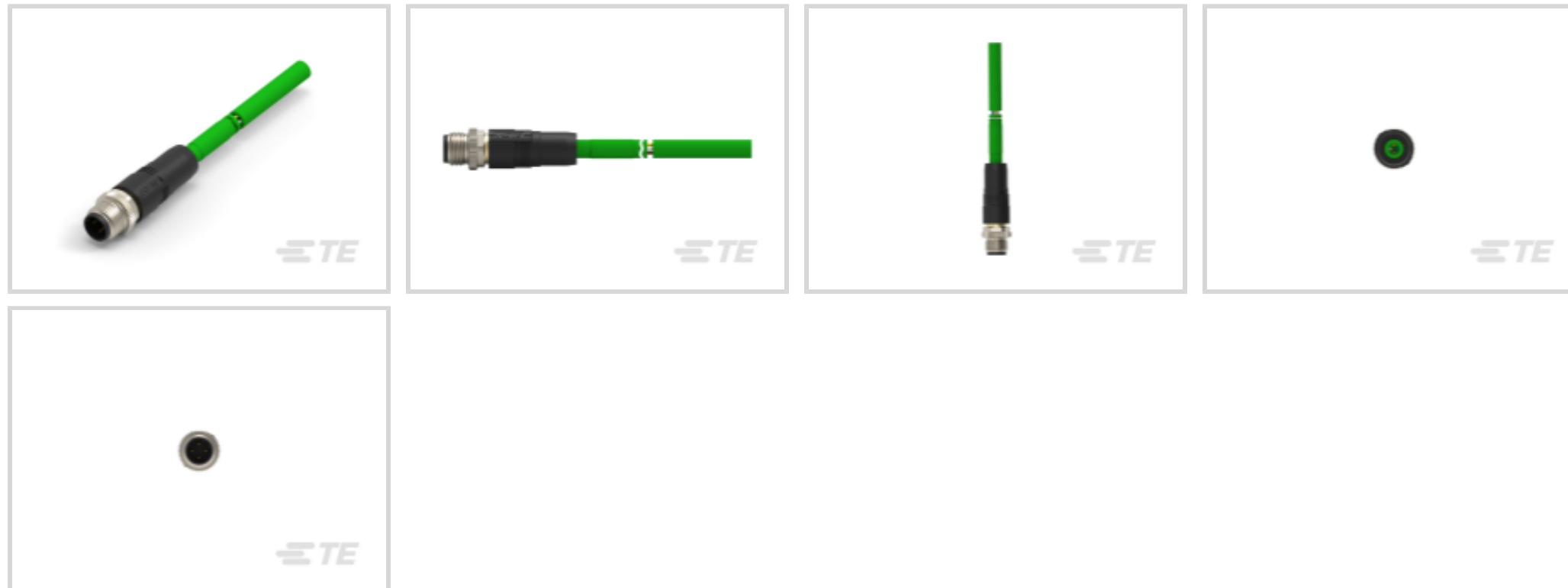




TE Internal #: TAD14147101-002  
 M12 Pigtail Cable Assembly, 4 Position, 1 m, Industrial Ethernet,  
 PROFINET, Code D, M12 Plug, Shielded, Single Ended, PA66+25GF

[View on TE.com >](#)

Cable Assemblies > Copper Cable Assemblies > M8/M12 Cable Assemblies > Ethernet, Profinet M12 D-Code 4pos FRNC



M8/M12 Application Type: **Industrial Ethernet**

Industrial Protocols: **PROFINET**

Number of Positions: **4**

Connector & Keying Code: **D**

Connector Type (End A): **M12 Plug**

[All Ethernet, Profinet M12 D-Code 4pos FRNC \(18\)](#)

## Features

### Product Type Features

|                        |             |
|------------------------|-------------|
| Connector Type (End A) | M12 Plug    |
| Cable Assembly Type    | M12 Pigtail |

### Configuration Features

|                     |   |
|---------------------|---|
| Number of Strands   | 7 |
| Number of Positions | 4 |

### Electrical Characteristics

|                   |         |
|-------------------|---------|
| Operating Voltage | 250 VAC |
|-------------------|---------|

### Body Features

|                         |                          |
|-------------------------|--------------------------|
| Cable Color             | Green                    |
| Connector Color (End A) | Black                    |
| Wire Color (Base)       | Yellow-Orange-White-Blue |
| Conductor Material      | Tinned Copper            |
| Connector & Keying Code | D                        |



### Contact Features

|                              |     |
|------------------------------|-----|
| Contact Current Rating (Max) | 4 A |
|------------------------------|-----|

### Mechanical Attachment

|                               |          |
|-------------------------------|----------|
| Connector Orientation (End A) | Straight |
|-------------------------------|----------|

### Housing Features

|                  |           |
|------------------|-----------|
| Housing Material | PA66+25GF |
|------------------|-----------|

### Dimensions

|                        |        |
|------------------------|--------|
| Outside Cable Diameter | 6.5 mm |
| Wire Size              | 22 AWG |

### Operation/Application

|                         |                     |
|-------------------------|---------------------|
| M8/M12 Application Type | Industrial Ethernet |
| Shielded                | Yes                 |

### Industry Standards

|                      |          |
|----------------------|----------|
| IP Rating            | IP67     |
| Industrial Protocols | PROFINET |

### Packaging Features

|                    |     |
|--------------------|-----|
| Packaging Quantity | 5   |
| Packaging Method   | Bag |

### Other

|                              |              |
|------------------------------|--------------|
| Cable Assembly Length        | 1 m          |
| Cable Assembly Configuration | Single Ended |

### Product Compliance

[For compliance documentation, visit the product page on TE.com>](#)

|   |   |
|---|---|
| EU RoHS Directive 2011/65/EU                  | Compliant with Exemptions   |
| EU ELV Directive 2000/53/EC                   | Compliant with Exemptions   |
| China RoHS 2 Directive MIIT Order No 32, 2016 | Restricted Materials Above Threshold  |
| EU REACH Regulation (EC) No. 1907/2006        | Current ECHA Candidate List: JUNE 2023<br>(235)<br>Candidate List Declared Against: JAN 2021<br>(211)<br>SVHC > Threshold:<br>Pb (1.9% in Component)<br><small>Article Safe Usage Statements:</small> |



Do not eat, drink or smoke when using this product. Wash thoroughly after handling. Recycle if possible and dispose of the article by following all applicable governmental regulations relevant to your geographic location.

Halogen Content

Low Halogen - Br, Cl, F, I < 900 ppm per homogenous material. Also BFR/CFR/PVC Free

Solder Process Capability

Not applicable for solder process capability

Product Compliance Disclaimer

This information is provided based on reasonable inquiry of our suppliers and represents our current actual knowledge based on the information they provided. This information is subject to change. The part numbers that TE has identified as EU RoHS compliant have a maximum concentration of 0.1% by weight in homogenous materials for lead, hexavalent chromium, mercury, PBB, PBDE, DBP, BBP, DEHP, DIBP, and 0.01% for cadmium, or qualify for an exemption to these limits as defined in the Annexes of Directive 2011/65/EU (RoHS2). Finished electrical and electronic equipment products will be CE marked as required by Directive 2011/65/EU. Components may not be CE marked. Additionally, the part numbers that TE has identified as EU ELV compliant have a maximum concentration of 0.1% by weight in homogenous materials for lead, hexavalent chromium, and mercury, and 0.01% for cadmium, or qualify for an exemption to these limits as defined in the Annexes of Directive 2000/53/EC (ELV). Regarding the REACH Regulation, the information TE provides on SVHC in articles for this part number is based on the latest European Chemicals Agency (ECHA) 'Guidance on requirements for substances in articles' posted at this URL: <https://echa.europa.eu/guidance-documents/guidance-on-reach>

## Compatible Parts



TE Part # T4143512041-000  
M12,FRONT MOUNTING,FEMALE,D  
CODE,4P

## Customers Also Bought



TE Part #6-6609107-8  
PS0SXDS6B=C1175



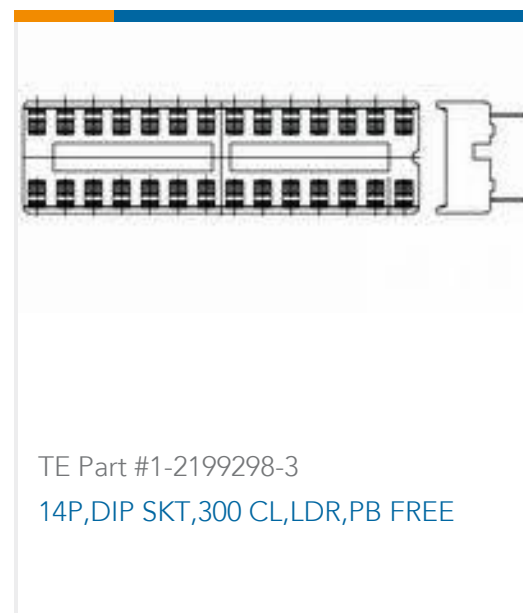
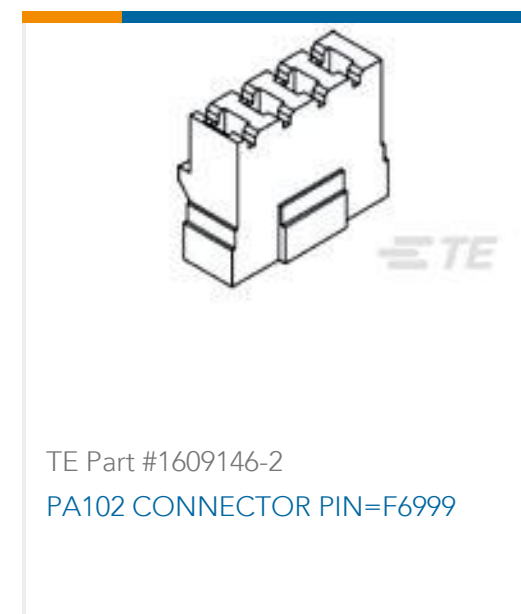
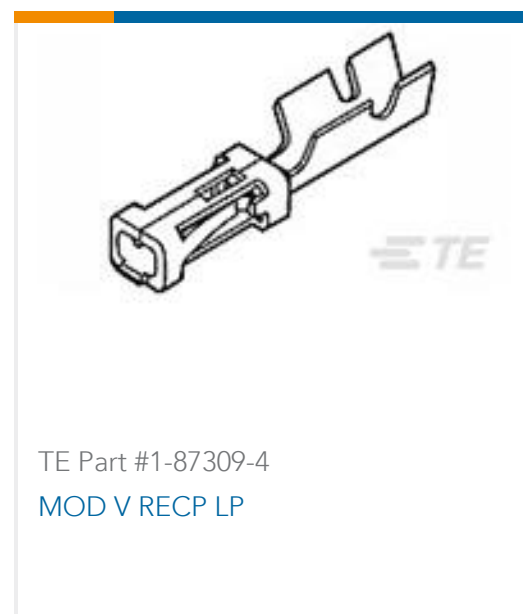
TE Part #1393030-7  
SSR-240D25=panel mount,25A,  
240VAC-DC i/p



TE Part #4-1879073-4  
THS10 1K5 5%



TE Part #102387-1  
10 MODIV HSG COMP DR .100 POL



## Documents

### Product Drawings

[M12D4-MS-FRNC TYPE B GREEN-1.0M](#)

English

### CAD Files

[3D PDF](#)

3D

Customer View Model

[ENG\\_CVM\\_CVM\\_TAD14147101-002\\_A.2d\\_dxf.zip](#)

English

Customer View Model

[ENG\\_CVM\\_CVM\\_TAD14147101-002\\_A.3d\\_igs.zip](#)

English

Customer View Model

[ENG\\_CVM\\_CVM\\_TAD14147101-002\\_A.3d\\_stp.zip](#)

English

By downloading the CAD file I accept and agree to the [Terms and Conditions](#) of use.

### Datasheets & Catalog Pages

[M8 / M12 Connector System Catalog](#)

English

[M8 / M12 Connector System Catalog](#)

Japanese

[M8/M12 Cable Assemblies Brochure](#)

English

### Product Specifications



English

---

**Product Environmental Compliance**

**Product Compliance**

English

**Product Compliance**

English