

# TAD14141311-001 ✓ ACTIVE

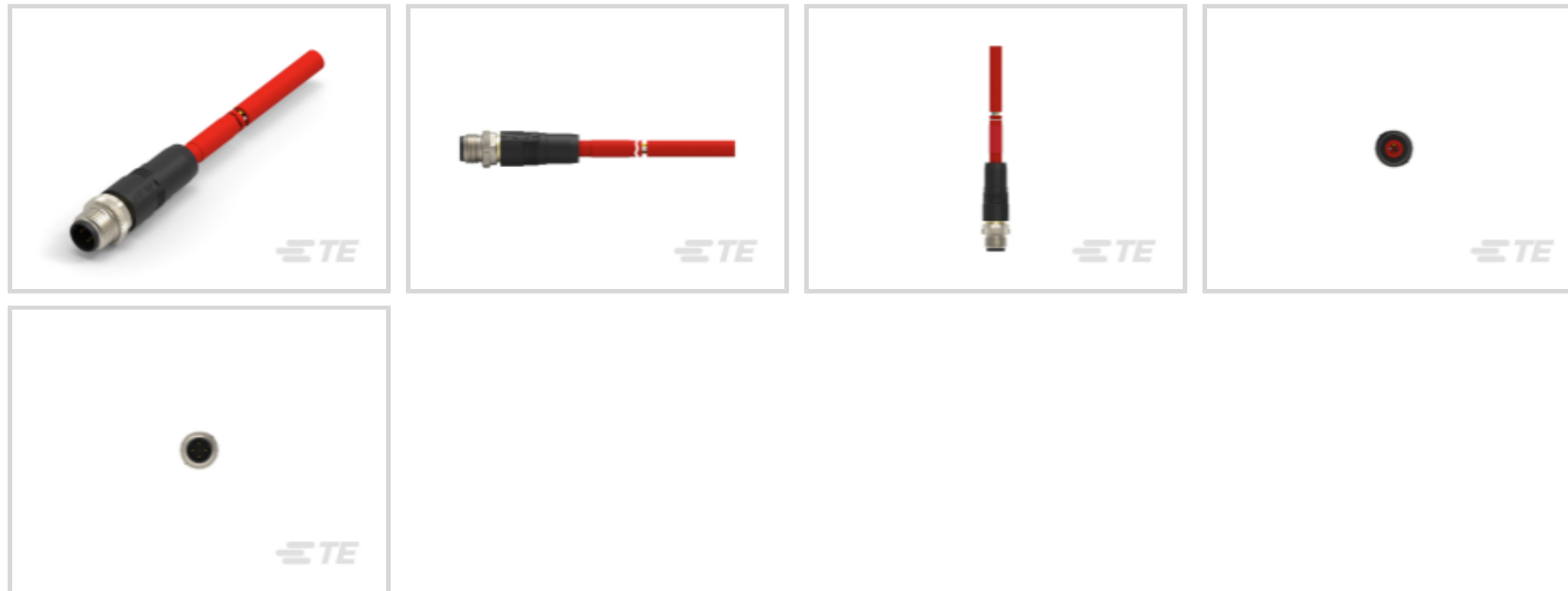
TE Internal #: TAD14141311-001

M12 Pigtail Cable Assembly, 4 Position, .5 m, Industrial Ethernet, SERCOS III, Code D, M12 Plug, Shielded, Single Ended, PA66+25GF

[View on TE.com >](#)



Cable Assemblies > Copper Cable Assemblies > M8/M12 Cable Assemblies > Ethernet, Sercos-III M12-D 4pos PVC Red



M8/M12 Application Type: **Industrial Ethernet**

Industrial Protocols: **SERCOS III**

Number of Positions: **4**

Connector & Keying Code: **D**

Connector Type (End A): **M12 Plug**

[All Ethernet, Sercos-III M12-D 4pos PVC Red \(18\)](#)

## Features

### Product Type Features

Connector Type (End A)	M12 Plug
Cable Assembly Type	M12 Pigtail

### Configuration Features

Number of Strands	7
Number of Positions	4

### Electrical Characteristics

Operating Voltage	250 VAC
-------------------	---------

### Body Features

Cable Color	Red
Connector Color (End A)	Black
Jacket Material	PVC
Wire Color (Base)	Yellow-Orange-White-Blue
Conductor Material	Tinned Copper



Connector & Keying Code	D
-------------------------	---

### Contact Features

Contact Current Rating (Max)	4 A
------------------------------	-----

### Mechanical Attachment

Connector Orientation (End A)	Straight
-------------------------------	----------

### Housing Features

Housing Material	PA66+25GF
------------------	-----------

### Dimensions

Outside Cable Diameter	6.5 mm
------------------------	--------

Wire Size	22 AWG
-----------	--------

### Operation/Application

M8/M12 Application Type	Industrial Ethernet
-------------------------	---------------------

Shielded	Yes
----------	-----

### Industry Standards

IP Rating	IP67
-----------	------

Industrial Protocols	SERCOS III
----------------------	------------

### Packaging Features

Packaging Quantity	5
--------------------	---

Packaging Method	Bag
------------------	-----

### Other

Cable Assembly Length	.5 m
-----------------------	------

Cable Assembly Configuration	Single Ended
------------------------------	--------------

### Product Compliance

[For compliance documentation, visit the product page on TE.com>](#)

EU RoHS Directive 2011/65/EU	Compliant with Exemptions
------------------------------	---------------------------

EU ELV Directive 2000/53/EC	Compliant with Exemptions
-----------------------------	---------------------------

China RoHS 2 Directive MIIT Order No 32, 2016	Restricted Materials Above Threshold
---	--------------------------------------

EU REACH Regulation (EC) No. 1907/2006	Current ECHA Candidate List: JUNE 2023 (235) Candidate List Declared Against: JAN 2021 (211) SVHC > Threshold:
--	--



Pb (1.9% in Component)

Article Safe Usage Statements:

Do not eat, drink or smoke when using this product. Wash thoroughly after handling. Recycle if possible and dispose of the article by following all applicable governmental regulations relevant to your geographic location.

Halogen Content

Not Low Halogen - contains Br or Cl > 900 ppm.

Solder Process Capability

Not applicable for solder process capability

Product Compliance Disclaimer

This information is provided based on reasonable inquiry of our suppliers and represents our current actual knowledge based on the information they provided. This information is subject to change. The part numbers that TE has identified as EU RoHS compliant have a maximum concentration of 0.1% by weight in homogenous materials for lead, hexavalent chromium, mercury, PBB, PBDE, DBP, BBP, DEHP, DIBP, and 0.01% for cadmium, or qualify for an exemption to these limits as defined in the Annexes of Directive 2011/65/EU (RoHS2). Finished electrical and electronic equipment products will be CE marked as required by Directive 2011/65/EU. Components may not be CE marked. Additionally, the part numbers that TE has identified as EU ELV compliant have a maximum concentration of 0.1% by weight in homogenous materials for lead, hexavalent chromium, and mercury, and 0.01% for cadmium, or qualify for an exemption to these limits as defined in the Annexes of Directive 2000/53/EC (ELV). Regarding the REACH Regulation, the information TE provides on SVHC in articles for this part number is based on the latest European Chemicals Agency (ECHA) 'Guidance on requirements for substances in articles' posted at this URL: <https://echa.europa.eu/guidance-documents/guidance-on-reach>

## Compatible Parts



TE Part # T4143512041-000  
M12,FRONT MOUNTING,FEMALE,D CODE,4P

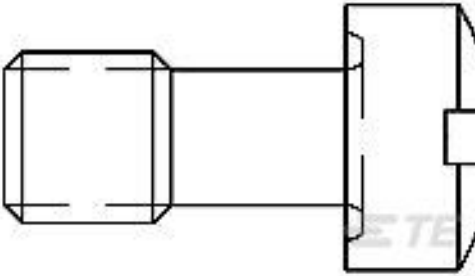
## Customers Also Bought



TE Part #206038-4  
CPC RECPT ASSEMBLY SIZE 17-28



TE Part #2333393-3  
QSFP 25GIG 30AWG 1 METER



TE Part #5746879-1  
HDF FILLISTER HEAD SCREW



TE Part #6-1625890-6  
2W SM M/OX 5% 68R



## Documents

### Product Drawings

[M12D4-MS-PVC TYPE B RED-0.5M](#)

English

### CAD Files

[3D PDF](#)

3D

Customer View Model

[ENG\\_CVM\\_CVM\\_TAD14141311-001\\_A.2d\\_dxf.zip](#)

English

Customer View Model

[ENG\\_CVM\\_CVM\\_TAD14141311-001\\_A.3d\\_igs.zip](#)

English

Customer View Model

[ENG\\_CVM\\_CVM\\_TAD14141311-001\\_A.3d\\_stp.zip](#)

English

By downloading the CAD file I accept and agree to the [Terms and Conditions](#) of use.

### Datasheets & Catalog Pages

[M8 / M12 Connector System Catalog](#)

English

[M8 / M12 Connector System Catalog](#)

Japanese

[M8/M12 Cable Assemblies Brochure](#)

English

### Product Specifications



English

---

**Product Environmental Compliance**

**Product Compliance**

English

**Product Compliance**

English