



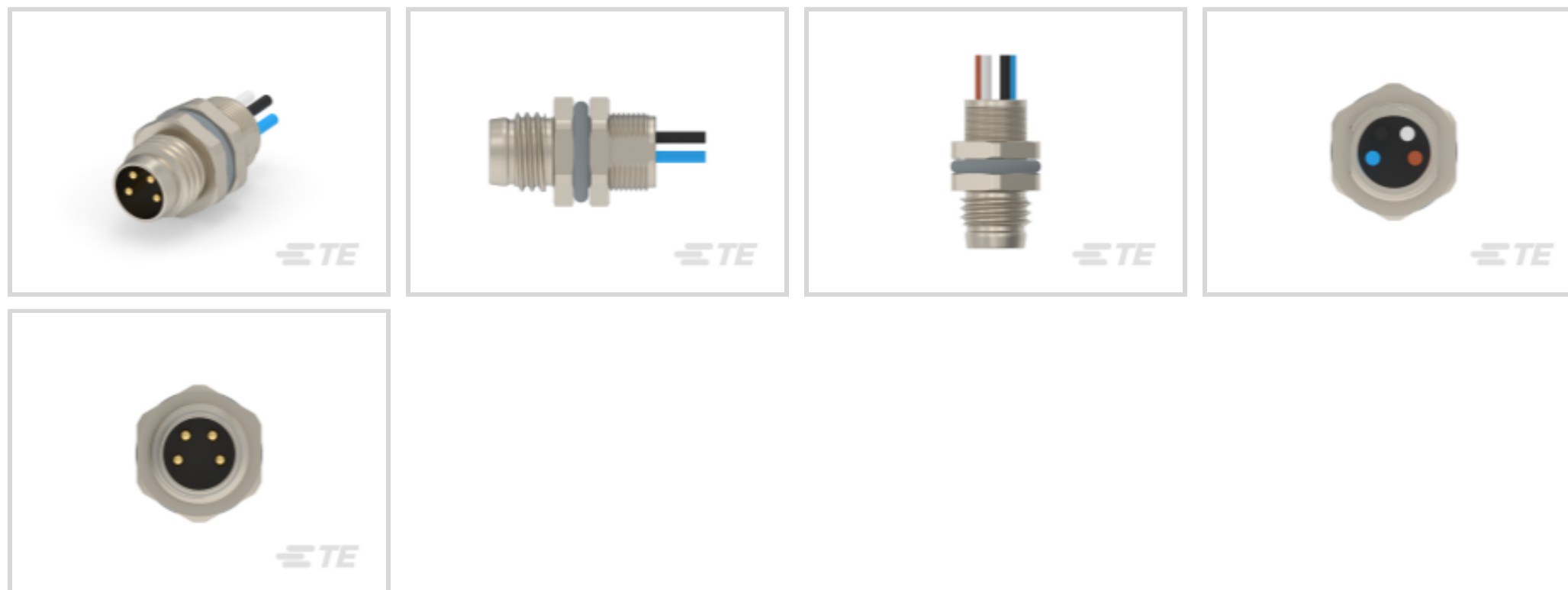
M8 Connector

TE Internal #: T4072014041-001

Standard Circular Connectors, Wire-to-Board, 4 Position, Sealable, Wire & Cable, Signal, Nickel, Brass, A Polarization Code, M8 Connector

[View on TE.com >](#)

Connectors > Circular Connectors > Standard Circular Connectors > M8 Panel Mount Wire



Connector System: **Wire-to-Board**

Number of Positions: **4**

Sealable: **Yes**

Connector & Contact Terminates To: **Wire & Cable**

Contact Current Rating (Max): **3 A**

[All M8 Panel Mount Wire \(8\)](#)

Features

Product Type Features

| | |
|-----------------------------------|----------------------|
| Prewired | Yes |
| Product Type | Connector Assembly |
| Accessory Color | Black |
| Assembly Type | Electrical Connector |
| Connector System | Wire-to-Board |
| Sealable | Yes |
| Connector & Contact Terminates To | Wire & Cable |
| Circular Connector Type | Plug |
| Shell Type | Metal |

Configuration Features

| | |
|---------------------------------------|----|
| Keying & Polarized Position Locations | A |
| Factory Installed Backshell | No |
| Keying | A |



| | |
|----------------------------|-----|
| Number of Positions | 4 |
| Number of Power Positions | 0 |
| Number of Signal Positions | 4 |
| Contacts Preloaded | Yes |

Electrical Characteristics

| | |
|-------------------|--------|
| Operating Voltage | 30 VAC |
|-------------------|--------|

Body Features

| | |
|---|-------------------|
| Peripheral Seal Material | Silicone |
| Environmental Protection | IP67 |
| O-Ring Material | Silicone |
| Environmental Protection Type | Sealed |
| Shell Plating Material | Nickel |
| Shell Base Material | Brass |
| Circular Connector Insulation Material Type | Polyamide 67 GF30 |

Contact Features

| | |
|---------------------------------|-----|
| Contact Current Rating (Max) | 3 A |
| Reverse Gender | No |
| Circular Connector Contact Type | Pin |

Mechanical Attachment

| | |
|-----------------------|-------|
| Polarization Code | A |
| Mating Alignment Type | Keyed |

Housing Features

| | |
|-------------------------------|------|
| Circular Connector Shell Size | 12.6 |
|-------------------------------|------|

Usage Conditions

| | |
|-----------------------------|---------------------------|
| IP Dust Sealing Level | 6 |
| IP Water Sealing Level | IP67 |
| Operating Temperature Range | -40 – 85 °C[-40 – 185 °F] |

Operation/Application

| | |
|---------------------|--------|
| Circuit Application | Signal |
| Shielded | No |

Industry Standards

| | |
|--|--|
| | |
|--|--|



| | |
|------------------------|---------|
| UL Flammability Rating | UL 94HB |
|------------------------|---------|

Packaging Features

| | |
|--------------------|---|
| Packaging Quantity | 1 |
|--------------------|---|

Product Compliance

[For compliance documentation, visit the product page on TE.com>](#)

| | |
|---|--|
| EU RoHS Directive 2011/65/EU | Compliant with Exemptions |
| EU ELV Directive 2000/53/EC | Compliant with Exemptions |
| China RoHS 2 Directive MIIT Order No 32, 2016 | Restricted Materials Above Threshold |
| EU REACH Regulation (EC) No. 1907/2006 | Current ECHA Candidate List: JUNE 2023 (235) Candidate List Declared Against: JUNE 2023 (235) SVHC > Threshold: Pb (4% in Component Part) Article Safe Usage Statements: Do not eat, drink or smoke when using this product. Wash thoroughly after handling. Recycle if possible and dispose of the article by following all applicable governmental regulations relevant to your geographic location. |
| Halogen Content | Not Low Halogen - contains Br or Cl > 900 ppm. |
| Solder Process Capability | Not applicable for solder process capability |

Product Compliance Disclaimer

This information is provided based on reasonable inquiry of our suppliers and represents our current actual knowledge based on the information they provided. This information is subject to change. The part numbers that TE has identified as EU RoHS compliant have a maximum concentration of 0.1% by weight in homogenous materials for lead, hexavalent chromium, mercury, PBB, PBDE, DBP, BBP, DEHP, DIBP, and 0.01% for cadmium, or qualify for an exemption to these limits as defined in the Annexes of Directive 2011/65/EU (RoHS2). Finished electrical and electronic equipment products will be CE marked as required by Directive 2011/65/EU. Components may not be CE marked. Additionally, the part numbers that TE has identified as EU ELV compliant have a maximum concentration of 0.1% by weight in homogenous materials for lead, hexavalent chromium, and mercury, and 0.01% for cadmium, or qualify for an exemption to these limits as defined in the Annexes of Directive 2000/53/EC (ELV). Regarding the REACH Regulation, the information TE provides on SVHC in articles for this part number is based on the latest European Chemicals Agency (ECHA) 'Guidance on requirements for substances in articles' posted at this URL: <https://echa.europa.eu/guidance-documents/guidance-on-reach>

Compatible Parts





Also in the Series | M8 Connector

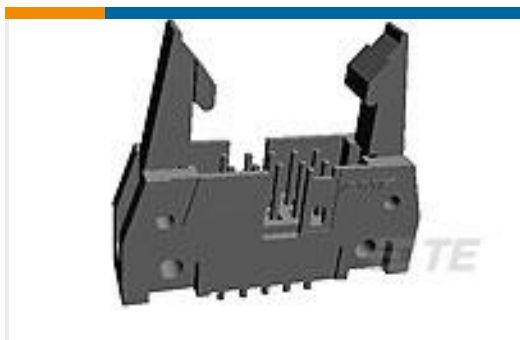


M8/M12 Cable Assemblies(147)

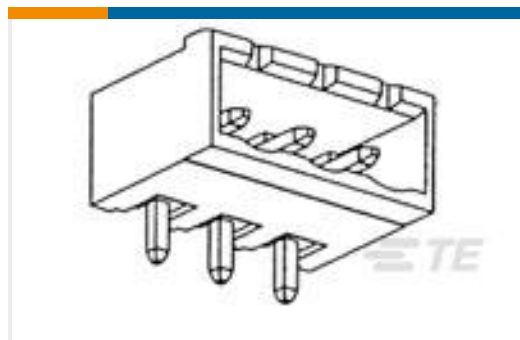


Standard Circular Connectors(72)

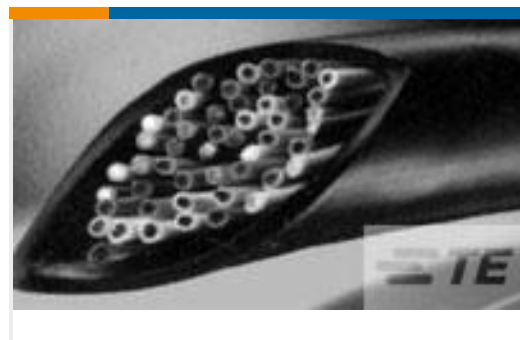
Customers Also Bought



TE Part #5499910-3
A/L UNIV HDR 16P VERT SHT LAT



TE Part #1-796644-0
10POS 5.0MM CE R/A HDR,TRM BLK



TE Part #C96433-000
NT-MIL-1/4-0-SP



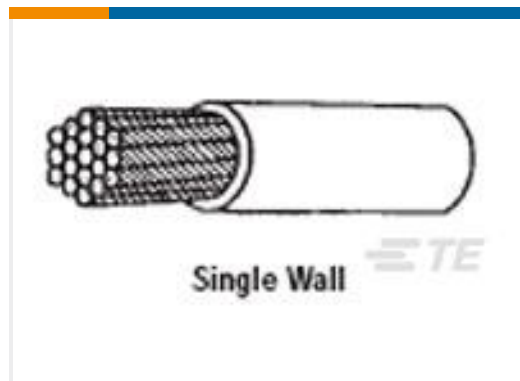
TE Part #NB-PTCO-158
Pt100, 2.0x5.0, Class A, PTFD101A1A0



TE Part #DRC13-70PA-B027
HDR, 70P, BLK, RA, M5, FLG, NI/CU, A



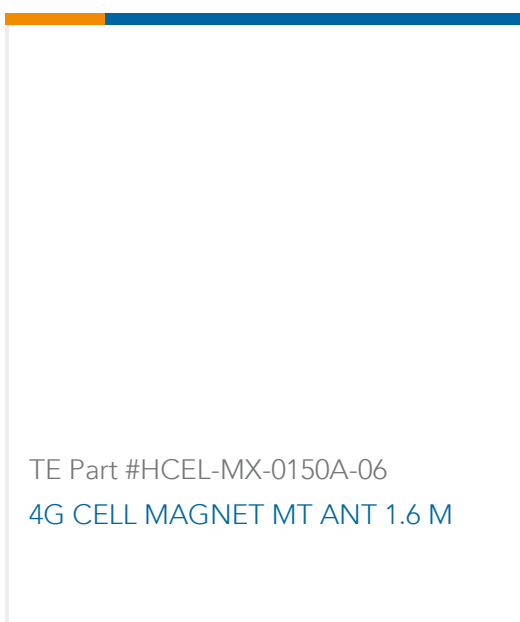
TE Part #T4062124004-005
RPC-M8-4MS-5.0SH-M8-4FR-PUR



TE Part #793893-000
82A0111-24-9



TE Part #GA10K3CG4
CHPC-TAIWAN GOLD CHIP



TE Part #HCEL-MX-0150A-06
4G CELL MAGNET MT ANT 1.6 M

Documents

Product Drawings

M8.MLE.PNLFRONT.4POS.STR WIRE

English

CAD Files

3D PDF

3D



Customer View Model

[ENG_CVM_CVM_T4072014041-001_A.2d_dxf.zip](#)

English

Customer View Model

[ENG_CVM_CVM_T4072014041-001_A.3d_igs.zip](#)

English

Customer View Model

[ENG_CVM_CVM_T4072014041-001_A.3d_stp.zip](#)

English

By downloading the CAD file I accept and agree to the [Terms and Conditions](#) of use.

Datasheets & Catalog Pages

[M8 / M12 Connector System Catalog](#)

English

[M8 / M12 Connector System Catalog](#)

Japanese

Product Specifications

[Application Specification](#)

English

[Application Specification](#)

English

Agency Approvals

[UL](#)

English