



Connectors > Connector Accessories > Connector Strain Relief



Strain Relief Accessory Type: **Cable Gland**

Sealable: **Yes**

Features

Product Type Features

Strain Relief Accessory Type	Cable Gland
Sealable	Yes

Product Compliance

[For compliance documentation, visit the product page on TE.com>](#)

EU RoHS Directive 2011/65/EU	Compliant with Exemptions
EU ELV Directive 2000/53/EC	Compliant
China RoHS 2 Directive MIIT Order No 32, 2016	Restricted Materials Above Threshold
EU REACH Regulation (EC) No. 1907/2006	Current ECHA Candidate List: JUNE 2023 (235) Candidate List Declared Against: JUNE 2023 (235) SVHC > Threshold: Pb (2.8% in Component Part) Article Safe Usage Statements: Do not eat, drink or smoke when using this product. Wash thoroughly after handling. Recycle if possible and dispose of the article by following all applicable governmental regulations relevant to your geographic location.
Halogen Content	Low Halogen - Br, Cl, F, I < 900 ppm per homogenous material. Also BFR/CFR/PVC Free
Solder Process Capability	Not reviewed for solder process capability

Product Compliance Disclaimer

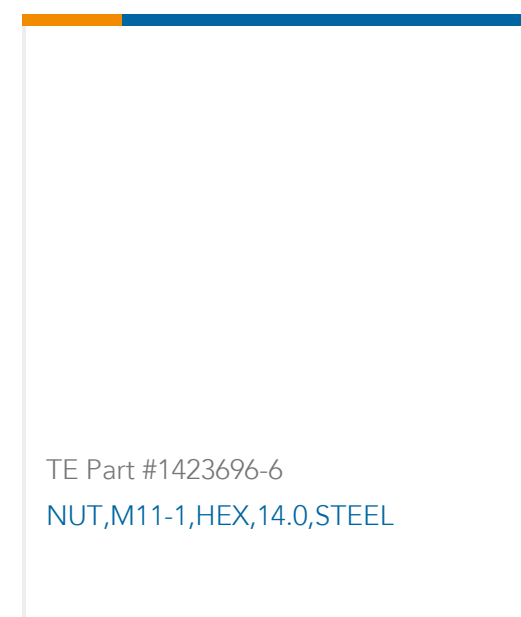
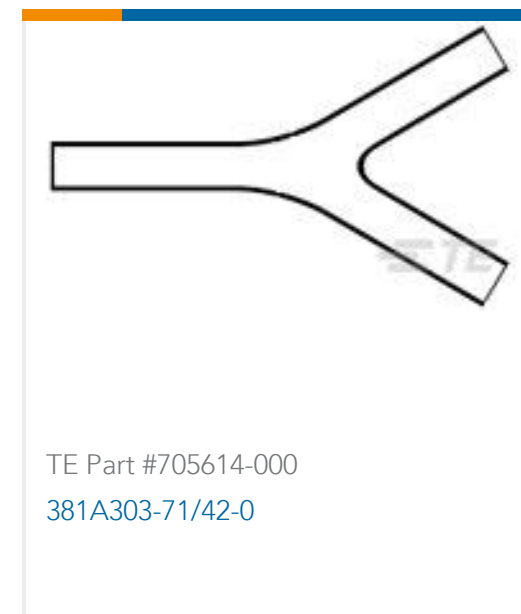
This information is provided based on reasonable inquiry of our suppliers and represents our current actual knowledge based on the information they provided. This information is subject to change. The part numbers that TE has identified as EU RoHS compliant have a maximum concentration of 0.1% by weight in homogenous materials for lead, hexavalent chromium, mercury, PBB, PBDE, DBP, BBP, DEHP, DIBP, and 0.01% for cadmium, or qualify for an exemption to these limits as defined in the Annexes of Directive 2011/65/EU (RoHS2). Finished electrical and electronic equipment products will be CE marked as required by Directive 2011/65/EU. Components may not be CE marked. Additionally, the part numbers that TE has identified as EU ELV compliant have a maximum concentration of 0.1% by weight in homogenous materials for lead, hexavalent chromium, and mercury, and 0.01% for cadmium, or qualify for an exemption to these limits as defined in the Annexes of Directive 2000/53/EC (ELV). Regarding the REACH Regulation, the information TE provides on SVHC in articles for this part number is based on the latest European Chemicals Agency (ECHA) 'Guidance on requirements for substances in articles' posted at this URL: <https://echa.europa.eu/guidance-documents/guidance-on-reach>

Compatible Parts

 <p>TE Part # T1910240129-000 H24BPR-TSH-PG29</p>	 <p>TE Part # T1920240129-000 H24BPR-TGH-PG29</p>	 <p>TE Part # T3165290101-000 BLIND-29-MS</p>	 <p>TE Part # T1790242129-000 H24B-TBFH-PG29</p>
 <p>TE Part # T1902101229-000 H10BPR-TS/GHC-2PG29</p>	 <p>TE Part # T1902241229-000 H24BPR-TS/GHC-2PG29</p>	 <p>TE Part # T1910161129-000 H16BPR-TSH-PG29</p>	 <p>TE Part # T1910240129-002 H24BPR-TSH-XL-PG29</p>
 <p>TE Part # T1910241129-000 H24BPR-TSH-PG29</p>	 <p>TE Part # T1912100129-000 H10BPR-TSHC-PG29</p>	 <p>TE Part # T1912101129-000 H10BPR-TSHC-PG29</p>	 <p>TE Part # T1912102129-000 H10BPR-TSHC-PG29</p>
 <p>TE Part # T1916240129-001 H24BPR-TSH-4S-PG29</p>	 <p>TE Part # T1920161129-000 H16BPR-TGH-PG29</p>	 <p>TE Part # T1922100129-000 H10BPR-TGHC-PG29</p>	 <p>TE Part # T1922101129-000 H10BPR-TGHC-PG29</p>



Customers Also Bought



Documents

Product Drawings

[DLX-29-MTS](#)

English

CAD Files

[3D PDF](#)

3D

Customer View Model

[ENG_CVM_CVM_T3609290111-000_A.2d_dxf.zip](#)

English

Customer View Model

[ENG_CVM_CVM_T3609290111-000_A.3d_igs.zip](#)

English

Customer View Model

[ENG_CVM_CVM_T3609290111-000_A.3d_stp.zip](#)

English

By downloading the CAD file I accept and agree to the [Terms and Conditions](#) of use.



Datasheets & Catalog Pages

Heavy Duty Connectors

English

HEAVY DUTY CONNECTORS

English

Product Specifications

Application Specification

English