



HDC | HDC PIN

TE Internal #: T2580032154-000

Rectangular Contact Inserts, Insert for Contacts, Socket, 4 Pole Configuration, Crimp Terminal, 4 Position, 26 – 14 AWG Wire Size, 10 A, HDC PIN

[View on TE.com >](#)

Connectors > Rectangular Connectors > Rectangular Contact Inserts



Rectangular Connector Insert Type: **Insert for Contacts**

Contact Type: **Socket**

Pole Configuration: **4**

Termination Method to Wire & Cable: **Crimp Terminal**

Number of Positions: **4**

Features

Product Type Features

Rectangular Connector Insert Type	Insert for Contacts
Sealable	No

Configuration Features

Number of Positions	4
---------------------	---

Contact Features

Contact Type	Socket
Pole Configuration	4
Contact Current Rating (Max)	10 A

Termination Features

Termination Method to Wire & Cable	Crimp Terminal
------------------------------------	----------------

Dimensions

Wire Size	26 – 14 AWG
-----------	-------------

Operation/Application



Circuit Application	Signal
---------------------	--------

Product Compliance

[For compliance documentation, visit the product page on TE.com>](#)

EU RoHS Directive 2011/65/EU	Compliant
EU ELV Directive 2000/53/EC	Compliant
China RoHS 2 Directive MIIT Order No 32, 2016	No Restricted Materials Above Threshold
EU REACH Regulation (EC) No. 1907/2006	Current ECHA Candidate List: JUNE 2023 (235) Candidate List Declared Against: JAN 2022 (223) Does not contain REACH SVHC
Halogen Content	Not Yet Reviewed for halogen content
Solder Process Capability	Not reviewed for solder process capability

Product Compliance Disclaimer

This information is provided based on reasonable inquiry of our suppliers and represents our current actual knowledge based on the information they provided. This information is subject to change. The part numbers that TE has identified as EU RoHS compliant have a maximum concentration of 0.1% by weight in homogenous materials for lead, hexavalent chromium, mercury, PBB, PBDE, DBP, BBP, DEHP, DIBP, and 0.01% for cadmium, or qualify for an exemption to these limits as defined in the Annexes of Directive 2011/65/EU (RoHS2). Finished electrical and electronic equipment products will be CE marked as required by Directive 2011/65/EU. Components may not be CE marked. Additionally, the part numbers that TE has identified as EU ELV compliant have a maximum concentration of 0.1% by weight in homogenous materials for lead, hexavalent chromium, and mercury, and 0.01% for cadmium, or qualify for an exemption to these limits as defined in the Annexes of Directive 2000/53/EC (ELV). Regarding the REACH Regulation, the information TE provides on SVHC in articles for this part number is based on the latest European Chemicals Agency (ECHA) 'Guidance on requirements for substances in articles' posted at this URL: <https://echa.europa.eu/guidance-documents/guidance-on-reach>

Compatible Parts



Also in the Series | [HDC PIN](#)



Connector Contacts(1)



Insertion & Extraction Tools(1)



Rectangular Contact Inserts(14)

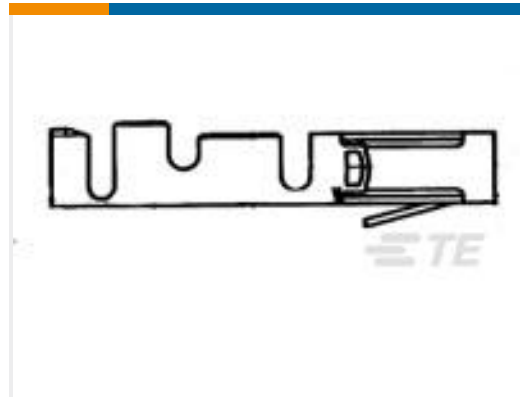
Customers Also Bought



TE Part #T3609200102-000
DLX-20-M



TE Part #T2040242101-000
HE-024-M



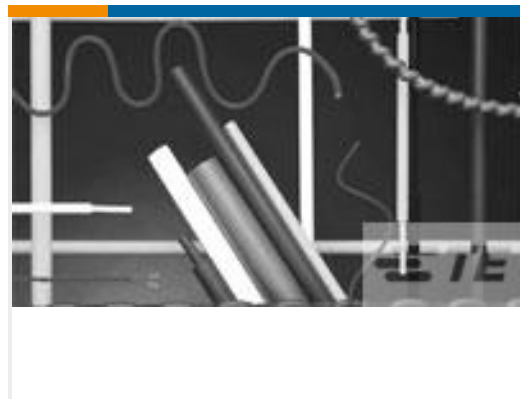
TE Part #280530-2
AMP MODU MOD 2 CONT



TE Part #T1210100120-000
H10B-TS-M20



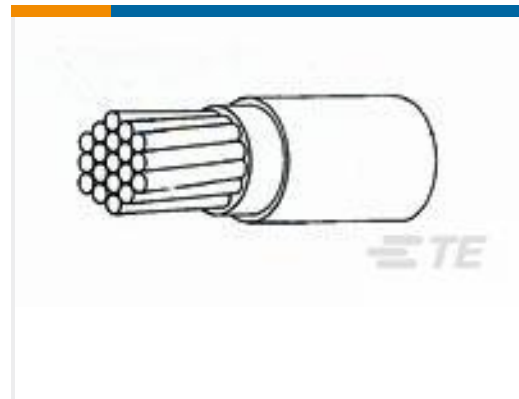
TE Part #T2110052201-000
HMN-005-FS



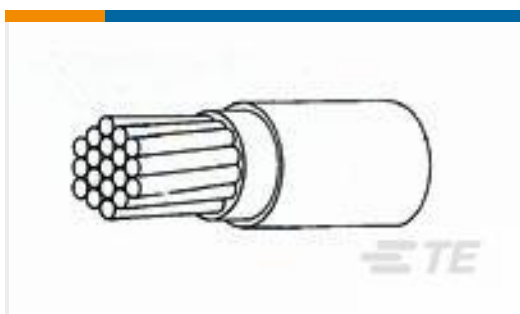
TE Part #4431574001
GPO-135-4.8/2.4-0-SP



TE Part #CT72153001
44/7031-22-9CK0001



TE Part #CT82453001
44/7031-18-0CK0001



TE Part #CT82443001
44/7031-16-0CK0001



TE Part #CQ46883001
44/7031-20-9CK0001

Documents

Product Drawings

PIN-Q2-F

English

CAD Files

3D PDF

3D

Customer View Model

ENG_CVM_CVM_T2580032154-000_A.2d_dxf.zip



English

Customer View Model

[ENG_CVM_CVM_T2580032154-000_A.3d_igs.zip](#)

English

Customer View Model

[ENG_CVM_CVM_T2580032154-000_A.3d_stp.zip](#)

English

By downloading the CAD file I accept and agree to the [Terms and Conditions](#) of use.

Datasheets & Catalog Pages

Heavy Duty Connectors

English

HEAVY DUTY CONNECTORS

English

Product Specifications

Application Specification

English