

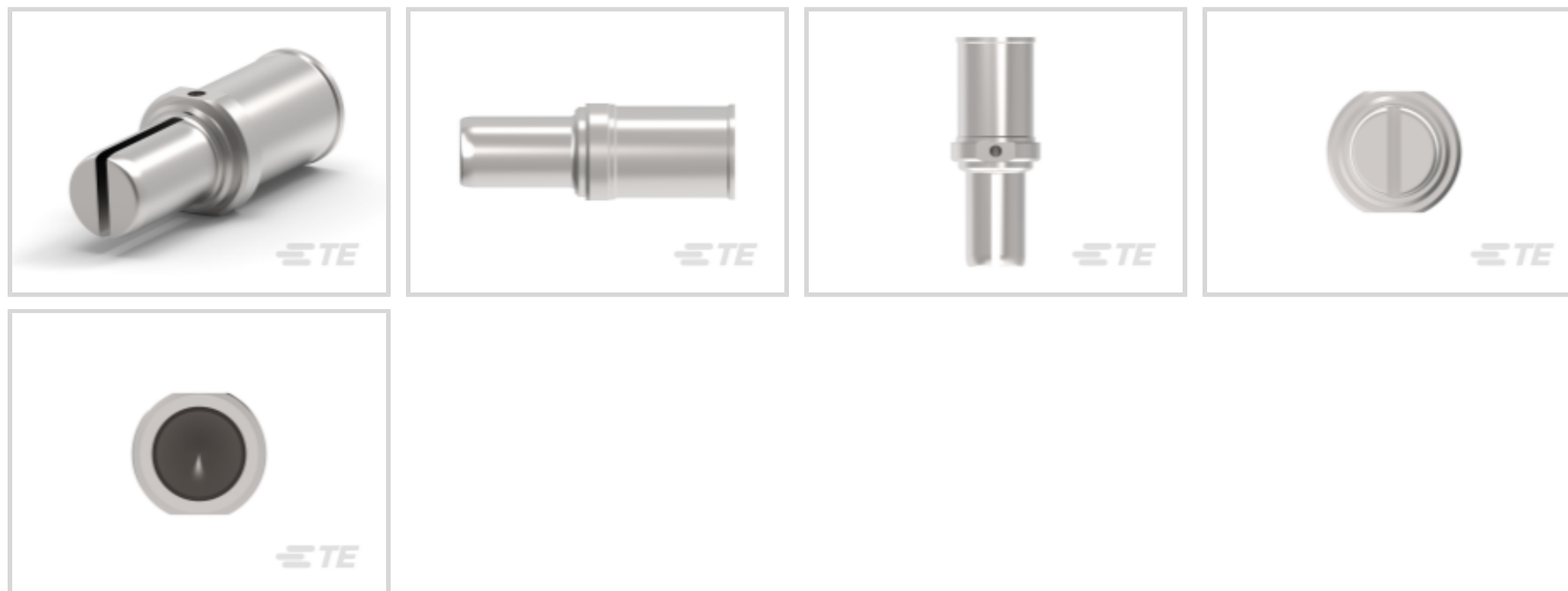


TE Internal #: T2196501185-001

Connector Contacts, Pin, Silver, Silver, Holder Contact Retention, Size Size 20, Discrete Wire, 185 mm² Wire Size, 365000 CMA Wire Size, Crimp, Copper

[View on TE.com >](#)

Connectors > Rectangular Connectors > Connector Contacts



Contact Type: **Pin**

Contact Mating Area Plating Material: **Silver**

Wire Contact Termination Area Plating Material: **Silver**

Contact Retention Type Within Housing: **Holder**

Contact Size: **Size 20**

Features

Product Type Features

Discrete Wire Type	Solid or Stranded
Connector & Contact Terminates To	Wire & Cable

Configuration Features

Compatible With Wire & Cable Type	Discrete Wire
-----------------------------------	---------------

Electrical Characteristics

Contact Resistance	1 mΩ
--------------------	------

Contact Features

Contact Mating Area Plating Material Finish	Bright
Contact Type	Pin
Contact Mating Area Plating Material	Silver
Wire Contact Termination Area Plating Material	Silver
Contact Size	Size 20
Contact Base Material	Copper
Contact Current Rating (Max)	480 A



Termination Features

Termination Method to Wire & Cable	Crimp
------------------------------------	-------

Mechanical Attachment

Contact Retention Type Within Housing	Holder
---------------------------------------	--------

Dimensions

Wire Size	365000 CMA
-----------	------------

Usage Conditions

Operating Temperature Range	-40 – 125 °C[-40 – 257 °F]
-----------------------------	----------------------------

Operation/Application

Compatible With Wire Base Material	Copper
Circuit Application	Power

Product Compliance

[For compliance documentation, visit the product page on TE.com>](#)

EU RoHS Directive 2011/65/EU	Compliant
EU ELV Directive 2000/53/EC	Compliant
China RoHS 2 Directive MIIT Order No 32, 2016	No Restricted Materials Above Threshold
EU REACH Regulation (EC) No. 1907/2006	Current ECHA Candidate List: JUNE 2023 (235) Candidate List Declared Against: JUNE 2023 (235) Does not contain REACH SVHC
Halogen Content	Low Halogen - Br, Cl, F, I < 900 ppm per homogenous material. Also BFR/CFR/PVC Free
Solder Process Capability	Not reviewed for solder process capability

Product Compliance Disclaimer

This information is provided based on reasonable inquiry of our suppliers and represents our current actual knowledge based on the information they provided. This information is subject to change. The part numbers that TE has identified as EU RoHS compliant have a maximum concentration of 0.1% by weight in homogenous materials for lead, hexavalent chromium, mercury, PBB, PBDE, DBP, BBP, DEHP, DIBP, and 0.01% for cadmium, or qualify for an exemption to these limits as defined in the Annexes of Directive 2011/65/EU (RoHS2). Finished electrical and electronic equipment products will be CE marked as required by Directive 2011/65/EU. Components may not be CE marked. Additionally, the part numbers that TE has identified as EU ELV compliant have a maximum concentration of 0.1% by weight in homogenous materials for lead, hexavalent chromium, and mercury, and 0.01% for cadmium, or qualify for an exemption to these limits as defined in the Annexes of Directive 2000/53/EC (ELV). Regarding the REACH Regulation, the information TE provides on SVHC in articles for this part number is based on the latest European Chemicals Agency (ECHA) 'Guidance on requirements for substances in articles' posted at this URL: <https://echa.europa.eu/guidance-documents/guidance-on-reach>



Compatible Parts



Customers Also Bought



Documents

Product Drawings

[HCM650-MC-185](#)

English

CAD Files

[3D PDF](#)

3D

Customer View Model

[ENG_CVM_CVM_T2196501185-001_A.2d_dxf.zip](#)

English

Customer View Model

[ENG_CVM_CVM_T2196501185-001_A.3d_igs.zip](#)

English

Customer View Model

[ENG_CVM_CVM_T2196501185-001_A.3d_stp.zip](#)

English

By downloading the CAD file I accept and agree to the [Terms and Conditions](#) of use.

Datasheets & Catalog Pages

[HEAVY DUTY CONNECTORS](#)

English

Product Specifications

[Application Specification](#)



English

Product Environmental Compliance

Product Compliance

English

Product Compliance

English