



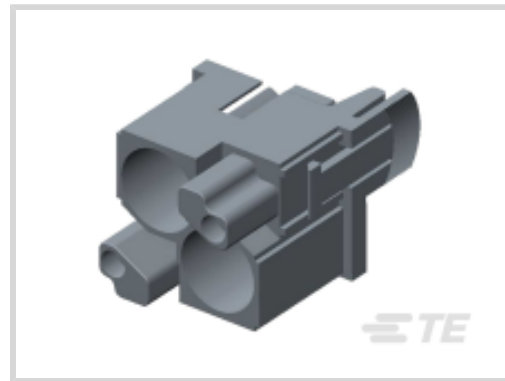
HDC | HDC HMN

TE Internal #: T2111027201-000

Rectangular Contact Inserts, Insert for Contacts, Socket, 2 Pole Configuration, 2 Position, 26 – 12 AWG Wire Size, .14 – 4 mm² Wire Size, HDC HMN

[View on TE.com >](#)

Connectors > Rectangular Connectors > Rectangular Contact Inserts



Rectangular Connector Insert Type: **Insert for Contacts**

Contact Type: **Socket**

Pole Configuration: **2**

Number of Positions: **2**

Sealable: **No**

Features

Product Type Features

Rectangular Connector Insert Type	Insert for Contacts
Sealable	No

Configuration Features

Number of Positions	2
---------------------	---

Contact Features

Contact Type	Socket
Pole Configuration	2
Contact Current Rating (Max)	16 A

Dimensions

Wire Size	.14 – 4 mm ²
-----------	-------------------------

Operation/Application

Circuit Application	Power & Signal
---------------------	----------------

Product Compliance

[For compliance documentation, visit the product page on TE.com>](#)

EU RoHS Directive 2011/65/EU	Compliant
EU ELV Directive 2000/53/EC	Compliant



China RoHS 2 Directive MIIT Order No 32, 2016	No Restricted Materials Above Threshold
EU REACH Regulation (EC) No. 1907/2006	Current ECHA Candidate List: JUNE 2023 (235) Candidate List Declared Against: JAN 2022 (223) Does not contain REACH SVHC
Halogen Content	Low Bromine/Chlorine - Br and Cl < 900 ppm per homogenous material. Also BFR /CFR/PVC Free
Solder Process Capability	Not reviewed for solder process capability

Product Compliance Disclaimer

This information is provided based on reasonable inquiry of our suppliers and represents our current actual knowledge based on the information they provided. This information is subject to change. The part numbers that TE has identified as EU RoHS compliant have a maximum concentration of 0.1% by weight in homogenous materials for lead, hexavalent chromium, mercury, PBB, PBDE, DBP, BBP, DEHP, DIBP, and 0.01% for cadmium, or qualify for an exemption to these limits as defined in the Annexes of Directive 2011/65/EU (RoHS2). Finished electrical and electronic equipment products will be CE marked as required by Directive 2011/65/EU. Components may not be CE marked. Additionally, the part numbers that TE has identified as EU ELV compliant have a maximum concentration of 0.1% by weight in homogenous materials for lead, hexavalent chromium, and mercury, and 0.01% for cadmium, or qualify for an exemption to these limits as defined in the Annexes of Directive 2000/53/EC (ELV). Regarding the REACH Regulation, the information TE provides on SVHC in articles for this part number is based on the latest European Chemicals Agency (ECHA) 'Guidance on requirements for substances in articles' posted at this URL: <https://echa.europa.eu/guidance-documents/guidance-on-reach>

Compatible Parts



TE Part # T1500063000-000
H6B-AG



TE Part # T1010062100-000
H6B-KDBP



TE Part # T2111027101-000
HMN-Q1-M



TE Part # T2070064201-000
H6BN-T2-F



TE Part # T2580012154-007
PIN-Q1-F

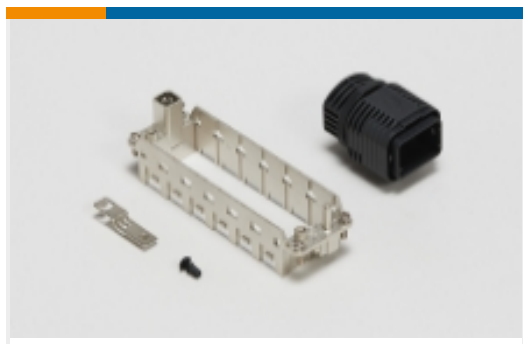
Also in the Series | **HDC HMN**



Connector Contacts(2)



Insertion & Extraction Tools(1)



Rectangular Connector Hardware(16)



Rectangular Contact Inserts(119)

Customers Also Bought



TE Part #T1230160140-000
H16B-TSH-M40



TE Part #T2111122101-000
HMN-012-M



TE Part #T3110009902-000
HMN-DM



TE Part #T2020011002-000
DDM-0.3



TE Part #T2020012002-000
DDF-0.3



TE Part #T2020012008-000
DDF-0.75



TE Part #T2111027101-000
HMN-Q1-M



TE Part #T2111122201-000
HMN-012-F



TE Part #T2580031154-007
PIN-Q2-M



TE Part #T1240160140-002
H16B-TGH-M40

Documents

Product Drawings

[HMN-Q1-F](#)

English

CAD Files

[3D PDF](#)

3D

Customer View Model

[ENG_CVM_CVM_T2111027201-000_B.2d_dxf.zip](#)



English

Customer View Model

[ENG_CVM_CVM_T2111027201-000_B.3d_igs.zip](#)

English

Customer View Model

[ENG_CVM_CVM_T2111027201-000_B.3d_stp.zip](#)

English

By downloading the CAD file I accept and agree to the [Terms and Conditions](#) of use.

Datasheets & Catalog Pages

Heavy Duty Connectors

English

HEAVY DUTY CONNECTORS

English

Product Specifications

Application Specification

English