



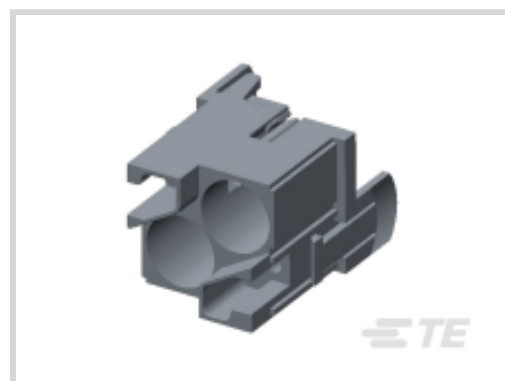
HDC

TE Internal #: T2111027101-002

Rectangular Contact Inserts, Insert for Contacts, Pin, 2 Pole Configuration, Crimp Terminal, 2 Position, 28 – 20 AWG Wire Size, 5 A, Power & Signal

[View on TE.com >](#)

Connectors > Rectangular Connectors > Rectangular Contact Inserts



Rectangular Connector Insert Type: **Insert for Contacts**

Contact Type: **Pin**

Pole Configuration: **2**

Termination Method to Wire & Cable: **Crimp Terminal**

Number of Positions: **2**

**Features**

**Product Type Features**

Rectangular Connector Insert Type	Insert for Contacts
Sealable	No

**Configuration Features**

Number of Positions	2
---------------------	---

**Electrical Characteristics**

Power Circuit Voltage	50 V
-----------------------	------

**Body Features**

Primary Product Color	Gray
-----------------------	------

**Contact Features**

Contact Type	Pin
Pole Configuration	2
Contact Current Rating (Max)	5 A

**Termination Features**

Termination Method to Wire & Cable	Crimp Terminal
------------------------------------	----------------

**Dimensions**

Wire Size	28 – 20 AWG
-----------	-------------

## Operation/Application

Circuit Application

Power &amp; Signal

## Product Compliance

For compliance documentation, visit the product page on TE.com>

EU RoHS Directive 2011/65/EU

Compliant

EU ELV Directive 2000/53/EC

Compliant

China RoHS 2 Directive MIIT Order No 32, 2016

No Restricted Materials Above Threshold

EU REACH Regulation (EC) No. 1907/2006

Current ECHA Candidate List: JUNE 2023 (235)  
Candidate List Declared Against: JAN 2022 (223)  
Does not contain REACH SVHC

Halogen Content

Low Bromine/Chlorine - Br and Cl < 900 ppm per homogenous material. Also BFR /CFR/PVC Free

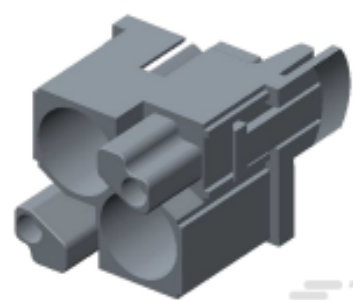
Solder Process Capability

Not reviewed for solder process capability

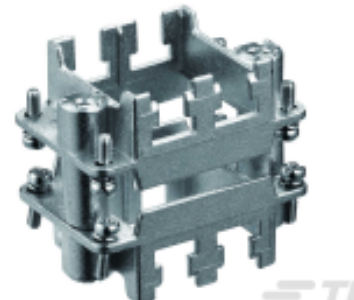
### Product Compliance Disclaimer

This information is provided based on reasonable inquiry of our suppliers and represents our current actual knowledge based on the information they provided. This information is subject to change. The part numbers that TE has identified as EU RoHS compliant have a maximum concentration of 0.1% by weight in homogenous materials for lead, hexavalent chromium, mercury, PBB, PBDE, DBP, BBP, DEHP, DIBP, and 0.01% for cadmium, or qualify for an exemption to these limits as defined in the Annexes of Directive 2011/65/EU (RoHS2). Finished electrical and electronic equipment products will be CE marked as required by Directive 2011/65/EU. Components may not be CE marked. Additionally, the part numbers that TE has identified as EU ELV compliant have a maximum concentration of 0.1% by weight in homogenous materials for lead, hexavalent chromium, and mercury, and 0.01% for cadmium, or qualify for an exemption to these limits as defined in the Annexes of Directive 2000/53/EC (ELV). Regarding the REACH Regulation, the information TE provides on SVHC in articles for this part number is based on the latest European Chemicals Agency (ECHA) 'Guidance on requirements for substances in articles' posted at this URL: <https://echa.europa.eu/guidance-documents/guidance-on-reach>

## Compatible Parts



TE Part # T2111027201-002  
HMN-Q3-F



TE Part # T2070064101-000  
H6BN-T2-M



TE Part # T1310060125-000  
H6B-TS-M25



TE Part # T3609250102-000  
DLX-25-M



## Customers Also Bought



## Documents

### Product Drawings

[HMN-Q3-M](#)

English

### CAD Files

[3D PDF](#)

3D

Customer View Model

[ENG\\_CVM\\_CVM\\_T2111027101-002\\_B.2d\\_dxf.zip](#)

English

Customer View Model

[ENG\\_CVM\\_CVM\\_T2111027101-002\\_B.3d\\_igs.zip](#)

English

Customer View Model

[ENG\\_CVM\\_CVM\\_T2111027101-002\\_B.3d\\_stp.zip](#)

English

By downloading the CAD file I accept and agree to the [Terms and Conditions](#) of use.



**Datasheets & Catalog Pages**

**Heavy Duty Connectors**

English

**HEAVY DUTY CONNECTORS**

English

---

**Product Specifications**

**Application Specification**

English