

T2110052201-000 ✓ ACTIVE

HDC | HDC HMN

TE Internal #: T2110052201-000

Rectangular Contact Inserts, Contact Insert, Socket, 5 Pole

Configuration, Spring Terminal, 5 Position, 14 – 20 AWG Wire Size,

HDC HMN

[View on TE.com >](#)



Connectors > Rectangular Connectors > Rectangular Contact Inserts



Rectangular Connector Insert Type: **Contact Insert**

Contact Type: **Socket**

Pole Configuration: **5**

Termination Method to Wire & Cable: **Spring Terminal**

Number of Positions: **5**

## Features

### Product Type Features

Rectangular Connector Insert Type	Contact Insert
Sealable	No

### Configuration Features

Number of Positions	5
---------------------	---

### Contact Features

Contact Type	Socket
Pole Configuration	5
Contact Current Rating (Max)	16 A

### Termination Features

Termination Method to Wire & Cable	Spring Terminal
------------------------------------	-----------------

### Dimensions

Wire Size	.5 – 2.5 mm <sup>2</sup>
-----------	--------------------------

### Operation/Application

Circuit Application

Power &amp; Signal

## Product Compliance

[For compliance documentation, visit the product page on TE.com>](#)

EU RoHS Directive 2011/65/EU

Compliant

EU ELV Directive 2000/53/EC

Compliant

China RoHS 2 Directive MIIT Order No 32, 2016

No Restricted Materials Above Threshold

EU REACH Regulation (EC) No. 1907/2006

Current ECHA Candidate List: JUNE 2023 (235)  
Candidate List Declared Against: JUNE 2023 (235)  
Does not contain REACH SVHC

Halogen Content

Low Bromine/Chlorine - Br and Cl < 900 ppm per homogenous material. Also BFR /CFR/PVC Free

Solder Process Capability

Not reviewed for solder process capability

### Product Compliance Disclaimer

This information is provided based on reasonable inquiry of our suppliers and represents our current actual knowledge based on the information they provided. This information is subject to change. The part numbers that TE has identified as EU RoHS compliant have a maximum concentration of 0.1% by weight in homogenous materials for lead, hexavalent chromium, mercury, PBB, PBDE, DBP, BBP, DEHP, DIBP, and 0.01% for cadmium, or qualify for an exemption to these limits as defined in the Annexes of Directive 2011/65/EU (RoHS2). Finished electrical and electronic equipment products will be CE marked as required by Directive 2011/65/EU. Components may not be CE marked. Additionally, the part numbers that TE has identified as EU ELV compliant have a maximum concentration of 0.1% by weight in homogenous materials for lead, hexavalent chromium, and mercury, and 0.01% for cadmium, or qualify for an exemption to these limits as defined in the Annexes of Directive 2000/53/EC (ELV). Regarding the REACH Regulation, the information TE provides on SVHC in articles for this part number is based on the latest European Chemicals Agency (ECHA) 'Guidance on requirements for substances in articles' posted at this URL: <https://echa.europa.eu/guidance-documents/guidance-on-reach>

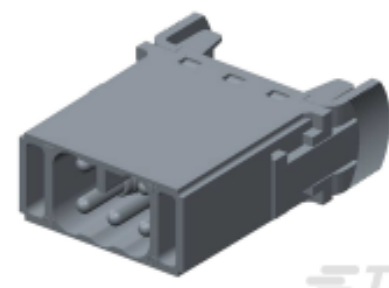
## Compatible Parts



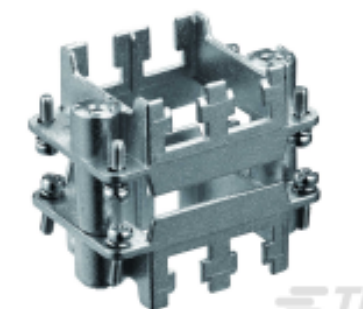
TE Part # T1500063000-000  
H6B-AG



TE Part # T1010062100-000  
H6B-KDBP



TE Part # T2110052101-000  
HMN-005-MS



TE Part # T2070064201-000  
H6BN-T2-F

Also in the Series | **HDC HMN**



Connector Contacts(2)



Insertion & Extraction Tools(1)



Rectangular Connector Hardware(16)



Rectangular Contact Inserts(119)

## Customers Also Bought



TE Part #T2040242101-000  
HE-024-M



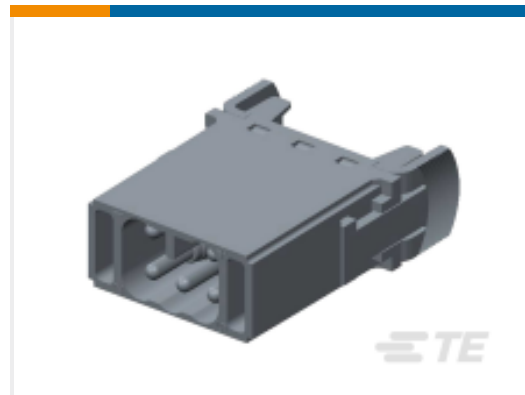
TE Part #T1210100120-000  
H10B-TS-M20



TE Part #T2070244001-000  
H24BN-T6



TE Part #T2090012201-004  
PNEU-C-FW6.0



TE Part #T2110052101-000  
HMN-005-MS



TE Part #T2030002040-000  
CEF-4.0



TE Part #T1470242132-000  
H24B-SGRH-M32



TE Part #T1620480132-000  
H48B-SDR-LB-M32



TE Part #T1210244132-000  
H24B-TS-M32

## Documents

### Product Drawings

[HMN-005-FS](#)

English

### CAD Files

[3D PDF](#)

3D

### Customer View Model

[ENG\\_CVM\\_CVM\\_T2110052201-000\\_B.2d\\_dxf.zip](#)



English

**Customer View Model**

[ENG\\_CVM\\_CVM\\_T2110052201-000\\_B.3d\\_igs.zip](#)

English

**Customer View Model**

[ENG\\_CVM\\_CVM\\_T2110052201-000\\_B.3d\\_stp.zip](#)

English

By downloading the CAD file I accept and agree to the [Terms and Conditions](#) of use.

---

## Datasheets & Catalog Pages

[Heavy Duty Connectors](#)

English

[HEAVY DUTY CONNECTORS](#)

English

---

## Product Specifications

[Application Specification](#)

English