



HDC

TE Internal #: T2050002010-000

Connector Contacts, Socket, Silver, Silver, 8 – 8 AWG Wire Size, 8.34 mm<sup>2</sup> Wire Size, Crimp, Copper Alloy, Wire & Cable, Power

[View on TE.com >](#)

Connectors > Rectangular Connectors > Connector Contacts



Contact Type: **Socket**

Contact Mating Area Plating Material: **Silver**

Wire Contact Termination Area Plating Material: **Silver**

Wire Size: **8.34 mm<sup>2</sup>**

**Features**

**Product Type Features**

Discrete Wire Type	Solid or Stranded
Sealable	No
Connector & Contact Terminates To	Wire & Cable

**Contact Features**

Contact Mating Area Plating Material Finish	Bright
Contact Underplating Material	Copper
Contact Type	Socket
Contact Mating Area Plating Material	Silver
Wire Contact Termination Area Plating Material	Silver
Contact Base Material	Copper Alloy
Contact Current Rating (Max)	100 A

**Termination Features**

Termination Method to Wire & Cable	Crimp
------------------------------------	-------

**Dimensions**

Wire Size	8.34 mm <sup>2</sup>
-----------	----------------------



### Operation/Application

Compatible With Wire Base Material	Copper
Circuit Application	Power

### Product Compliance

[For compliance documentation, visit the product page on TE.com>](#)

EU RoHS Directive 2011/65/EU	Compliant
EU ELV Directive 2000/53/EC	Compliant
China RoHS 2 Directive MIIT Order No 32, 2016	No Restricted Materials Above Threshold
EU REACH Regulation (EC) No. 1907/2006	Current ECHA Candidate List: JUNE 2023 (235) Candidate List Declared Against: JAN 2022 (223) Does not contain REACH SVHC
Halogen Content	Low Halogen - Br, Cl, F, I < 900 ppm per homogenous material. Also BFR/CFR/PVC Free
Solder Process Capability	Not reviewed for solder process capability

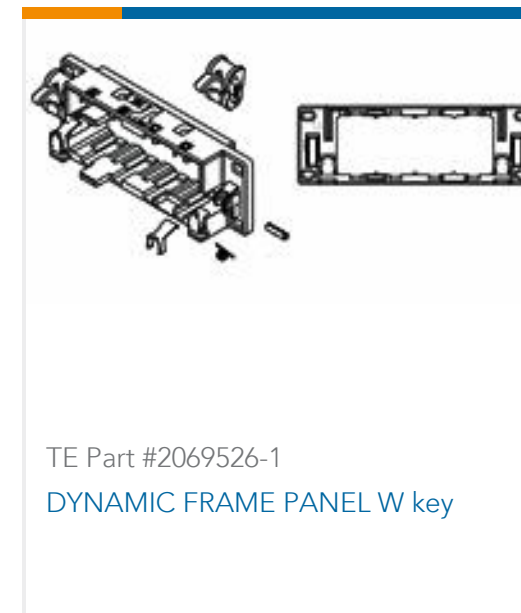
#### Product Compliance Disclaimer

This information is provided based on reasonable inquiry of our suppliers and represents our current actual knowledge based on the information they provided. This information is subject to change. The part numbers that TE has identified as EU RoHS compliant have a maximum concentration of 0.1% by weight in homogenous materials for lead, hexavalent chromium, mercury, PBB, PBDE, DBP, BBP, DEHP, DIBP, and 0.01% for cadmium, or qualify for an exemption to these limits as defined in the Annexes of Directive 2011/65/EU (RoHS2). Finished electrical and electronic equipment products will be CE marked as required by Directive 2011/65/EU. Components may not be CE marked. Additionally, the part numbers that TE has identified as EU ELV compliant have a maximum concentration of 0.1% by weight in homogenous materials for lead, hexavalent chromium, and mercury, and 0.01% for cadmium, or qualify for an exemption to these limits as defined in the Annexes of Directive 2000/53/EC (ELV). Regarding the REACH Regulation, the information TE provides on SVHC in articles for this part number is based on the latest European Chemicals Agency (ECHA) 'Guidance on requirements for substances in articles' posted at this URL: <https://echa.europa.eu/guidance-documents/guidance-on-reach>

### Compatible Parts



### Customers Also Bought



## Documents

### Product Drawings

[CNF-10](#)

English

### CAD Files

[3D PDF](#)

3D

Customer View Model

[ENG\\_CVM\\_CVM\\_T2050002010-000\\_A.2d\\_dxf.zip](#)

English

Customer View Model

[ENG\\_CVM\\_CVM\\_T2050002010-000\\_A.3d\\_igs.zip](#)

English

Customer View Model

[ENG\\_CVM\\_CVM\\_T2050002010-000\\_A.3d\\_stp.zip](#)

English

By downloading the CAD file I accept and agree to the [Terms and Conditions](#) of use.

### Datasheets & Catalog Pages

[Heavy Duty Connectors](#)

English

[HEAVY DUTY CONNECTORS](#)

English

### Product Specifications

[Product Specification](#)

English

T2050002010-000

Connector Contacts, Socket, Silver, Silver, 8 – 8 AWG Wire Size, 8.34 mm<sup>2</sup> Wire Size,  
Crimp, Copper Alloy, Wire & Cable, Power

