

T2040164201-000 ✓ ACTIVE

HDC | HDC HE

TE Internal #: T2040164201-000

Rectangular Contact Inserts, Insert for Contacts, Socket, 16+PE

Pole Configuration, Crimp Terminal, 16 Position, 26 – 12 AWG Wire

Size, HDC HE

[View on TE.com >](#)



Connectors > Rectangular Connectors > Rectangular Contact Inserts



Rectangular Connector Insert Type: **Insert for Contacts**

Contact Type: **Socket**

Pole Configuration: **16+PE**

Termination Method to Wire & Cable: **Crimp Terminal**

Number of Positions: **16**

Features

Product Type Features

Rectangular Connector Insert Type	Insert for Contacts
Sealable	No

Configuration Features

Number of Positions	16
---------------------	----

Contact Features

Contact Type	Socket
Pole Configuration	16+PE
Contact Current Rating (Max)	16 A

Termination Features

Termination Method to Wire & Cable	Crimp Terminal
------------------------------------	----------------

Dimensions

Wire Size	.14 – 4 mm ²
-----------	-------------------------

Operation/Application

Circuit Application	Power & Signal
---------------------	----------------

Product Compliance

[For compliance documentation, visit the product page on TE.com>](#)

EU RoHS Directive 2011/65/EU	Compliant
EU ELV Directive 2000/53/EC	Compliant
China RoHS 2 Directive MIIT Order No 32, 2016	No Restricted Materials Above Threshold
EU REACH Regulation (EC) No. 1907/2006	Current ECHA Candidate List: JUNE 2023 (235) Candidate List Declared Against: JUNE 2023 (235) Does not contain REACH SVHC
Halogen Content	Not Low Halogen - contains Br or Cl > 900 ppm.
Solder Process Capability	Not reviewed for solder process capability

Product Compliance Disclaimer

This information is provided based on reasonable inquiry of our suppliers and represents our current actual knowledge based on the information they provided. This information is subject to change. The part numbers that TE has identified as EU RoHS compliant have a maximum concentration of 0.1% by weight in homogenous materials for lead, hexavalent chromium, mercury, PBB, PBDE, DBP, BBP, DEHP, DIBP, and 0.01% for cadmium, or qualify for an exemption to these limits as defined in the Annexes of Directive 2011/65/EU (RoHS2). Finished electrical and electronic equipment products will be CE marked as required by Directive 2011/65/EU. Components may not be CE marked. Additionally, the part numbers that TE has identified as EU ELV compliant have a maximum concentration of 0.1% by weight in homogenous materials for lead, hexavalent chromium, and mercury, and 0.01% for cadmium, or qualify for an exemption to these limits as defined in the Annexes of Directive 2000/53/EC (ELV). Regarding the REACH Regulation, the information TE provides on SVHC in articles for this part number is based on the latest European Chemicals Agency (ECHA) 'Guidance on requirements for substances in articles' posted at this URL: <https://echa.europa.eu/guidance-documents/guidance-on-reach>

Compatible Parts



Also in the Series | **HDC HE**



Connector Contacts(32)



Rectangular Contact Inserts(127)

Customers Also Bought



TE Part #T1220160132-000
H16B-TG-M32



TE Part #T1510163000-000
H16B-AD-LB



TE Part #T1410102000-000
H10B-AG



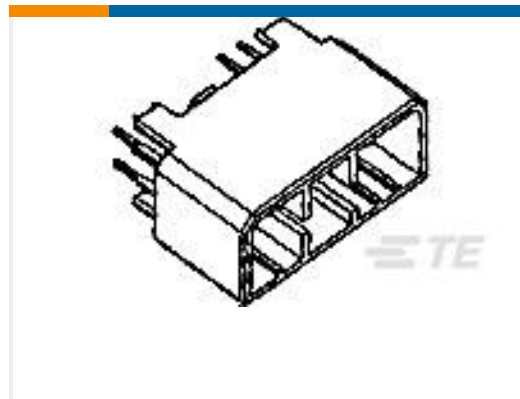
TE Part #T2030001015-000
CEM-1.5



TE Part #T2030002015-000
CEF-1.5



TE Part #T2030002025-000
CEF-2.5



TE Part #1-179019-1
070 MLC CAP V ASSY 14P



TE Part #1SNL608010R0000
C6/8



TE Part #1SNL608410R0000
C4/8.SF



TE Part #1SNL612010R0000
C16/12

Documents

Product Drawings

[HE-016-FC](#)

English

CAD Files

Customer View Model

[ENG_CVM_CVM_T2040164201-000_C.3d_stp.zip](#)

English

Customer View Model



[ENG_CVM_CVM_T2040164201-000_C.2d_dxf.zip](#)

English

Customer View Model

[ENG_CVM_CVM_T2040164201-000_C.3d_igs.zip](#)

English

3D PDF

3D

By downloading the CAD file I accept and agree to the [Terms and Conditions](#) of use.

Datasheets & Catalog Pages

Heavy Duty Connectors

English

HEAVY DUTY CONNECTORS

English

Product Specifications

Application Specification

English

Application Specification

Agency Approvals

Agency Approval Document

English