

T1932160001-009 ✓ ACTIVE

HDC | HDC IP68 EMC

TE Internal #: T1932160001-009

Heavy Duty Connector Base Housing, Bottom Entry, Screwlock,  
HDC IP68 EMC

[View on TE.com >](#)



Connectors > Rectangular Connectors > Rectangular Connector Hoods & Bases



Hood & Base Connector Product Type: **Base Housing**

Cable Entry Location: **Bottom**

Hood & Base Locking Device Type: **Screwlock**

## Features

### Product Type Features

Hood & Base Connector Product Type	Base Housing
------------------------------------	--------------

### Body Features

Primary Product Color	Black
Cable Entry Location	Bottom

### Mechanical Attachment

Locking Device Location	Hood
Hood & Base Locking Device Type	Screwlock

### Housing Features

Housing Material	Die Cast Aluminum
------------------	-------------------

### Dimensions

Product Width	60 mm[2.362 in]
Product Length	129.5 mm[5.098 in]
Product Height	21.9 mm[.862 in]

### Usage Conditions

Corrosion Protected	Yes
---------------------	-----



### Packaging Features

Packaging Quantity	1
Packaging Method	Bag

### Product Compliance

[For compliance documentation, visit the product page on TE.com>](#)

EU RoHS Directive 2011/65/EU	Compliant
EU ELV Directive 2000/53/EC	Compliant
China RoHS 2 Directive MIIT Order No 32, 2016	No Restricted Materials Above Threshold
EU REACH Regulation (EC) No. 1907/2006	Current ECHA Candidate List: JUNE 2023 (235) Candidate List Declared Against: JAN 2021 (211) Does not contain REACH SVHC
Halogen Content	Not Yet Reviewed for halogen content
Solder Process Capability	Not reviewed for solder process capability

#### Product Compliance Disclaimer

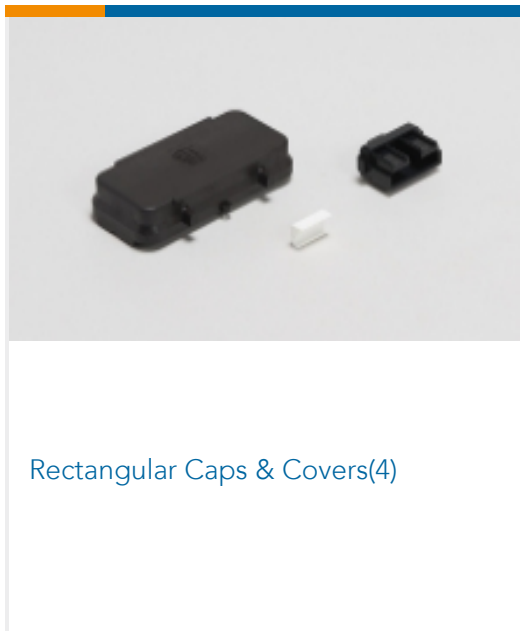
This information is provided based on reasonable inquiry of our suppliers and represents our current actual knowledge based on the information they provided. This information is subject to change. The part numbers that TE has identified as EU RoHS compliant have a maximum concentration of 0.1% by weight in homogenous materials for lead, hexavalent chromium, mercury, PBB, PBDE, DBP, BBP, DEHP, DIBP, and 0.01% for cadmium, or qualify for an exemption to these limits as defined in the Annexes of Directive 2011/65/EU (RoHS2). Finished electrical and electronic equipment products will be CE marked as required by Directive 2011/65/EU. Components may not be CE marked. Additionally, the part numbers that TE has identified as EU ELV compliant have a maximum concentration of 0.1% by weight in homogenous materials for lead, hexavalent chromium, and mercury, and 0.01% for cadmium, or qualify for an exemption to these limits as defined in the Annexes of Directive 2000/53/EC (ELV). Regarding the REACH Regulation, the information TE provides on SVHC in articles for this part number is based on the latest European Chemicals Agency (ECHA) 'Guidance on requirements for substances in articles' posted at this URL: <https://echa.europa.eu/guidance-documents/guidance-on-reach>

### Compatible Parts

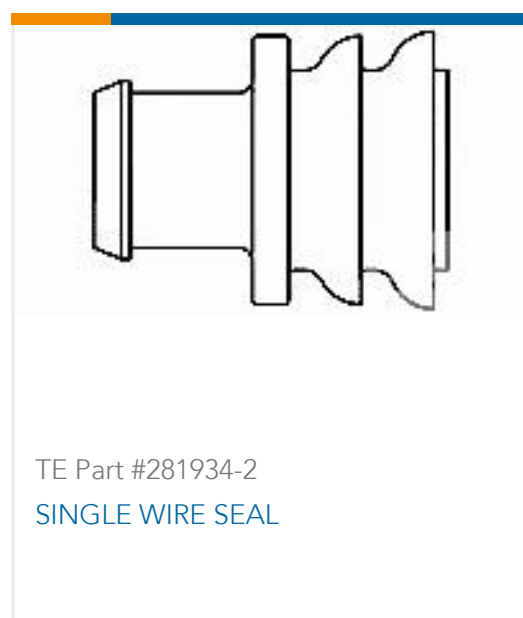
 <p>TE Part # T1922160132-009 H16BPR-TGHC-M32-EMC-C</p>	 <p>TE Part # T1922160121-009 H16BPR-TGHC-PG21-EMC-C</p>	 <p>TE Part # T1922160125-009 H16BPR-TGHC-M25-EMC-C</p>	 <p>TE Part # T1922160129-009 H16BPR-TGHC-PG29-EMC-C</p>
--	---	--	---



### Also in the Series | HDC IP68 EMC



### Customers Also Bought



### Documents

[Product Drawings](#)  
[H16BPR-AGCT-EMC-C](#)

English

[CAD Files](#)

[3D PDF](#)

[3D](#)



**Customer View Model**

[ENG\\_CVM\\_CVM\\_T1932160001-009\\_A.2d\\_dxf.zip](#)

English

**Customer View Model**

[ENG\\_CVM\\_CVM\\_T1932160001-009\\_A.3d\\_igs.zip](#)

English

**Customer View Model**

[ENG\\_CVM\\_CVM\\_T1932160001-009\\_A.3d\\_stp.zip](#)

English

By downloading the CAD file I accept and agree to the [Terms and Conditions](#) of use.

---

**Datasheets & Catalog Pages**

[HEAVY DUTY CONNECTORS](#)

English

---

**Product Specifications**

[Application Specification](#)

English

[Application Specification](#)