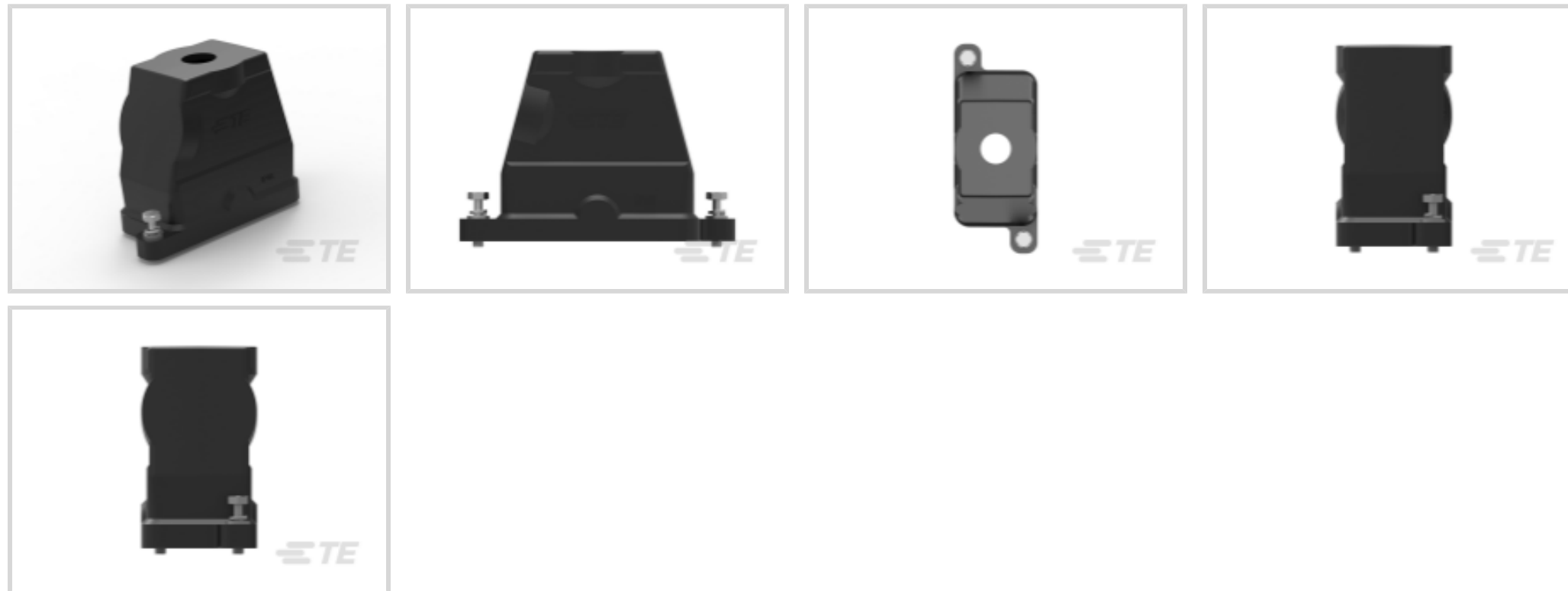




Connectors > Rectangular Connectors > Rectangular Connector Hoods & Bases



Hood & Base Connector Product Type: **Hood**

Cable Entry Location: **Top & Side**

Hood & Base Locking Device Type: **Screwlock**

Features

Product Type Features

| | |
|------------------------------------|------|
| Hood & Base Connector Product Type | Hood |
|------------------------------------|------|

Body Features

| | |
|-----------------------|------------|
| Primary Product Color | Black |
| Cable Entry Location | Top & Side |

Mechanical Attachment

| | |
|---------------------------------|-----------|
| Locking Device Location | Hood |
| Thread Size | PG16 |
| Hood & Base Locking Device Type | Screwlock |

Housing Features

| | |
|------------------|-------------------|
| Housing Material | Die Cast Aluminum |
|------------------|-------------------|

Dimensions

| | |
|----------------|------------------|
| Product Width | 58 mm[2.283 in] |
| Product Length | 146 mm[5.748 in] |
| Product Height | 101 mm[3.976 in] |

Usage Conditions

| | |
|--|--|
| | |
|--|--|



| | |
|---------------------|-----|
| Corrosion Protected | Yes |
|---------------------|-----|

Packaging Features

| | |
|--------------------|-----|
| Packaging Quantity | 1 |
| Packaging Method | Bag |

Product Compliance

[For compliance documentation, visit the product page on TE.com>](#)

| | |
|---|--|
| EU RoHS Directive 2011/65/EU | Compliant |
| EU ELV Directive 2000/53/EC | Compliant |
| China RoHS 2 Directive MIIT Order No 32, 2016 | No Restricted Materials Above Threshold |
| EU REACH Regulation (EC) No. 1907/2006 | Current ECHA Candidate List: JUNE 2023 (235) Candidate List Declared Against: JAN 2022 (223) Does not contain REACH SVHC |
| Halogen Content | BFR/CFR/PVC Free, but Br/Cl >900 ppm in other sources. |
| Solder Process Capability | Not reviewed for solder process capability |

Product Compliance Disclaimer

This information is provided based on reasonable inquiry of our suppliers and represents our current actual knowledge based on the information they provided. This information is subject to change. The part numbers that TE has identified as EU RoHS compliant have a maximum concentration of 0.1% by weight in homogenous materials for lead, hexavalent chromium, mercury, PBB, PBDE, DBP, BBP, DEHP, DIBP, and 0.01% for cadmium, or qualify for an exemption to these limits as defined in the Annexes of Directive 2011/65/EU (RoHS2). Finished electrical and electronic equipment products will be CE marked as required by Directive 2011/65/EU. Components may not be CE marked. Additionally, the part numbers that TE has identified as EU ELV compliant have a maximum concentration of 0.1% by weight in homogenous materials for lead, hexavalent chromium, and mercury, and 0.01% for cadmium, or qualify for an exemption to these limits as defined in the Annexes of Directive 2000/53/EC (ELV). Regarding the REACH Regulation, the information TE provides on SVHC in articles for this part number is based on the latest European Chemicals Agency (ECHA) 'Guidance on requirements for substances in articles' posted at this URL: <https://echa.europa.eu/guidance-documents/guidance-on-reach>

Compatible Parts



TE Part # T1930100000-009
H10BPR-AG-EMC-C



TE Part # T1950100132-009
H10BPR-SGRH-M32-EMC-C



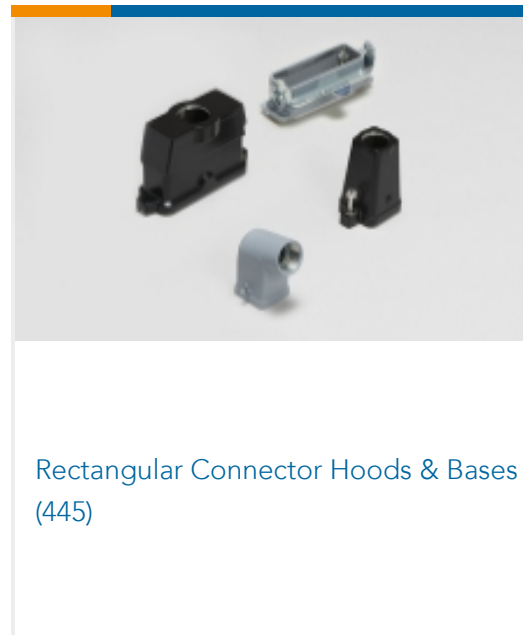
TE Part # T1950100121-009
H10BPR-SGRH-PG21-EMC-C



TE Part # T1950100125-009
H10BPR-SGRH-M25-EMC-C



Also in the Series | HDC IP68 EMC



Customers Also Bought





Documents

Product Drawings

[H10BPR-TGH-PG16-EMC-C](#)

English

CAD Files

[3D PDF](#)

3D

Customer View Model

[ENG_CVM_CVM_T1920100116-009_A.2d_dxf.zip](#)

English

Customer View Model

[ENG_CVM_CVM_T1920100116-009_A.3d_igs.zip](#)

English

Customer View Model

[ENG_CVM_CVM_T1920100116-009_A.3d_stp.zip](#)

English

By downloading the CAD file I accept and agree to the [Terms and Conditions](#) of use.

Datasheets & Catalog Pages

[HEAVY DUTY CONNECTORS](#)

English

Product Specifications

[Application Specification](#)

English

[Application Specification](#)