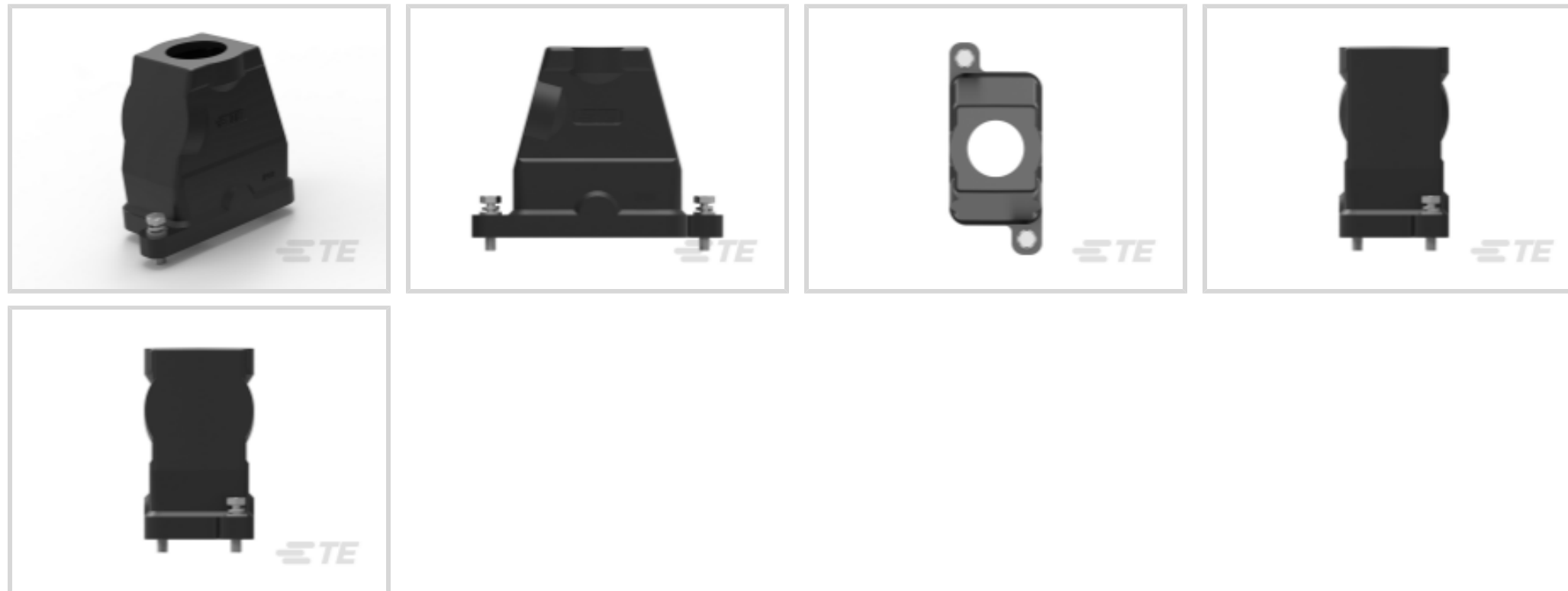




Connectors > Rectangular Connectors > Rectangular Connector Hoods & Bases



Hood & Base Connector Product Type: **Hood**

Cable Entry Location: **Top & Side**

Hood & Base Locking Device Type: **Screwlock**

## Features

### Product Type Features

Hood & Base Connector Product Type	Hood
------------------------------------	------

### Body Features

Primary Product Color	Black
Cable Entry Location	Top & Side

### Mechanical Attachment

Locking Device Location	Hood
Thread Size	PG29
Hood & Base Locking Device Type	Screwlock

### Housing Features

Housing Material	Die Cast Aluminum
------------------	-------------------

### Dimensions

Product Width	58 mm[2.283 in]
Product Length	133 mm[5.236 in]
Product Height	101 mm[3.976 in]

### Usage Conditions

--	--



Corrosion Protected	Yes
---------------------	-----

**Packaging Features**

Packaging Quantity	1
Packaging Method	Bag

**Product Compliance**

[For compliance documentation, visit the product page on TE.com>](#)

EU RoHS Directive 2011/65/EU	Compliant
EU ELV Directive 2000/53/EC	Compliant
China RoHS 2 Directive MIIT Order No 32, 2016	No Restricted Materials Above Threshold
EU REACH Regulation (EC) No. 1907/2006	Current ECHA Candidate List: JUNE 2023 (235) Candidate List Declared Against: JAN 2022 (223) Does not contain REACH SVHC
Halogen Content	BFR/CFR/PVC Free, but Br/Cl >900 ppm in other sources.
Solder Process Capability	Not reviewed for solder process capability

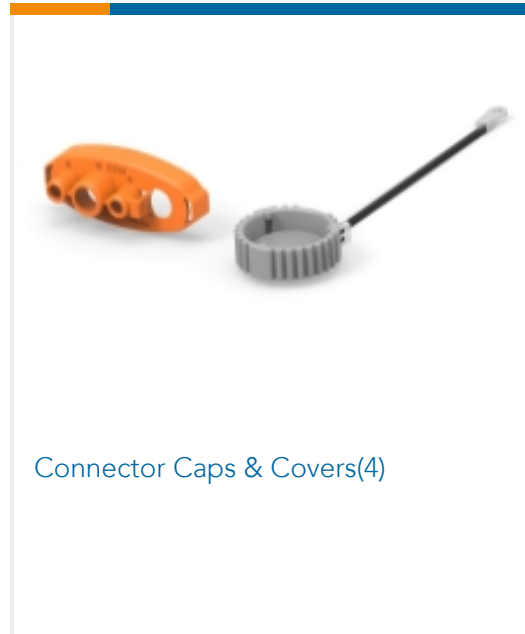
Product Compliance Disclaimer

This information is provided based on reasonable inquiry of our suppliers and represents our current actual knowledge based on the information they provided. This information is subject to change. The part numbers that TE has identified as EU RoHS compliant have a maximum concentration of 0.1% by weight in homogenous materials for lead, hexavalent chromium, mercury, PBB, PBDE, DBP, BBP, DEHP, DIBP, and 0.01% for cadmium, or qualify for an exemption to these limits as defined in the Annexes of Directive 2011/65/EU (RoHS2). Finished electrical and electronic equipment products will be CE marked as required by Directive 2011/65/EU. Components may not be CE marked. Additionally, the part numbers that TE has identified as EU ELV compliant have a maximum concentration of 0.1% by weight in homogenous materials for lead, hexavalent chromium, and mercury, and 0.01% for cadmium, or qualify for an exemption to these limits as defined in the Annexes of Directive 2000/53/EC (ELV). Regarding the REACH Regulation, the information TE provides on SVHC in articles for this part number is based on the latest European Chemicals Agency (ECHA) 'Guidance on requirements for substances in articles' posted at this URL: <https://echa.europa.eu/guidance-documents/guidance-on-reach>

**Compatible Parts**



## Also in the Series | HDC IP68 EMC



Connector Caps & Covers(4)



Rectangular Connector Hoods & Bases (445)

## Customers Also Bought



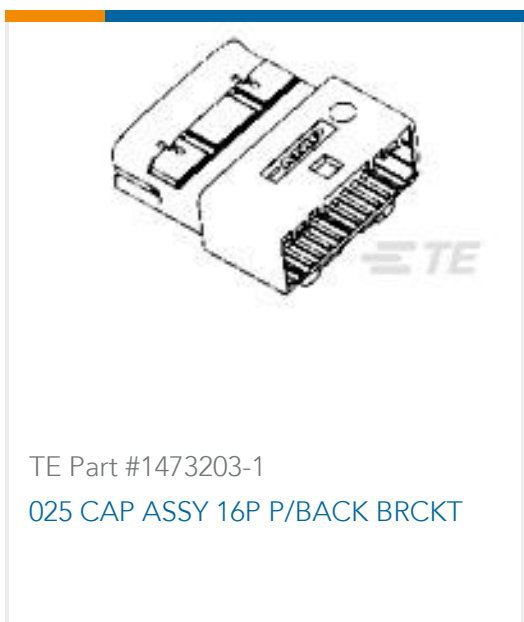
TE Part #T2020082201-000  
HD-008-F



TE Part #1-480711-9  
15P UMNL CAP HSG BLK



TE Part #640250-1  
01P SL156 HSG W/LCK RAMP NATL



TE Part #1473203-1  
025 CAP ASSY 16P P/BACK BRCKT



TE Part #T0931003003-000  
CODING-PIN-M3



TE Part #1SNA195638R2300  
M4/6.4A.P



TE Part #T1730060000-000  
H6B-TBF-T



TE Part #T2120100219-000  
ZGG-10DSTK,1-7,2-8,3-9,4-6,5-10



TE Part #T2120100220-000  
ZGGP-H10BSK 1-7/2-8/3-9/4-6/5-10

## Documents

[Product Drawings](#)  
[H6BPR-TGH-PG29-EMC-C](#)

English

## CAD Files

[3D PDF](#)

[3D](#)



**Customer View Model**

[ENG\\_CVM\\_CVM\\_T1920060129-009\\_A.2d\\_dxf.zip](#)

English

**Customer View Model**

[ENG\\_CVM\\_CVM\\_T1920060129-009\\_A.3d\\_igs.zip](#)

English

**Customer View Model**

[ENG\\_CVM\\_CVM\\_T1920060129-009\\_A.3d\\_stp.zip](#)

English

By downloading the CAD file I accept and agree to the [Terms and Conditions](#) of use.

---

**Datasheets & Catalog Pages**

[HEAVY DUTY CONNECTORS](#)

English

---

**Product Specifications**

[Application Specification](#)

English

[Application Specification](#)