



Connectors > Rectangular Connectors > Rectangular Connector Hoods & Bases



Hood & Base Connector Product Type: **Hood**

Cable Entry Location: **Top & Side**

Features

Product Type Features

Hood & Base Connector Product Type	Hood
------------------------------------	------

Body Features

Primary Product Color	Gray
Cable Entry Location	Top & Side

Mechanical Attachment

Locking Device Location	Housing
Thread Size	M32

Housing Features

Housing Material	Die Cast Aluminum
------------------	-------------------

Dimensions

Product Width	56 mm
Product Length	82 mm
Product Height	76 mm

Usage Conditions

Corrosion Protected	Yes
---------------------	-----

Packaging Features

Packaging Quantity	1
Packaging Method	Bag

Product Compliance

[For compliance documentation, visit the product page on TE.com>](#)

EU RoHS Directive 2011/65/EU

Compliant with Exemptions

EU ELV Directive 2000/53/EC

Compliant with Exemptions

China RoHS 2 Directive MIIT Order No 32, 2016

Restricted Materials Above Threshold

EU REACH Regulation (EC) No. 1907/2006

Current ECHA Candidate List: JUNE 2023 (235)

Candidate List Declared Against: JUNE 2023 (235)

SVHC > Threshold:

Pb (.35% in Component Part)

Article Safe Usage Statements:

Do not eat, drink or smoke when using this product. Wash thoroughly after handling. Recycle if possible and dispose of the article by following all applicable governmental regulations relevant to your geographic location.

Halogen Content

Low Halogen - Br, Cl, F, I < 900 ppm per homogenous material. Also BFR/CFR/PVC Free

Solder Process Capability

Not reviewed for solder process capability

Product Compliance Disclaimer

This information is provided based on reasonable inquiry of our suppliers and represents our current actual knowledge based on the information they provided. This information is subject to change. The part numbers that TE has identified as EU RoHS compliant have a maximum concentration of 0.1% by weight in homogenous materials for lead, hexavalent chromium, mercury, PBB, PBDE, DBP, BBP, DEHP, DIBP, and 0.01% for cadmium, or qualify for an exemption to these limits as defined in the Annexes of Directive 2011/65/EU (RoHS2). Finished electrical and electronic equipment products will be CE marked as required by Directive 2011/65/EU. Components may not be CE marked. Additionally, the part numbers that TE has identified as EU ELV compliant have a maximum concentration of 0.1% by weight in homogenous materials for lead, hexavalent chromium, and mercury, and 0.01% for cadmium, or qualify for an exemption to these limits as defined in the Annexes of Directive 2000/53/EC (ELV). Regarding the REACH Regulation, the information TE provides on SVHC in articles for this part number is based on the latest European Chemicals Agency (ECHA) 'Guidance on requirements for substances in articles' posted at this URL: <https://echa.europa.eu/guidance-documents/guidance-on-reach>

Compatible Parts**Also in the Series | HDC IP65**



Rectangular Connector Hoods & Bases (1258)

Customers Also Bought



TE Part #1011-262-0305
BKSHL, 3P, BLK, REC,RA,SR,NW6/7.5 /8.5/10



TE Part #T2010164101-000
HA-016-MC 1-16



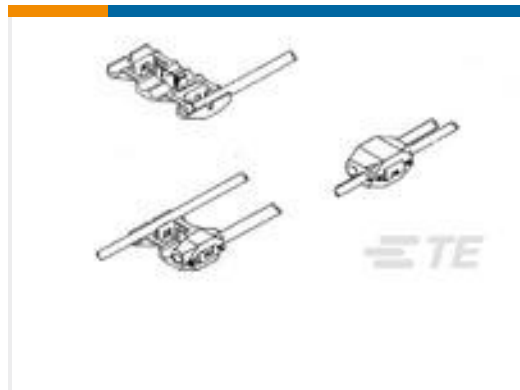
TE Part #444043-1
HSG ASSY 3POS MULTI



TE Part #4-640426-3
13P MTA156 CONN ASSY 18AWG ORA



TE Part #172888-1
070 RUBBER PLUG



TE Part #626439-1
ELETRO TAP AMARELO



TE Part #T1280103125-000
H10B-TGBHS-M25



TE Part #T1280163125-000
H16B-TGBHS-M25



TE Part #T1470241132-000
H24B-SGRHS-M32

Documents

Product Drawings

[H32A-TBF-M32](#)

English

CAD Files

[3D PDF](#)

[3D](#)

[Customer View Model](#)

[ENG_CVM_CVM_T1739320132-000_A.2d_dxf.zip](#)



English

Customer View Model

[ENG_CVM_CVM_T1739320132-000_A.3d_igs.zip](#)

English

Customer View Model

[ENG_CVM_CVM_T1739320132-000_A.3d_stp.zip](#)

English

By downloading the CAD file I accept and agree to the [Terms and Conditions](#) of use.

Datasheets & Catalog Pages

HEAVY DUTY CONNECTORS

English

Product Specifications

Application Specification

English

Application Specification