



Connectors > Rectangular Connectors > Rectangular Connector Hoods & Bases



Hood & Base Connector Product Type: **Hood**

Cable Entry Location: **Top & Side**

Features

Product Type Features

Hood & Base Connector Product Type	Hood
------------------------------------	------

Body Features

Primary Product Color	Gray
Cable Entry Location	Top & Side

Mechanical Attachment

Locking Device Location	Housing
Thread Size	PG11

Housing Features

Housing Material	Die Cast Aluminum
------------------	-------------------

Dimensions

Product Width	24 mm
Product Length	24 mm
Product Height	57 mm

Usage Conditions

Corrosion Protected	Yes
---------------------	-----

Packaging Features

Packaging Quantity	1
Packaging Method	Bag

Product Compliance

[For compliance documentation, visit the product page on TE.com>](#)



EU RoHS Directive 2011/65/EU	Compliant
EU ELV Directive 2000/53/EC	Compliant
China RoHS 2 Directive MIIT Order No 32, 2016	No Restricted Materials Above Threshold
EU REACH Regulation (EC) No. 1907/2006	Current ECHA Candidate List: JUNE 2023 (235) Candidate List Declared Against: JUNE 2023 (235) Does not contain REACH SVHC
Halogen Content	Low Bromine/Chlorine - Br and Cl < 900 ppm per homogenous material. Also BFR /CFR/PVC Free
Solder Process Capability	Not reviewed for solder process capability

Product Compliance Disclaimer

This information is provided based on reasonable inquiry of our suppliers and represents our current actual knowledge based on the information they provided. This information is subject to change. The part numbers that TE has identified as EU RoHS compliant have a maximum concentration of 0.1% by weight in homogenous materials for lead, hexavalent chromium, mercury, PBB, PBDE, DBP, BBP, DEHP, DIBP, and 0.01% for cadmium, or qualify for an exemption to these limits as defined in the Annexes of Directive 2011/65/EU (RoHS2). Finished electrical and electronic equipment products will be CE marked as required by Directive 2011/65/EU. Components may not be CE marked. Additionally, the part numbers that TE has identified as EU ELV compliant have a maximum concentration of 0.1% by weight in homogenous materials for lead, hexavalent chromium, and mercury, and 0.01% for cadmium, or qualify for an exemption to these limits as defined in the Annexes of Directive 2000/53/EC (ELV). Regarding the REACH Regulation, the information TE provides on SVHC in articles for this part number is based on the latest European Chemicals Agency (ECHA) 'Guidance on requirements for substances in articles' posted at this URL: <https://echa.europa.eu/guidance-documents/guidance-on-reach>

Compatible Parts



TE Part # T2010032201-000
HA-003-F



TE Part # T1329031111-000
H3A-TG-PG11



TE Part # T1010032100-000
H3A-KDBP-NY150



TE Part # T3609110101-000
DLX-11-MS

Also in the Series | HDC IP65



Rectangular Connector Hoods & Bases (1258)

Customers Also Bought



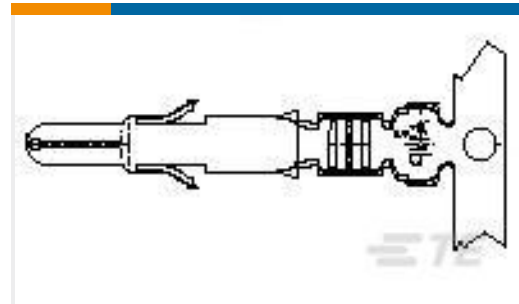
TE Part #3-640426-4
04P MTA156 CONN ASSY 18AWG
ORA



TE Part #1-480704-0
06P UMNL PLUG HSG NATL



TE Part #1-480709-0
12P UMNL CAP HSG NATL



TE Part #881109-1
U-M-N-L SPLIT PIN



TE Part #T1319030111-000
H3A-MTS-PG11



TE Part #T2030011040-000
DEM-4.0



TE Part #144270-4
PLUG HE14 IDC 90 4 P AWG 24



TE Part #2-1879453-7
TE 1000W 150R 5% Bracket



TE Part #T2080052201-000
HQ-005-F



TE Part #T3609130111-000
DLX-13-MTS

Documents

Product Drawings

[H3A-TGVB-PG11](#)

English

CAD Files

[3D PDF](#)

[3D](#)

Customer View Model

[ENG_CVM_CVM_T1739032111-000_A.2d_dxf.zip](#)



English

Customer View Model

[ENG_CVM_CVM_T1739032111-000_A.3d_igs.zip](#)

English

Customer View Model

[ENG_CVM_CVM_T1739032111-000_A.3d_stp.zip](#)

English

By downloading the CAD file I accept and agree to the [Terms and Conditions](#) of use.

Datasheets & Catalog Pages

[HEAVY DUTY CONNECTORS](#)

English

Product Specifications

[Application Specification](#)

English

[Application Specification](#)