



Connectors > Rectangular Connectors > Rectangular Connector Hoods & Bases



Hood & Base Connector Product Type: **Base Housing**

Cable Entry Location: **Side**

## Features

### Product Type Features

Hood & Base Connector Product Type	Base Housing
------------------------------------	--------------

### Body Features

Primary Product Color	Gray
Cable Entry Location	Side

### Mechanical Attachment

Locking Device Location	Housing
Thread Size	M20

### Housing Features

Housing Material	Die Cast Aluminum
------------------	-------------------

### Usage Conditions

Corrosion Protected	Yes
---------------------	-----

### Packaging Features

Packaging Quantity	1
Packaging Method	Bag

## Product Compliance

[For compliance documentation, visit the product page on TE.com>](#)

EU RoHS Directive 2011/65/EU	Compliant
EU ELV Directive 2000/53/EC	Compliant
China RoHS 2 Directive MIIT Order No 32, 2016	No Restricted Materials Above Threshold



EU REACH Regulation (EC) No. 1907/2006

Current ECHA Candidate List: JUNE 2023 (235)

Candidate List Declared Against: JAN 2022 (223)

Does not contain REACH SVHC

Halogen Content

Low Halogen - Br, Cl, F, I < 900 ppm per homogenous material. Also BFR/CFR/PVC Free

Solder Process Capability

Not reviewed for solder process capability

Product Compliance Disclaimer

This information is provided based on reasonable inquiry of our suppliers and represents our current actual knowledge based on the information they provided. This information is subject to change. The part numbers that TE has identified as EU RoHS compliant have a maximum concentration of 0.1% by weight in homogenous materials for lead, hexavalent chromium, mercury, PBB, PBDE, DBP, BBP, DEHP, DIBP, and 0.01% for cadmium, or qualify for an exemption to these limits as defined in the Annexes of Directive 2011/65/EU (RoHS2). Finished electrical and electronic equipment products will be CE marked as required by Directive 2011/65/EU. Components may not be CE marked. Additionally, the part numbers that TE has identified as EU ELV compliant have a maximum concentration of 0.1% by weight in homogenous materials for lead, hexavalent chromium, and mercury, and 0.01% for cadmium, or qualify for an exemption to these limits as defined in the Annexes of Directive 2000/53/EC (ELV). Regarding the REACH Regulation, the information TE provides on SVHC in articles for this part number is based on the latest European Chemicals Agency (ECHA) 'Guidance on requirements for substances in articles' posted at this URL: <https://echa.europa.eu/guidance-documents/guidance-on-reach>

### Compatible Parts



TE Part # T3609200102-000  
DLX-20-M



TE Part # T2010162101-000  
HA-016-M



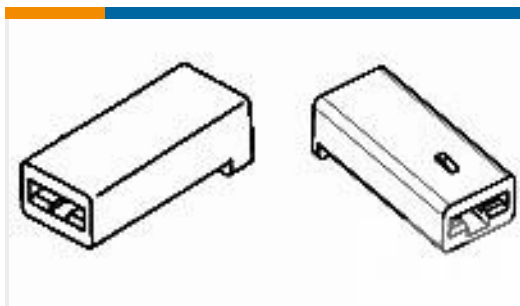
TE Part # T1319160120-000  
H16A-TS-M20

### Also in the Series | HDC IP65



Rectangular Connector Hoods & Bases (1258)

### Customers Also Bought



TE Part #521290-1  
FF 250 REC HSG 1P NYLON NAT



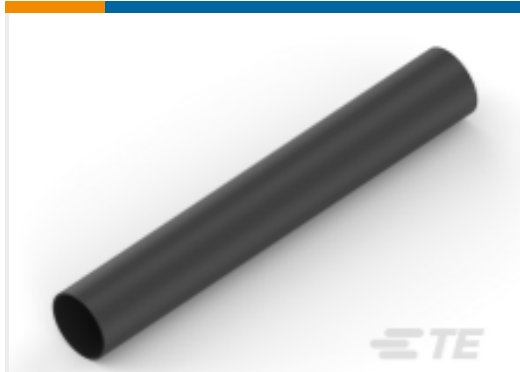
TE Part #T1619161120-000  
H16A-SGRS-M20



TE Part #T1629161220-000  
H16A-SDRMS-2M20



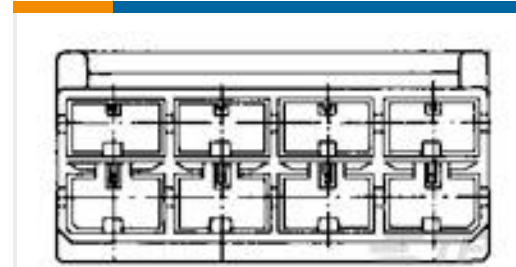
TE Part #T1629163220-000  
H16A-SDRS-2M20



TE Part #F91864-000  
DWP125 Heat shrink Tubing



TE Part #CN1020-000  
D-436-36-COLD



TE Part #926646-8  
PL 250 8P HOUSING PA6.6 ZYTEL 101  
WHITE



TE Part #1887112-1  
XT374LC4



TE Part #F41454-000  
DWP-125-1/2-KIT3-REFILL

## Documents

### Product Drawings

#### H16A-SDRS-M20

English

### CAD Files

#### 3D PDF

3D

#### Customer View Model

[ENG\\_CVM\\_CVM\\_T1629163120-000\\_A.2d\\_dxf.zip](#)

English

#### Customer View Model

[ENG\\_CVM\\_CVM\\_T1629163120-000\\_A.3d\\_igs.zip](#)

English

#### Customer View Model

[ENG\\_CVM\\_CVM\\_T1629163120-000\\_A.3d\\_stp.zip](#)

English

By downloading the CAD file I accept and agree to the [Terms and Conditions](#) of use.

### Datasheets & Catalog Pages



## HEAVY DUTY CONNECTORS

English

---

**Product Specifications**

**Application Specification**

English

**Application Specification**