

T1620243125-000 ✓ ACTIVE

HDC | HDC IP65

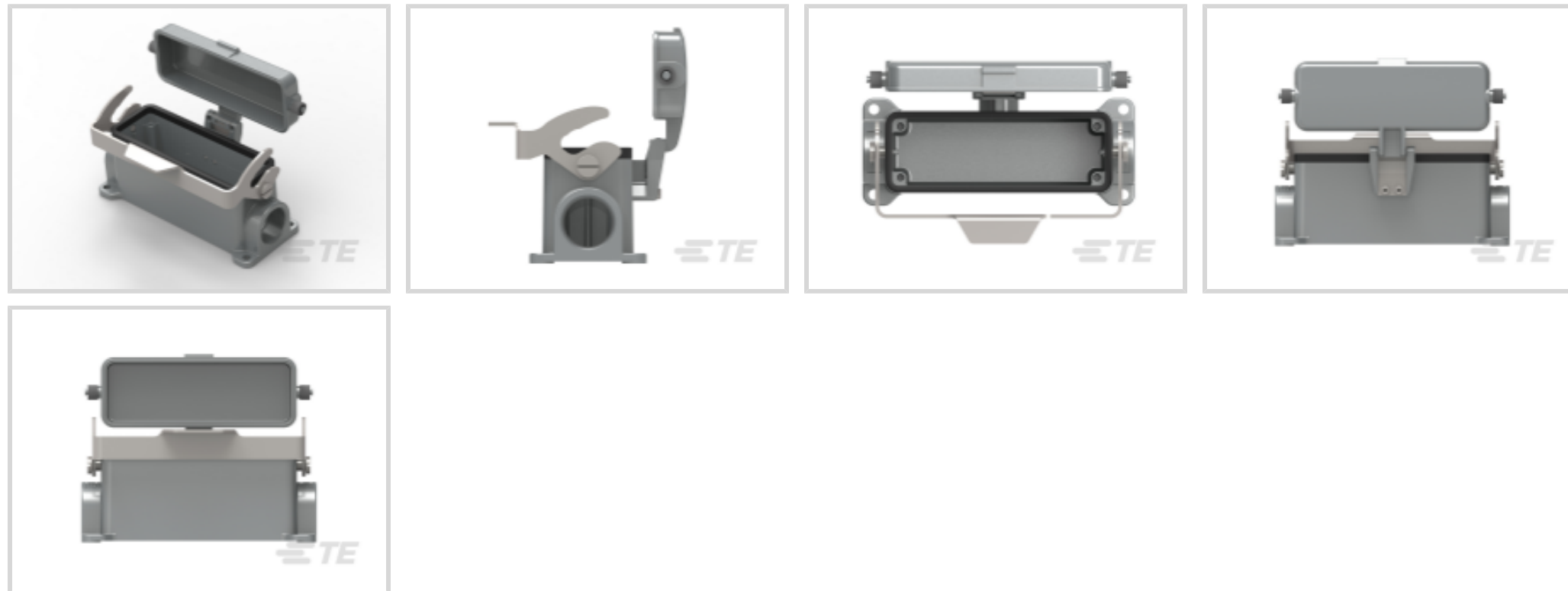
TE Internal #: T1620243125-000

Heavy Duty Connector Base Housing, Side Entry, Locking Clip,  
Sealable, HDC IP65

[View on TE.com >](#)



Connectors > Rectangular Connectors > Rectangular Connector Hoods & Bases



Hood & Base Connector Product Type: **Base Housing**

Cable Entry Location: **Side**

Hood & Base Locking Device Type: **Locking Clip**

Sealable: **Yes**

Circuit Application: **Power & Signal**

## Features

### Product Type Features

Hood & Base Connector Product Type Base Housing

Sealable Yes

### Body Features

Cable Entry Location Side

### Mechanical Attachment

Thread Size M25

Hood & Base Locking Device Type Locking Clip

### Housing Features

Housing Material Die Cast Aluminum

### Usage Conditions

Corrosion Protected Yes

### Operation/Application

Circuit Application Power & Signal



## Product Compliance

[For compliance documentation, visit the product page on TE.com>](#)

EU RoHS Directive 2011/65/EU	Compliant with Exemptions
EU ELV Directive 2000/53/EC	Compliant with Exemptions
China RoHS 2 Directive MIIT Order No 32, 2016	Restricted Materials Above Threshold
EU REACH Regulation (EC) No. 1907/2006	<p>Current ECHA Candidate List: JUNE 2023 (235)</p> <p>Candidate List Declared Against: JAN 2022 (223)</p> <p>SVHC &gt; Threshold:</p> <p>Pb (.35% in Pb-Alloy in Steel)</p> <p><b>Article Safe Usage Statements:</b>                      Do not eat, drink or smoke when using this product. Wash thoroughly after handling. Recycle if possible and dispose of the article by following all applicable governmental regulations relevant to your geographic location.</p>
Halogen Content	Low Halogen - Br, Cl, F, I < 900 ppm per homogenous material. Also BFR/CFR/PVC Free
Solder Process Capability	Not reviewed for solder process capability

### Product Compliance Disclaimer

This information is provided based on reasonable inquiry of our suppliers and represents our current actual knowledge based on the information they provided. This information is subject to change. The part numbers that TE has identified as EU RoHS compliant have a maximum concentration of 0.1% by weight in homogenous materials for lead, hexavalent chromium, mercury, PBB, PBDE, DBP, BBP, DEHP, DIBP, and 0.01% for cadmium, or qualify for an exemption to these limits as defined in the Annexes of Directive 2011/65/EU (RoHS2). Finished electrical and electronic equipment products will be CE marked as required by Directive 2011/65/EU. Components may not be CE marked. Additionally, the part numbers that TE has identified as EU ELV compliant have a maximum concentration of 0.1% by weight in homogenous materials for lead, hexavalent chromium, and mercury, and 0.01% for cadmium, or qualify for an exemption to these limits as defined in the Annexes of Directive 2000/53/EC (ELV). Regarding the REACH Regulation, the information TE provides on SVHC in articles for this part number is based on the latest European Chemicals Agency (ECHA) 'Guidance on requirements for substances in articles' posted at this URL: <https://echa.europa.eu/guidance-documents/guidance-on-reach>

## Compatible Parts

 <p>TE Part # T2040242201-000 HE-024-F</p>	 <p>TE Part # T3609250102-000 DLX-25-M</p>	 <p>TE Part # T1310240125-000 H24B-TS-RO-M25</p>
---	---	---

Also in the Series | [HDC IP65](#)



Rectangular Connector Hoods & Bases (1258)

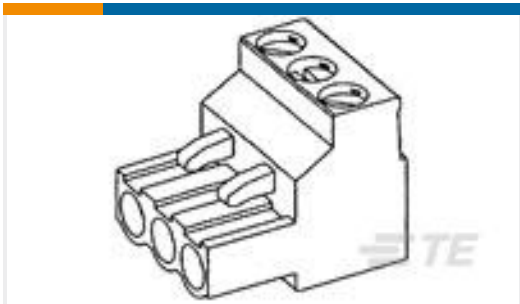
## Customers Also Bought



TE Part #DT04-3P-E005  
REC, 3P, BLK, N, CAP



TE Part #T1510243000-000  
H24B-AD-LB



TE Part #796634-4  
4 POS 5.08MM R/A PLUG,TRM BLK



TE Part #DT4P-BT-BK  
BOOT, 4P, REC, ST, BLK



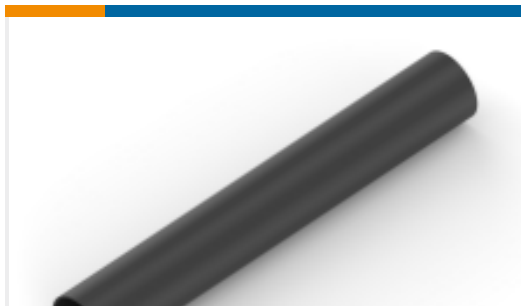
TE Part #DT4S-BT-BK  
BOOT, 4P, PLG, ST, BLK



TE Part #160056  
SOLIS 8 R 10MM



TE Part #YHDP24-24-31PEL024  
REC, 31P, BLK, E, WTHD, 16, P



TE Part #NB07552001  
HTAT-16/4-0-STK



TE Part #1-1579007-1  
EXTRACTION TOOL

## Documents

### Product Drawings

[H24B-SDR-LB-M25](#)

English

### CAD Files

[3D PDF](#)

3D

### Customer View Model

[ENG\\_CVM\\_CVM\\_T1620243125-000\\_A.2d\\_dxf.zip](#)



English

Customer View Model

[ENG\\_CVM\\_CVM\\_T1620243125-000\\_A.3d\\_igs.zip](#)

English

Customer View Model

[ENG\\_CVM\\_CVM\\_T1620243125-000\\_A.3d\\_stp.zip](#)

English

By downloading the CAD file I accept and agree to the [Terms and Conditions](#) of use.

---

## Datasheets & Catalog Pages

[Heavy Duty Connectors](#)

English

[HEAVY DUTY CONNECTORS](#)

English

---

## Product Specifications

[Application Specification](#)

English