

T1520100000-000 ✓ ACTIVE

HDC | HDC IP65

TE Internal #: T1520100000-000

Heavy Duty Connector Base Housing, Locking Clip, Sealable, HDC IP65

[View on TE.com >](#)



Connectors > Rectangular Connectors > Rectangular Connector Hoods & Bases



Hood & Base Connector Product Type: **Base Housing**

Hood & Base Locking Device Type: **Locking Clip**

Sealable: **Yes**

Circuit Application: **Power & Signal**

Features

Product Type Features

Hood & Base Connector Product Type	Base Housing
Sealable	Yes

Mechanical Attachment

Hood & Base Locking Device Type	Locking Clip
---------------------------------	--------------

Housing Features

Housing Material	Die Cast Aluminum
------------------	-------------------

Usage Conditions

Corrosion Protected	Yes
---------------------	-----

Operation/Application

Circuit Application	Power & Signal
---------------------	----------------

Product Compliance

[For compliance documentation, visit the product page on TE.com>](#)

EU RoHS Directive 2011/65/EU	Compliant
EU ELV Directive 2000/53/EC	Compliant



China RoHS 2 Directive MIIT Order No 32, 2016	No Restricted Materials Above Threshold
EU REACH Regulation (EC) No. 1907/2006	Current ECHA Candidate List: JUNE 2023 (235) Candidate List Declared Against: JAN 2022 (223) Does not contain REACH SVHC
Halogen Content	Not Low Halogen - contains Br or Cl > 900 ppm.
Solder Process Capability	Not reviewed for solder process capability

Product Compliance Disclaimer

This information is provided based on reasonable inquiry of our suppliers and represents our current actual knowledge based on the information they provided. This information is subject to change. The part numbers that TE has identified as EU RoHS compliant have a maximum concentration of 0.1% by weight in homogenous materials for lead, hexavalent chromium, mercury, PBB, PBDE, DBP, BBP, DEHP, DIBP, and 0.01% for cadmium, or qualify for an exemption to these limits as defined in the Annexes of Directive 2011/65/EU (RoHS2). Finished electrical and electronic equipment products will be CE marked as required by Directive 2011/65/EU. Components may not be CE marked. Additionally, the part numbers that TE has identified as EU ELV compliant have a maximum concentration of 0.1% by weight in homogenous materials for lead, hexavalent chromium, and mercury, and 0.01% for cadmium, or qualify for an exemption to these limits as defined in the Annexes of Directive 2000/53/EC (ELV). Regarding the REACH Regulation, the information TE provides on SVHC in articles for this part number is based on the latest European Chemicals Agency (ECHA) 'Guidance on requirements for substances in articles' posted at this URL: <https://echa.europa.eu/guidance-documents/guidance-on-reach>

Compatible Parts



TE Part # T2040102201-000
HE-010-F



TE Part # T1370102121-000
H10B-TSBH-LB-PG21



TE Part # T1370102129-000
H10B-TSBH-LB-PG29

Also in the Series | HDC IP65



Rectangular Connector Hoods & Bases
(1258)

Customers Also Bought



TE Part #206070-8
CABLE CLAMP KIT #17



TE Part #DT04-2P
REC, 2P, GRY, N



TE Part #DT06-2S
PLG, 2P, GRY, N



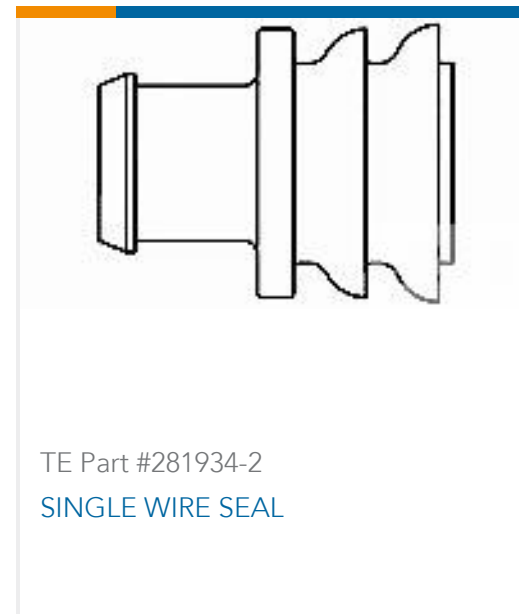
TE Part #W2P
Wedgelocks: DEUTSCH DT



TE Part #0462-201-16141
DEUTSCH Solid Contacts



TE Part #282080-1
AMP SUPERSEAL 1.5MM,
CONNECTOR HOUSING



TE Part #281934-2
SINGLE WIRE SEAL

Documents

Product Drawings

[H10B-AG-RO](#)

English

CAD Files

[3D PDF](#)

3D

Customer View Model

[ENG_CVM_CVM_T1520100000-000_A.2d_dxf.zip](#)

English

Customer View Model

[ENG_CVM_CVM_T1520100000-000_A.3d_igs.zip](#)

English

Customer View Model

[ENG_CVM_CVM_T1520100000-000_A.3d_stp.zip](#)

English

By downloading the CAD file I accept and agree to the [Terms and Conditions](#) of use.

Datasheets & Catalog Pages

[HEAVY DUTY CONNECTORS](#)

English

Product Specifications

[Application Specification](#)

English