

T1509031100-000 ✓ ACTIVE

HDC | HDC IP65

TE Internal #: T1509031100-000

Heavy Duty Connector Base Housing, Bottom Entry, Locking,  
Sealable, HDC IP65

[View on TE.com >](#)



[Connectors](#) > [Rectangular Connectors](#) > [Rectangular Connector Hoods & Bases](#)



Hood & Base Connector Product Type: **Base Housing**

Cable Entry Location: **Bottom**

Hood & Base Locking Device Type: **Locking**

Sealable: **Yes**

Circuit Application: **Power & Signal**

## Features

### Product Type Features

Hood & Base Connector Product Type	Base Housing
Sealable	Yes

### Body Features

Cable Entry Location	Bottom
----------------------	--------

### Mechanical Attachment

Locking Device Location	Housing
Hood & Base Locking Device Type	Locking

### Housing Features

Housing Material	Die Cast Aluminum
------------------	-------------------

### Dimensions

Product Width	24 mm
Product Length	40 mm

### Usage Conditions

Corrosion Protected	Yes
---------------------	-----

### Operation/Application

Circuit Application	Power & Signal
---------------------	----------------

### Packaging Features



Packaging Method	Box
------------------	-----

### Product Compliance

[For compliance documentation, visit the product page on TE.com>](#)

EU RoHS Directive 2011/65/EU	Compliant
EU ELV Directive 2000/53/EC	Compliant
China RoHS 2 Directive MIIT Order No 32, 2016	No Restricted Materials Above Threshold
EU REACH Regulation (EC) No. 1907/2006	Current ECHA Candidate List: JUNE 2023 (235) Candidate List Declared Against: JAN 2022 (223) Does not contain REACH SVHC
Halogen Content	Not Low Halogen - contains Br or Cl > 900 ppm.
Solder Process Capability	Not reviewed for solder process capability

#### Product Compliance Disclaimer

This information is provided based on reasonable inquiry of our suppliers and represents our current actual knowledge based on the information they provided. This information is subject to change. The part numbers that TE has identified as EU RoHS compliant have a maximum concentration of 0.1% by weight in homogenous materials for lead, hexavalent chromium, mercury, PBB, PBDE, DBP, BBP, DEHP, DIBP, and 0.01% for cadmium, or qualify for an exemption to these limits as defined in the Annexes of Directive 2011/65/EU (RoHS2). Finished electrical and electronic equipment products will be CE marked as required by Directive 2011/65/EU. Components may not be CE marked. Additionally, the part numbers that TE has identified as EU ELV compliant have a maximum concentration of 0.1% by weight in homogenous materials for lead, hexavalent chromium, and mercury, and 0.01% for cadmium, or qualify for an exemption to these limits as defined in the Annexes of Directive 2000/53/EC (ELV). Regarding the REACH Regulation, the information TE provides on SVHC in articles for this part number is based on the latest European Chemicals Agency (ECHA) 'Guidance on requirements for substances in articles' posted at this URL: <https://echa.europa.eu/guidance-documents/guidance-on-reach>

### Compatible Parts



TE Part # T2010032201-000  
HA-003-F



TE Part # T1329031111-000  
H3A-TG-PG11



TE Part # T1010032100-000  
H3A-KDBP-NY150



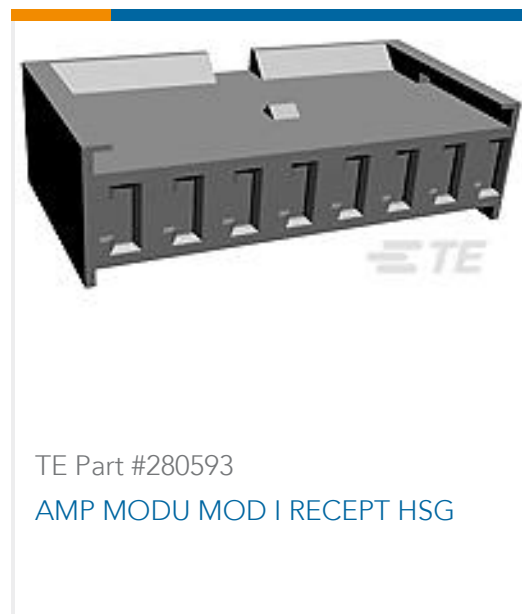
TE Part # T1010033200-000  
H3A-KDBP-NR

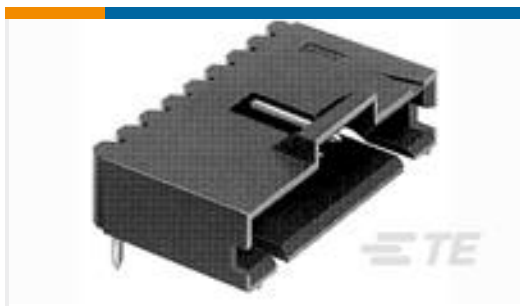


### Also in the Series | HDC IP65



### Customers Also Bought

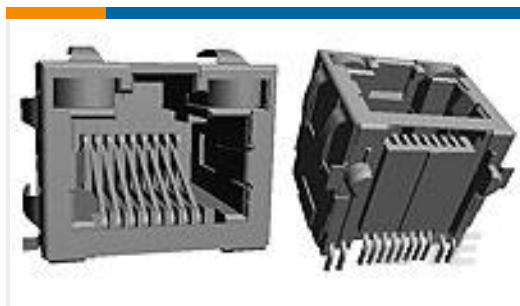




TE Part #5-103635-1  
02 MTE HDR SRRA LTCH.100CL LF



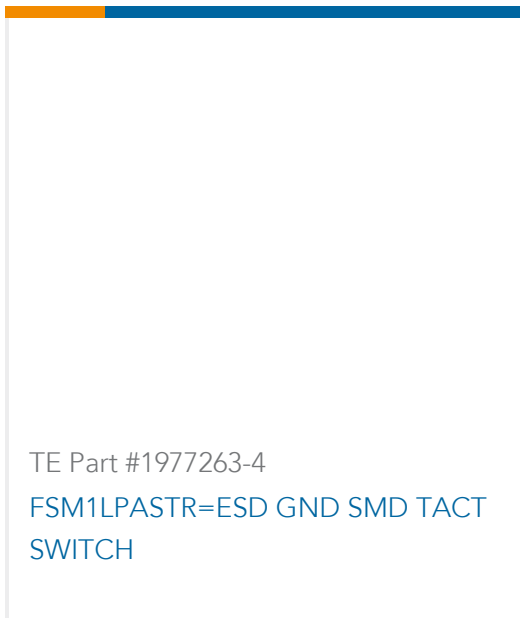
TE Part #1-1625885-2  
1W SM M/OX 5% 100R



TE Part #6339160-1  
MJ,RJ45,SMT,SHLD,PANEL GRD



TE Part #T1010032100-000  
H3A-KDBP-NY150



TE Part #1977263-4  
FSM1LPASTR=ESD GND SMD TACT SWITCH

## Documents

### Product Drawings

[H3A-AG](#)

English

### CAD Files

[3D PDF](#)

3D

Customer View Model

[ENG\\_CVM\\_CVM\\_T1509031100-000\\_A.2d\\_dxf.zip](#)

English

Customer View Model

[ENG\\_CVM\\_CVM\\_T1509031100-000\\_A.3d\\_igs.zip](#)

English

Customer View Model

[ENG\\_CVM\\_CVM\\_T1509031100-000\\_A.3d\\_stp.zip](#)

English

By downloading the CAD file I accept and agree to the [Terms and Conditions](#) of use.

### Datasheets & Catalog Pages

[Heavy Duty Connectors](#)

English

[HEAVY DUTY CONNECTORS](#)

English

### Product Specifications

[Application Specification](#)

English



[Application Specification](#)

---

[Product Environmental Compliance](#)

[TE Material Declaration](#)

English