

T1440101125-000 ✓ ACTIVE

HDC | HDC IP65

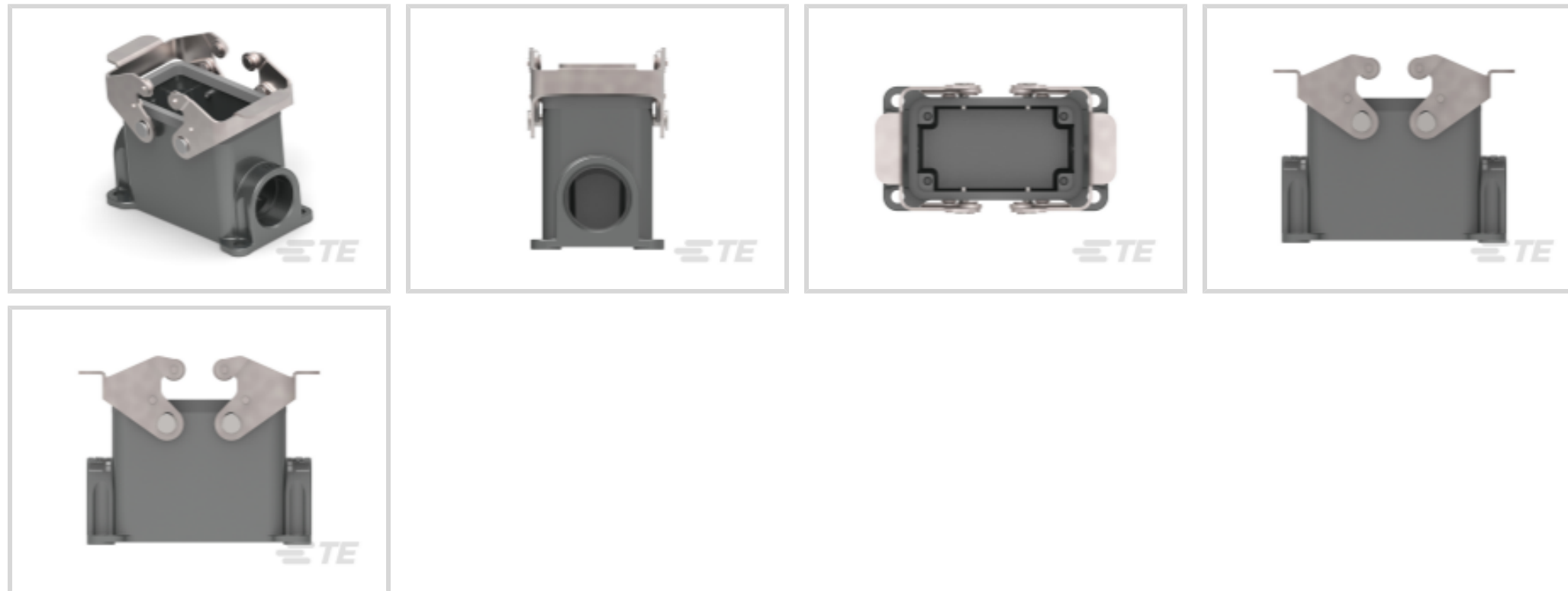
TE Internal #: T1440101125-000

Heavy Duty Connector Base Housing, Side Entry, Locking Clip,  
Sealable, HDC IP65

[View on TE.com >](#)



Connectors > Rectangular Connectors > Rectangular Connector Hoods & Bases



Hood & Base Connector Product Type: **Base Housing**

Cable Entry Location: **Side**

Hood & Base Locking Device Type: **Locking Clip**

Sealable: **Yes**

Circuit Application: **Power & Signal**

## Features

### Product Type Features

|                                    |              |
|------------------------------------|--------------|
| Hood & Base Connector Product Type | Base Housing |
| Sealable                           | Yes          |

### Body Features

|                      |      |
|----------------------|------|
| Cable Entry Location | Side |
|----------------------|------|

### Mechanical Attachment

|                                 |              |
|---------------------------------|--------------|
| Thread Size                     | M25          |
| Hood & Base Locking Device Type | Locking Clip |

### Housing Features

|                  |                   |
|------------------|-------------------|
| Housing Material | Die Cast Aluminum |
|------------------|-------------------|

### Usage Conditions

|                     |     |
|---------------------|-----|
| Corrosion Protected | Yes |
|---------------------|-----|

### Operation/Application

|                     |                |
|---------------------|----------------|
| Circuit Application | Power & Signal |
|---------------------|----------------|



## Product Compliance

[For compliance documentation, visit the product page on TE.com>](#)

|   |  |
|---|--|
| EU RoHS Directive 2011/65/EU                  | Compliant  |
| EU ELV Directive 2000/53/EC                   | Compliant  |
| China RoHS 2 Directive MIIT Order No 32, 2016 | No Restricted Materials Above Threshold  |
| EU REACH Regulation (EC) No. 1907/2006        | Current ECHA Candidate List: JUNE 2023 (235)<br>Candidate List Declared Against: JAN 2022 (223)<br>Does not contain REACH SVHC |
| Halogen Content                               | Low Halogen - Br, Cl, F, I < 900 ppm per homogenous material. Also BFR/CFR/PVC Free  |
| Solder Process Capability                     | Not reviewed for solder process capability   |

### Product Compliance Disclaimer

This information is provided based on reasonable inquiry of our suppliers and represents our current actual knowledge based on the information they provided. This information is subject to change. The part numbers that TE has identified as EU RoHS compliant have a maximum concentration of 0.1% by weight in homogenous materials for lead, hexavalent chromium, mercury, PBB, PBDE, DBP, BBP, DEHP, DIBP, and 0.01% for cadmium, or qualify for an exemption to these limits as defined in the Annexes of Directive 2011/65/EU (RoHS2). Finished electrical and electronic equipment products will be CE marked as required by Directive 2011/65/EU. Components may not be CE marked. Additionally, the part numbers that TE has identified as EU ELV compliant have a maximum concentration of 0.1% by weight in homogenous materials for lead, hexavalent chromium, and mercury, and 0.01% for cadmium, or qualify for an exemption to these limits as defined in the Annexes of Directive 2000/53/EC (ELV). Regarding the REACH Regulation, the information TE provides on SVHC in articles for this part number is based on the latest European Chemicals Agency (ECHA) 'Guidance on requirements for substances in articles' posted at this URL: <https://echa.europa.eu/guidance-documents/guidance-on-reach>

## Compatible Parts

|  |   |   |  |
|--|---|---|--|
|  <p>TE Part # T1210100125-000<br/>H10B-TS-M25</p> |  <p>TE Part # T2040102201-000<br/>HE-010-F</p> |  <p>TE Part # T3609250102-000<br/>DLX-25-M</p> |  <p>TE Part # T1010102100-000<br/>H10B-KDBP</p> |
|--|---|---|--|

## Also in the Series | [HDC IP65](#)



Rectangular Connector Hoods & Bases (1258)

## Customers Also Bought



TE Part #T1210100125-000  
H10B-TS-M25



TE Part #T2040243201-000  
HE-024-FS



TE Part #T1010161200-000  
H16B-KDTP



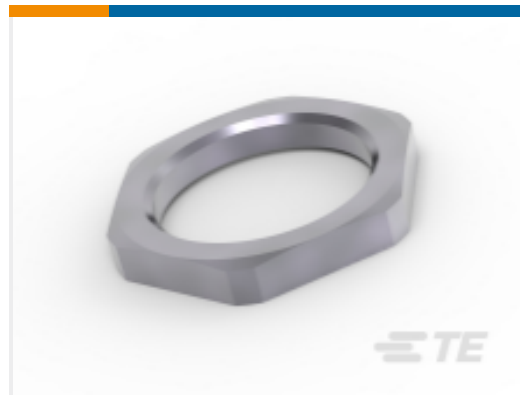
TE Part #T3609160111-000  
DLX-16-MTS



TE Part #T1440161121-000  
H16B-SGRS-PG21



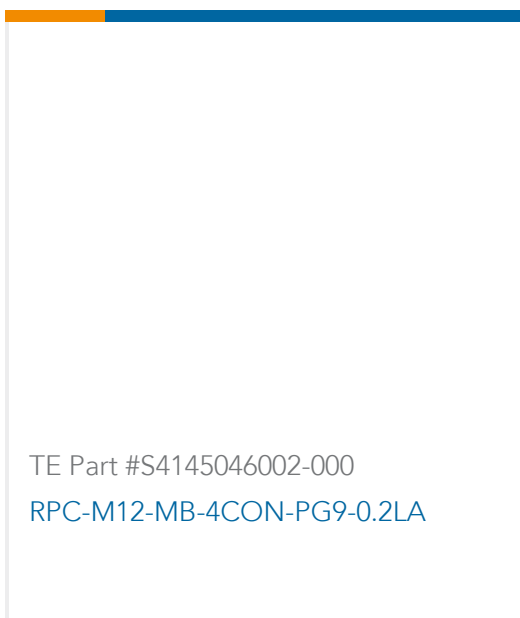
TE Part #T2030001005-000  
CEM-0.5



TE Part #T3161090001-000  
LN-9-MS



TE Part #2-2834499-4  
MINI DYNAMIC HDR H 24P TIN Y-KEY  
BLK



TE Part #S4145046002-000  
RPC-M12-MB-4CON-PG9-0.2LA



TE Part #T3310022000-000  
CLIP-16,AD21.2

## Documents

### Product Drawings

[H10B-SGRS-M25](#)

English

### CAD Files

[3D PDF](#)

[3D](#)

[Customer View Model](#)

[ENG\\_CVM\\_CVM\\_T1440101125-000\\_A.2d\\_dxf.zip](#)



English

**Customer View Model**

[ENG\\_CVM\\_CVM\\_T1440101125-000\\_A.3d\\_igs.zip](#)

English

**Customer View Model**

[ENG\\_CVM\\_CVM\\_T1440101125-000\\_A.3d\\_stp.zip](#)

English

By downloading the CAD file I accept and agree to the [Terms and Conditions](#) of use.

---

## Datasheets & Catalog Pages

[Heavy Duty Connectors](#)

English

[HEAVY DUTY CONNECTORS](#)

English

---

## Product Specifications

[Application Specification](#)

English