

T1349160120-000 ✓ ACTIVE

HDC | HDC IP65

TE Internal #: T1349160120-000

Heavy Duty Connector Hood, Top & Side Entry, HDC IP65

[View on TE.com >](#)



Connectors > Rectangular Connectors > Rectangular Connector Hoods & Bases



Hood & Base Connector Product Type: **Hood**

Cable Entry Location: **Top & Side**

Features

Product Type Features

Hood & Base Connector Product Type	Hood
------------------------------------	------

Body Features

Primary Product Color	Gray
Cable Entry Location	Top & Side

Mechanical Attachment

Locking Device Location	Housing
Thread Size	M20

Housing Features

Housing Material	Die Cast Aluminum
------------------	-------------------

Usage Conditions

Corrosion Protected	Yes
---------------------	-----

Packaging Features

Packaging Quantity	1
Packaging Method	Bag

Product Compliance

[For compliance documentation, visit the product page on TE.com>](#)

EU RoHS Directive 2011/65/EU	Compliant
EU ELV Directive 2000/53/EC	Compliant
China RoHS 2 Directive MIIT Order No 32, 2016	No Restricted Materials Above Threshold



EU REACH Regulation (EC) No. 1907/2006

Current ECHA Candidate List: JUNE 2023
(235)

Candidate List Declared Against: JAN 2022
(223)

Does not contain REACH SVHC

Halogen Content

Low Halogen - Br, Cl, F, I < 900 ppm per homogenous material. Also BFR/CFR/PVC Free

Solder Process Capability

Not reviewed for solder process capability

Product Compliance Disclaimer

This information is provided based on reasonable inquiry of our suppliers and represents our current actual knowledge based on the information they provided. This information is subject to change. The part numbers that TE has identified as EU RoHS compliant have a maximum concentration of 0.1% by weight in homogenous materials for lead, hexavalent chromium, mercury, PBB, PBDE, DBP, BBP, DEHP, DIBP, and 0.01% for cadmium, or qualify for an exemption to these limits as defined in the Annexes of Directive 2011/65/EU (RoHS2). Finished electrical and electronic equipment products will be CE marked as required by Directive 2011/65/EU. Components may not be CE marked. Additionally, the part numbers that TE has identified as EU ELV compliant have a maximum concentration of 0.1% by weight in homogenous materials for lead, hexavalent chromium, and mercury, and 0.01% for cadmium, or qualify for an exemption to these limits as defined in the Annexes of Directive 2000/53/EC (ELV). Regarding the REACH Regulation, the information TE provides on SVHC in articles for this part number is based on the latest European Chemicals Agency (ECHA) 'Guidance on requirements for substances in articles' posted at this URL: <https://echa.europa.eu/guidance-documents/guidance-on-reach>

Compatible Parts



TE Part # T1509161000-000
H16A-AGS



TE Part # T3609200102-000
DLX-20-M



TE Part # T2010162101-000
HA-016-M



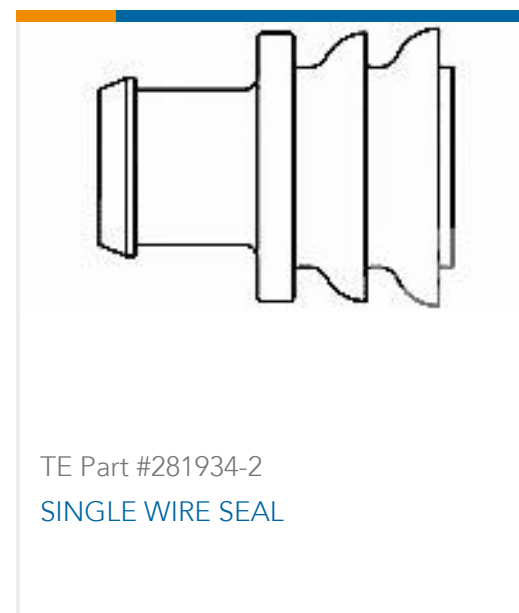
TE Part # T1019161201-001
H16A-KDTMS

Also in the Series | HDC IP65



Rectangular Connector Hoods & Bases
(1258)

Customers Also Bought



Documents

Product Drawings

H16A-TGH-M20

English

CAD Files

3D PDF

3D

Customer View Model

[ENG_CVM_CVM_T1349160120-000_A.2d_dxf.zip](#)

English

Customer View Model

[ENG_CVM_CVM_T1349160120-000_A.3d_igs.zip](#)

English

Customer View Model

[ENG_CVM_CVM_T1349160120-000_A.3d_stp.zip](#)

English

By downloading the CAD file I accept and agree to the [Terms and Conditions](#) of use.

Datasheets & Catalog Pages

HEAVY DUTY CONNECTORS

English

Product Specifications

Application Specification

English

Application Specification