

T1339160121-000 ✓ ACTIVE

HDC | HDC IP65

TE Internal #: T1339160121-000

Heavy Duty Connector Hood, Side Entry, Locking, Sealable, HDC IP65

[View on TE.com >](#)



Connectors > Rectangular Connectors > Rectangular Connector Hoods & Bases



Hood & Base Connector Product Type: **Hood**

Cable Entry Location: **Side**

Hood & Base Locking Device Type: **Locking**

Sealable: **Yes**

Circuit Application: **Power & Signal**

Features

Product Type Features

Hood & Base Connector Product Type	Hood
Sealable	Yes

Body Features

Cable Entry Location	Side
----------------------	------

Mechanical Attachment

Locking Device Location	Hood
Thread Size	PG21
Hood & Base Locking Device Type	Locking

Housing Features

Housing Material	Die Cast Aluminum
------------------	-------------------

Usage Conditions

Corrosion Protected	Yes
---------------------	-----

Operation/Application

Circuit Application	Power & Signal
---------------------	----------------

Packaging Features

Packaging Method	Box
------------------	-----

Product Compliance

[For compliance documentation, visit the product page on TE.com>](#)

EU RoHS Directive 2011/65/EU	Compliant
EU ELV Directive 2000/53/EC	Compliant
China RoHS 2 Directive MIIT Order No 32, 2016	No Restricted Materials Above Threshold
EU REACH Regulation (EC) No. 1907/2006	Current ECHA Candidate List: JUNE 2023 (235) Candidate List Declared Against: JAN 2022 (223) Does not contain REACH SVHC
Halogen Content	Low Halogen - Br, Cl, F, I < 900 ppm per homogenous material. Also BFR/CFR/PVC Free
Solder Process Capability	Not reviewed for solder process capability

Product Compliance Disclaimer

This information is provided based on reasonable inquiry of our suppliers and represents our current actual knowledge based on the information they provided. This information is subject to change. The part numbers that TE has identified as EU RoHS compliant have a maximum concentration of 0.1% by weight in homogenous materials for lead, hexavalent chromium, mercury, PBB, PBDE, DBP, BBP, DEHP, DIBP, and 0.01% for cadmium, or qualify for an exemption to these limits as defined in the Annexes of Directive 2011/65/EU (RoHS2). Finished electrical and electronic equipment products will be CE marked as required by Directive 2011/65/EU. Components may not be CE marked. Additionally, the part numbers that TE has identified as EU ELV compliant have a maximum concentration of 0.1% by weight in homogenous materials for lead, hexavalent chromium, and mercury, and 0.01% for cadmium, or qualify for an exemption to these limits as defined in the Annexes of Directive 2000/53/EC (ELV). Regarding the REACH Regulation, the information TE provides on SVHC in articles for this part number is based on the latest European Chemicals Agency (ECHA) 'Guidance on requirements for substances in articles' posted at this URL: <https://echa.europa.eu/guidance-documents/guidance-on-reach>

Compatible Parts

 <p>TE Part # T1509161000-000 H16A-AGS</p>	 <p>TE Part # T2010162101-000 HA-016-M</p>	 <p>TE Part # T3609210101-000 DLX-21-MS</p>	 <p>TE Part # T1019161201-001 H16A-KDTMS</p>
---	--	--	---

Also in the Series | [HDC IP65](#)



Rectangular Connector Hoods & Bases (1258)

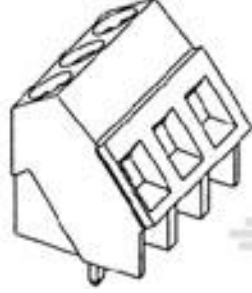
Customers Also Bought



TE Part #T1509161000-000
H16A-AGS



TE Part #1393239-7
RT114005



TE Part #1546074-5
5 POS 5.08MM TERMI-BLOK TOP WI



TE Part #T2020252101-000
HD-025-M



TE Part #T2020252201-000
HD-025-F



TE Part #T1002241102-000
H24BK-KDBP-SS



TE Part #T1926030120-000
H3APR-TGC-M20



TE Part #T1900164032-000
H16BPR-TGH/TSH-M40/M32



TE Part #EDTS3JNCXXUY
EDTS3JNCXXUY=RELAY



TE Part #T1900163220-000
H16BPR-TGH/TSH-M32/M20

Documents

Product Drawings

[H16A-TSH-PG21](#)

English

CAD Files

[3D PDF](#)

3D

Customer View Model

[ENG_CVM_CVM_T1339160121-000_A.2d_dxf.zip](#)



English

Customer View Model

[ENG_CVM_CVM_T1339160121-000_A.3d_igs.zip](#)

English

Customer View Model

[ENG_CVM_CVM_T1339160121-000_A.3d_stp.zip](#)

English

By downloading the CAD file I accept and agree to the [Terms and Conditions](#) of use.

Datasheets & Catalog Pages

Heavy Duty Connectors

English

HEAVY DUTY CONNECTORS

English

Product Specifications

Application Specification

English

Application Specification