

T1230100120-000 ✓ ACTIVE

HDC | HDC IP65

TE Internal #: T1230100120-000

Heavy Duty Connector Hood, Side Entry, Locking Clip, Sealable,
HDC IP65

[View on TE.com >](#)



Connectors > Rectangular Connectors > Rectangular Connector Hoods & Bases



Hood & Base Connector Product Type: **Hood**

Cable Entry Location: **Side**

Hood & Base Locking Device Type: **Locking Clip**

Sealable: **Yes**

Circuit Application: **Power & Signal**

Features

Product Type Features

Hood & Base Connector Product Type	Hood
Sealable	Yes

Body Features

Cable Entry Location	Side
----------------------	------

Mechanical Attachment

Thread Size	M20
Hood & Base Locking Device Type	Locking Clip

Housing Features

Housing Material	Die Cast Aluminum
------------------	-------------------

Usage Conditions

Corrosion Protected	Yes
---------------------	-----

Operation/Application

Circuit Application	Power & Signal
---------------------	----------------

Product Compliance

[For compliance documentation, visit the product page on TE.com>](#)

EU RoHS Directive 2011/65/EU	Compliant
------------------------------	-----------



EU ELV Directive 2000/53/EC

Compliant

China RoHS 2 Directive MIIT Order No 32, 2016

No Restricted Materials Above Threshold

EU REACH Regulation (EC) No. 1907/2006

Current ECHA Candidate List: JUNE 2023 (235)

Candidate List Declared Against: JUNE 2023 (235)

Does not contain REACH SVHC

Halogen Content

Low Halogen - Br, Cl, F, I < 900 ppm per homogenous material. Also BFR/CFR/PVC Free

Solder Process Capability

Not reviewed for solder process capability

Product Compliance Disclaimer

This information is provided based on reasonable inquiry of our suppliers and represents our current actual knowledge based on the information they provided. This information is subject to change. The part numbers that TE has identified as EU RoHS compliant have a maximum concentration of 0.1% by weight in homogenous materials for lead, hexavalent chromium, mercury, PBB, PBDE, DBP, BBP, DEHP, DIBP, and 0.01% for cadmium, or qualify for an exemption to these limits as defined in the Annexes of Directive 2011/65/EU (RoHS2). Finished electrical and electronic equipment products will be CE marked as required by Directive 2011/65/EU. Components may not be CE marked. Additionally, the part numbers that TE has identified as EU ELV compliant have a maximum concentration of 0.1% by weight in homogenous materials for lead, hexavalent chromium, and mercury, and 0.01% for cadmium, or qualify for an exemption to these limits as defined in the Annexes of Directive 2000/53/EC (ELV). Regarding the REACH Regulation, the information TE provides on SVHC in articles for this part number is based on the latest European Chemicals Agency (ECHA) 'Guidance on requirements for substances in articles' posted at this URL: <https://echa.europa.eu/guidance-documents/guidance-on-reach>

Compatible Parts



TE Part # T3609200102-000
DLX-20-M



TE Part # T1410102000-000
H10B-AG



TE Part # T2040102101-000
HE-010-M



TE Part # T1410101000-Y00
H10B-AGS, MINERAL OIL RESISTANCE

Also in the Series | HDC IP65



Rectangular Connector Hoods & Bases
(1258)

Customers Also Bought



TE Part #52937-1
TERMINAL,PIDG SPR SPD 16-14 10



TE Part #2-32051-1
PIDG Spade Tongue Terminals



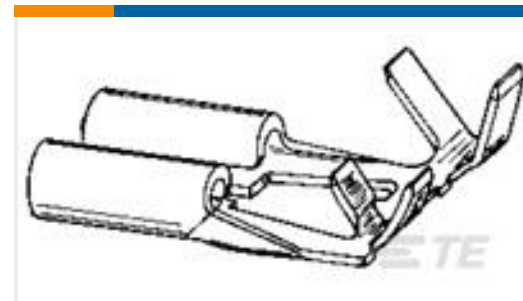
TE Part #6609020-8
5EB3=F7105 S0



TE Part #52291-4
TERMINAL R PG 8 5/16



TE Part #53241-2
PG SPR SPD 22-16COMM 22-18MIL8



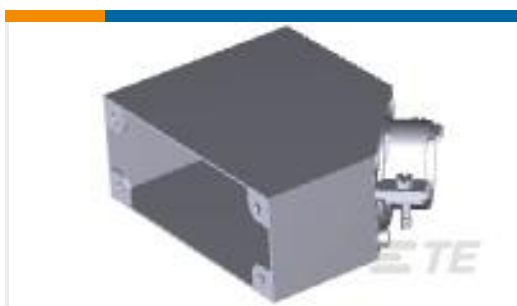
TE Part #180453-2
FF 312 REC 1-2.5MM2 TPBR



TE Part #7-1393254-7
W92-X112-30=M6/M7/M9/W6/W7



TE Part #T1440101120-000
H10B-SGRS-M20



TE Part #202169-1
M-SERIES HALF SHIELD KIT

Documents

Product Drawings

H10B-TSH-M20

English

CAD Files

3D PDF

3D

Customer View Model

[ENG_CVM_CVM_T1230100120-000_A.2d_dxf.zip](#)

English

Customer View Model

[ENG_CVM_CVM_T1230100120-000_A.3d_igs.zip](#)

English

Customer View Model

[ENG_CVM_CVM_T1230100120-000_A.3d_stp.zip](#)

English

By downloading the CAD file I accept and agree to the [Terms and Conditions](#) of use.



Datasheets & Catalog Pages

[Heavy Duty Connectors](#)

English

[HEAVY DUTY CONNECTORS](#)

English

Product Specifications

[Application Specification](#)

English