



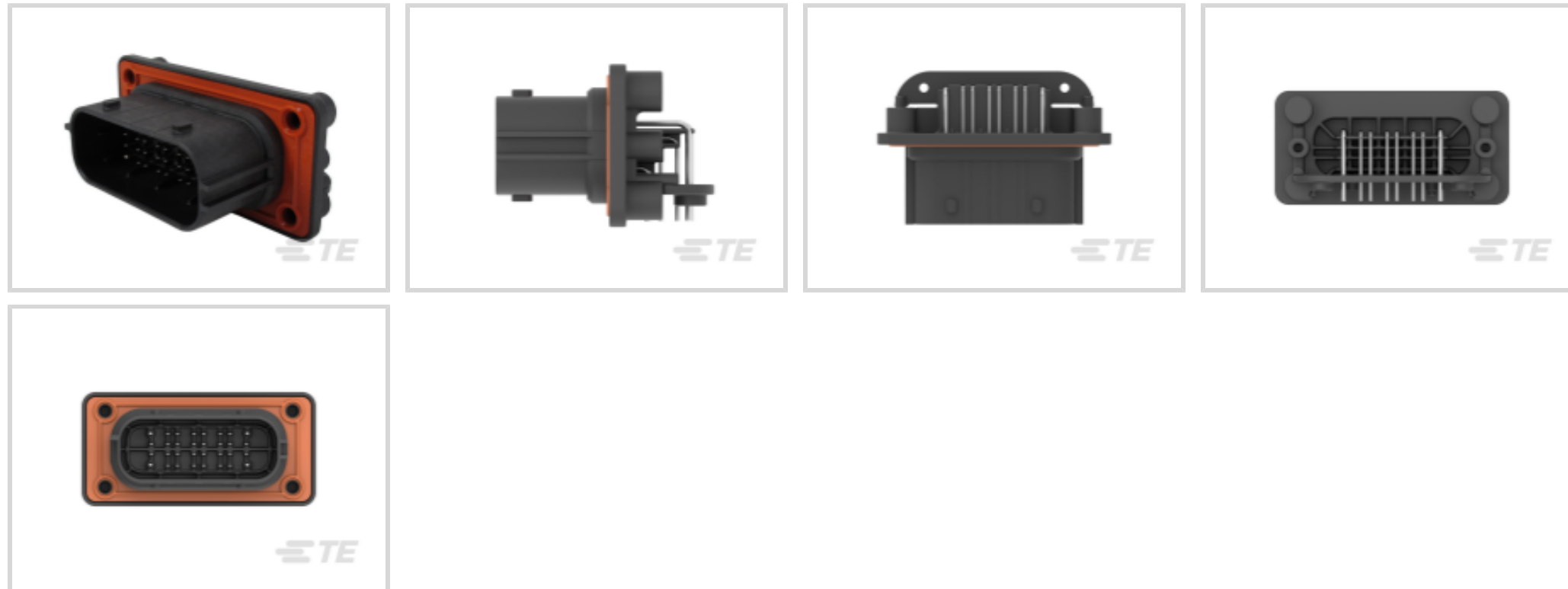
DEUTSCH | STRIKE

TE Internal #: SRK13-MDA-32A-001

PCB Mount Header, Right Angle, Wire-to-Board, 32 Position, 3.4 mm / 5.8 mm / 3 mm [.24 in / .134 in / .118 in] Centerline, Fully Shrouded, Tin, STRIKE

[View on TE.com >](#)

Connectors > PCB Connectors > PCB Headers & Receptacles > DEUTSCH Strike Headers



Connector System: **Wire-to-Board**

Number of Positions: **32**

Centerline (Pitch): **3 mm, 3.4 mm, 5.8 mm, 6.1 mm [.118 in, .134 in, .228 in, .24 in]**

Sealable: **Yes**

PCB Mount Orientation: **Right Angle**

[All DEUTSCH Strike Headers \(9\)](#)

Features

Product Type Features

Mixed & Hybrid Header	Yes
Connector Shape	Rectangular
PCB Connector Assembly Type	PCB Mount Header
Header Type	Fully Shrouded
Connector System	Wire-to-Board
Sealable	Yes
Connector & Contact Terminates To	Wire & Cable

Configuration Features

Number of Sections	1
Number of Signal Positions	32
Number of Positions	32
PCB Mount Orientation	Right Angle
Number of Rows	4



Electrical Characteristics

Voltage Rating (Max)	250 VAC
Nominal Voltage Architecture	12 V, 24 V
Operating Voltage	250 VAC

Body Features

Primary Product Color	Black
Connector & Keying Code	A

Contact Features

Contact Size	Size 16, Size 20
Contact Type	Pin
Mating Pin Diameter	1.02 mm, 1.59 mm [.04 in][.063 in]
Contact Mating Area Plating Material	Tin
Contact Current Rating (Max)	7.5 A, 13 A

Termination Features

Termination Method to Printed Circuit Board	Through Hole - Solder
---	-----------------------

Mechanical Attachment

Mounting Holes	With
Mating Alignment Type	Keyed
Mating Retention	With
Mating Alignment	With
PCB Mount Alignment	With
Panel Mount Feature	With
PCB Mount Retention	With
PCB Mount Retention Type	Mounting Screw
Mating Retention Type	Locking Interface
Connector Mounting Type	Panel Mount

Housing Features

Centerline (Pitch)	3 mm, 3.4 mm, 5.8 mm, 6.1 mm [.118 in][.134 in][.228 in][.24 in]
--------------------	--

Dimensions

Connector Length	53.59 mm [2.11 in]
Connector Width	82.04 mm [3.23 in]



PCB Thickness (Recommended)	.78 – 3.18 mm [.031 – .125 in]
-----------------------------	--------------------------------

Profile Height from PCB	34.7 mm [1.366 in]
-------------------------	--------------------

Usage Conditions

Operating Temperature (Max)	125 °C [257 °F]
-----------------------------	-----------------

Operating Temperature Range	-55 – 125 °C [-67 – 257 °F]
-----------------------------	-----------------------------

Operation/Application

Shielded	No
----------	----

Circuit Application	Power & Signal
---------------------	----------------

Industry Standards

Degree of Protection	Not Tested
----------------------	------------

UL Flammability Rating	Not tested
------------------------	------------

Packaging Features

Packaging Type	Box
----------------	-----

Packaging Quantity	48
--------------------	----

Product Compliance

[For compliance documentation, visit the product page on TE.com>](#)

EU RoHS Directive 2011/65/EU	Compliant
------------------------------	-----------

EU ELV Directive 2000/53/EC	Compliant
-----------------------------	-----------

China RoHS 2 Directive MIIT Order No 32, 2016	No Restricted Materials Above Threshold
---	---

EU REACH Regulation (EC) No. 1907/2006	Current ECHA Candidate List: JUNE 2023 (235) Candidate List Declared Against: JAN 2023 (233) Does not contain REACH SVHC
--	--

Halogen Content	Not Low Halogen - contains Br or Cl > 900 ppm.
-----------------	--

Solder Process Capability	Not reviewed for solder process capability
---------------------------	--

Product Compliance Disclaimer

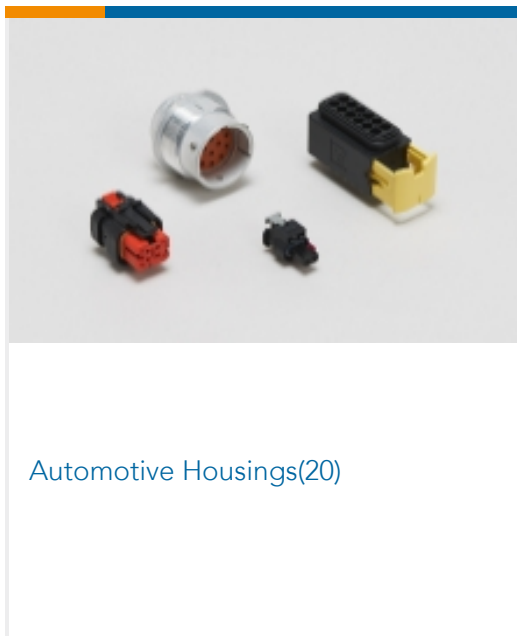
This information is provided based on reasonable inquiry of our suppliers and represents our current actual knowledge based on the information they provided. This information is subject to change. The part numbers that TE has identified as EU RoHS compliant have a maximum concentration of 0.1% by weight in homogenous materials for lead, hexavalent chromium, mercury, PBB, PBDE, DBP, BBP, DEHP, DIBP, and 0.01% for cadmium, or qualify for an exemption to these limits as defined in the Annexes of Directive 2011/65/EU (RoHS2). Finished electrical and electronic equipment products will be CE marked as required by Directive 2011/65/EU. Components may not be CE marked. Additionally, the part numbers that TE has identified as EU ELV compliant have a maximum concentration of 0.1% by weight in homogenous materials for lead, hexavalent chromium, and mercury, and 0.01% for cadmium, or qualify for an exemption to these limits as defined in the Annexes of Directive 2000/53/EC (ELV). Regarding the REACH Regulation, the information TE provides

on SVHC in articles for this part number is based on the latest European Chemicals Agency (ECHA) 'Guidance on requirements for substances in articles' posted at this URL: <https://echa.europa.eu/guidance-documents/guidance-on-reach>

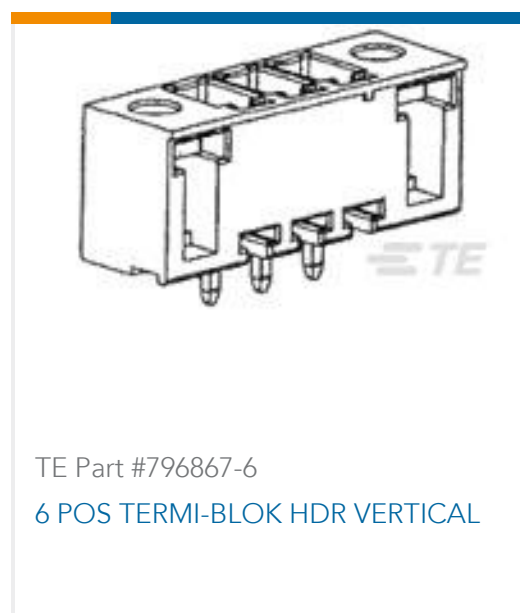
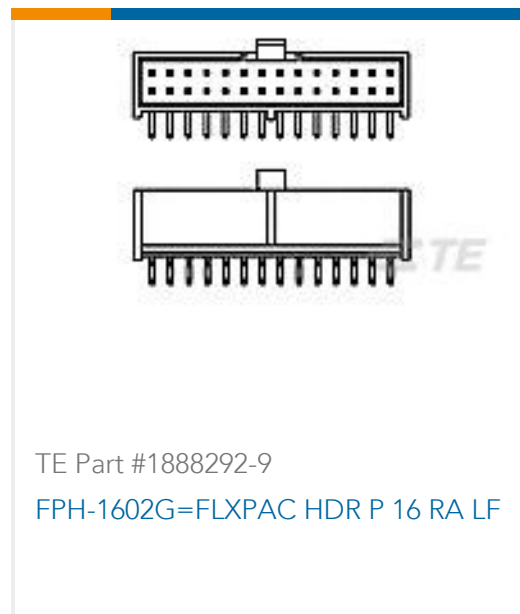
Compatible Parts



Also in the Series | STRIKE



Customers Also Bought



Documents

Product Drawings



HDR, 32P, BLK, RA, SN/NI/CU, A

English

CAD Files

3D PDF

3D

Customer View Model

[ENG_CVM_CVM_SRK13-MDA-32A-001_99_c-srk13-mda-32a-001-99.2d_dxf.zip](#)

English

Customer View Model

[ENG_CVM_CVM_SRK13-MDA-32A-001_99_c-srk13-mda-32a-001-99.3d_igs.zip](#)

English

Customer View Model

[ENG_CVM_CVM_SRK13-MDA-32A-001_99_c-srk13-mda-32a-001-99.3d_stp.zip](#)

English

By downloading the CAD file I accept and agree to the [Terms and Conditions](#) of use.

Product Specifications

Product Specification

English