



Sensors > Position Sensors > Potentiometer Sensors > Cable Actuated Position Sensors > SP SERIES, STRING POTS



Cable Actuated Position Sensor Product Type: **SP Series, String Pots**

Full Stroke Ranges: 101.6 – 1270 mm [ 4 – 50 in ]

Output Signal: **Voltage Divider (Potentiometric)**

Cable Actuated Position Sensor Accuracy: **.25 % of FS**

Repeatability: **.02 % of FS**

[All SP SERIES, STRING POTS \(4\)](#)

## Features

### Product Type Features

Cable Actuated Position Sensor Product Type	SP Series, String Pots
---	------------------------

### Signal Characteristics

Output Signal	Voltage Divider (Potentiometric)
---------------	----------------------------------

### Body Features

Cable Actuated Position Sensor Housing Material	Polycarbonate + Stainless Mounting Bracket
---	--

### Usage Conditions

Operating Temperature Range	-18 – 71 °C[0 – 160 °F]
-----------------------------	-------------------------

### Operation/Application

Resolution	Continuous Analog mm
------------	----------------------

### Industry Standards

IP Rating	IP51
Hazardous Area Approval	No

### Other

Full Stroke Ranges	101.6 – 1270 mm[4 – 50 in]
Cable Actuated Position Sensor Accuracy	.25 % of FS



Repeatability	.02 % of FS
Encoder Drive	No
Measuring Cable	Nylon-Coated Stainless Steel

### Product Compliance

[For compliance documentation, visit the product page on TE.com>](#)

EU RoHS Directive 2011/65/EU	Compliant with Exemptions
EU ELV Directive 2000/53/EC	Compliant with Exemptions
China RoHS 2 Directive MIIT Order No 32, 2016	Restricted Materials Above Threshold
EU REACH Regulation (EC) No. 1907/2006	Current ECHA Candidate List: JUNE 2023 (235) Candidate List Declared Against: JUL 2021 (219) Does not contain REACH SVHC
Halogen Content	Not Yet Reviewed for halogen content
Solder Process Capability	Not reviewed for solder process capability

#### Product Compliance Disclaimer

This information is provided based on reasonable inquiry of our suppliers and represents our current actual knowledge based on the information they provided. This information is subject to change. The part numbers that TE has identified as EU RoHS compliant have a maximum concentration of 0.1% by weight in homogenous materials for lead, hexavalent chromium, mercury, PBB, PBDE, DBP, BBP, DEHP, DIBP, and 0.01% for cadmium, or qualify for an exemption to these limits as defined in the Annexes of Directive 2011/65/EU (RoHS2). Finished electrical and electronic equipment products will be CE marked as required by Directive 2011/65/EU. Components may not be CE marked. Additionally, the part numbers that TE has identified as EU ELV compliant have a maximum concentration of 0.1% by weight in homogenous materials for lead, hexavalent chromium, and mercury, and 0.01% for cadmium, or qualify for an exemption to these limits as defined in the Annexes of Directive 2000/53/EC (ELV). Regarding the REACH Regulation, the information TE provides on SVHC in articles for this part number is based on the latest European Chemicals Agency (ECHA) 'Guidance on requirements for substances in articles' posted at this URL: <https://echa.europa.eu/guidance-documents/guidance-on-reach>

### Compatible Parts



TE Part # SP2-25  
STRING POT 25 INCH RANGE



TE Part # CAT-SE594-M1GG  
M12 A-Code Pigtail, Female, Straight



TE Part # 9036810-0040  
CONN,PLUG,STRGHT,4COND,5M, SC4

### Also in the Series | MEAS SP



Cable Actuated Position Sensors(22)

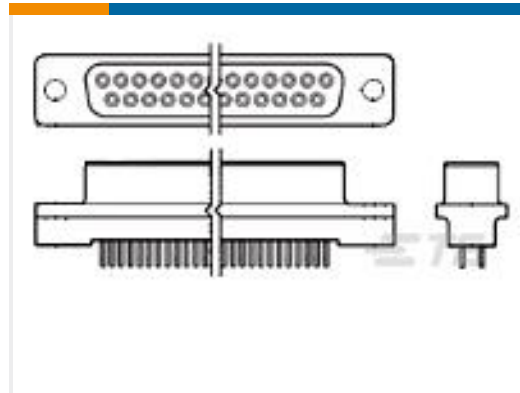
## Customers Also Bought



TE Part #T4113001051-000  
M12,MALE,RA,A CODE,5P,PG7,GOLD



TE Part #5745434-8  
09 PLUG RA/MS 454



TE Part #5745076-4  
HD-20 RCPT 9P VERT FFSCRLK



TE Part #DP86-001D  
1PSID MV DIFFERENTIAL PRESSURE SENSOR



TE Part #5036070001  
TMS-SCE-5K-3/32-2.0-9



TE Part #20007020-00  
4610-200-120-D



TE Part #1878644-7  
MAM127



TE Part #1878655-3  
QC145



TE Part #20005897-00  
PRESS XDCR M325P-000005-016BG



TE Part #US381-000002-001BA  
PRESS XDCR US381-000002-001BA

## Documents

[CAD Files](#)

[3D PDF](#)

[3D](#)

[Customer View Model](#)

[ENG\\_CVM\\_CVM\\_SP2-50\\_1.2d\\_dxf.zip](#)

[English](#)

[Customer View Model](#)

[ENG\\_CVM\\_CVM\\_SP2-50\\_1.3d\\_igs.zip](#)



English

Customer View Model

[ENG\\_CVM\\_CVM\\_SP2-50\\_1.3d\\_stp.zip](#)

English

By downloading the CAD file I accept and agree to the [Terms and Conditions](#) of use.