



Sensors > Position Sensors > Potentiometer Sensors > Cable Actuated Position Sensors > SP SERIES, STRING POTS



Cable Actuated Position Sensor Product Type: **SP Series, String Pots**

Full Stroke Ranges: 101.6 – 1270 mm [4 – 50 in]

Output Signal: **Voltage Divider (Potentiometric)**

Cable Actuated Position Sensor Accuracy: **.25 % of FS**

Repeatability: **.02 % of FS**

[All SP SERIES, STRING POTS \(4\)](#)

Features

Product Type Features

Cable Actuated Position Sensor Product Type	SP Series, String Pots
---	------------------------

Signal Characteristics

Output Signal	Voltage Divider (Potentiometric)
---------------	----------------------------------

Body Features

Cable Actuated Position Sensor Housing Material	Polycarbonate + Stainless Mounting Bracket
---	--

Usage Conditions

Operating Temperature Range	-18 – 71 °C[0 – 160 °F]
-----------------------------	-------------------------

Operation/Application

Resolution	Continuous Analog mm
------------	----------------------

Industry Standards

IP Rating	IP51
Hazardous Area Approval	No

Other

Full Stroke Ranges	101.6 – 1270 mm[4 – 50 in]
Cable Actuated Position Sensor Accuracy	.25 % of FS



Repeatability	.02 % of FS
Encoder Drive	No
Measuring Cable	Nylon-Coated Stainless Steel

Product Compliance

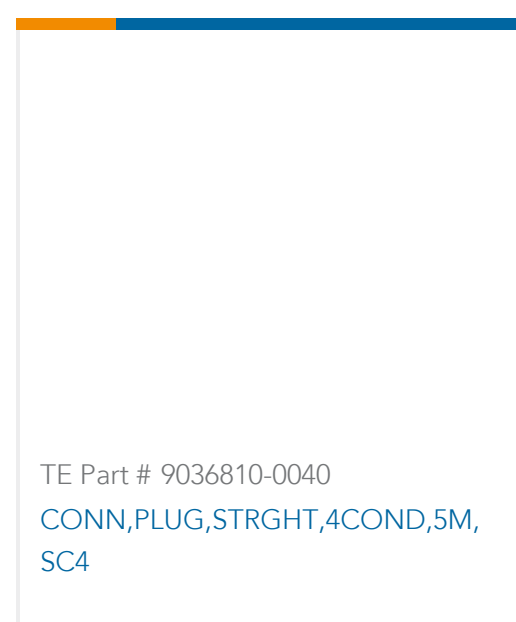
[For compliance documentation, visit the product page on TE.com>](#)

EU RoHS Directive 2011/65/EU	Compliant
EU ELV Directive 2000/53/EC	Compliant
China RoHS 2 Directive MIIT Order No 32, 2016	No Restricted Materials Above Threshold
EU REACH Regulation (EC) No. 1907/2006	Current ECHA Candidate List: JUNE 2023 (235) Candidate List Declared Against: JUN 2020 (209) Does not contain REACH SVHC
Halogen Content	Not Yet Reviewed for halogen content
Solder Process Capability	Not reviewed for solder process capability

Product Compliance Disclaimer

This information is provided based on reasonable inquiry of our suppliers and represents our current actual knowledge based on the information they provided. This information is subject to change. The part numbers that TE has identified as EU RoHS compliant have a maximum concentration of 0.1% by weight in homogenous materials for lead, hexavalent chromium, mercury, PBB, PBDE, DBP, BBP, DEHP, DIBP, and 0.01% for cadmium, or qualify for an exemption to these limits as defined in the Annexes of Directive 2011/65/EU (RoHS2). Finished electrical and electronic equipment products will be CE marked as required by Directive 2011/65/EU. Components may not be CE marked. Additionally, the part numbers that TE has identified as EU ELV compliant have a maximum concentration of 0.1% by weight in homogenous materials for lead, hexavalent chromium, and mercury, and 0.01% for cadmium, or qualify for an exemption to these limits as defined in the Annexes of Directive 2000/53/EC (ELV). Regarding the REACH Regulation, the information TE provides on SVHC in articles for this part number is based on the latest European Chemicals Agency (ECHA) 'Guidance on requirements for substances in articles' posted at this URL: <https://echa.europa.eu/guidance-documents/guidance-on-reach>

Compatible Parts

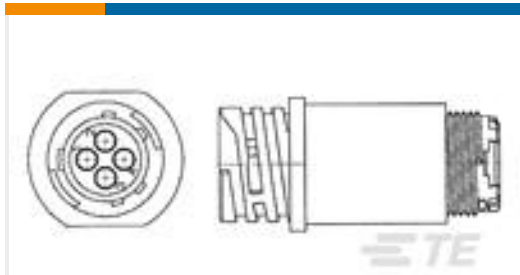


Also in the Series | MEAS SP



Cable Actuated Position Sensors(22)

Customers Also Bought



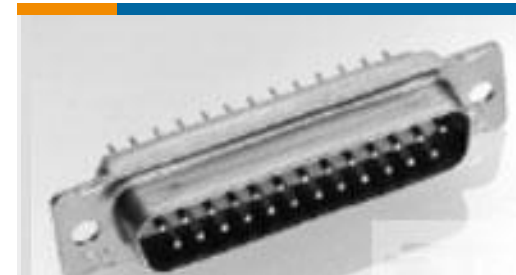
TE Part #788155-2
SLD CPC RCPT ASSY,11-4,REV SEX



TE Part #GA10K4A1A
DISCRETE 10K OHMS,+/-0.1C FROM 0C TO 70C



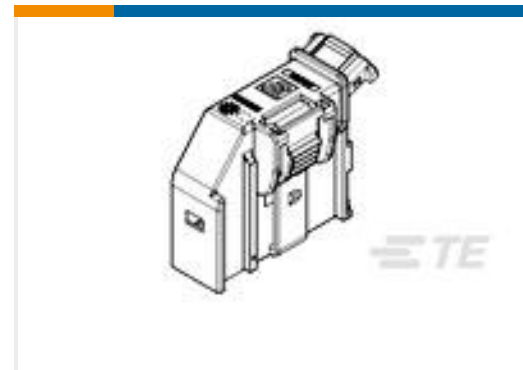
TE Part #1-2308272-1
CABLE CLAMPS (CASE RAW)



TE Part #1757820-4
AMPLIMITE,ASY,RCPT,STD,109,ZN,4



TE Part #YDTS20F17-06PNV001
RECP ASSY



TE Part #1924141-1
Shield, 26P GenY, Hand Mate Conn



TE Part #776001-1
RECPT TERMINAL 1.5MM OBD CONN



TE Part #2157481-1
AMPLIMITE IP67, SZ1, 109, 9 POS, RCPT



TE Part #1532175-3
M83513/04-E03N, MCKS-N1-B-31S6G9-18.0



TE Part #NB20274001
VERSAFIT-3/16-0-SP

Documents

CAD Files

[3D PDF](#)

[3D](#)

Customer View Model

[ENG_CVM_CVM_SP2-4_1.2d_dxf.zip](#)

English

Customer View Model

[ENG_CVM_CVM_SP2-4_1.3d_igs.zip](#)



English

Customer View Model

[ENG_CVM_CVM_SP2-4_1.3d_stp.zip](#)

English

By downloading the CAD file I accept and agree to the [Terms and Conditions](#) of use.