

SM1-7 ✓ ACTIVE

MEAS | MEAS SM

TE Internal #: SM1-7

TE Internal Description: STRING POT, 7.5 INCH RANGE

Shielded Cable Mini String Pot

[View on TE.com >](#)



Sensors > Position Sensors > Potentiometer Sensors > Cable Actuated Position Sensors > Shielded Cable Mini String Pot



Cable Actuated Position Sensor Product Type: **SM, Mini String Pot Series**

Full Stroke Ranges: **63.5 – 635 mm [7.5 in]**

Output Signal: **Voltage Divider (Potentiometric)**

Cable Actuated Position Sensor Accuracy: **.25 % of FS**

Repeatability: **.02 % of FS**

[All Shielded Cable Mini String Pot \(4\)](#)

Features

Product Type Features

Cable Actuated Position Sensor Product Type	SM, Mini String Pot Series
---	----------------------------

Signal Characteristics

Output Signal	Voltage Divider (Potentiometric)
---------------	----------------------------------

Body Features

Cable Actuated Position Sensor Housing Material	Polycarbonate + Stainless Mounting Bracket
---	--

Usage Conditions

Operating Temperature Range	-18 – 71 °C[0 – 160 °F]
-----------------------------	-------------------------

Operation/Application

Resolution	Continuous Analog mm
------------	----------------------

Industry Standards

IP Rating	IP50
-----------	------

Hazardous Area Approval	No
-------------------------	----

Other

Full Stroke Ranges	63.5 – 635 mm[7.5 in]
--------------------	-----------------------

Cable Actuated Position Sensor Accuracy	.25 % of FS
---	-------------



Repeatability	.02 % of FS
Encoder Drive	No
Measuring Cable	Nylon-Coated Stainless Steel

Product Compliance

[For compliance documentation, visit the product page on TE.com>](#)

EU RoHS Directive 2011/65/EU	Compliant
EU ELV Directive 2000/53/EC	Out of Scope
China RoHS 2 Directive MIIT Order No 32, 2016	No Restricted Materials Above Threshold
EU REACH Regulation (EC) No. 1907/2006	Current ECHA Candidate List: JUNE 2023 (235) Candidate List Declared Against: JAN 2023 (233) Does not contain REACH SVHC
Halogen Content	Not Yet Reviewed for halogen content
Solder Process Capability	Not reviewed for solder process capability

Product Compliance Disclaimer

This information is provided based on reasonable inquiry of our suppliers and represents our current actual knowledge based on the information they provided. This information is subject to change. The part numbers that TE has identified as EU RoHS compliant have a maximum concentration of 0.1% by weight in homogenous materials for lead, hexavalent chromium, mercury, PBB, PBDE, DBP, BBP, DEHP, DIBP, and 0.01% for cadmium, or qualify for an exemption to these limits as defined in the Annexes of Directive 2011/65/EU (RoHS2). Finished electrical and electronic equipment products will be CE marked as required by Directive 2011/65/EU. Components may not be CE marked. Additionally, the part numbers that TE has identified as EU ELV compliant have a maximum concentration of 0.1% by weight in homogenous materials for lead, hexavalent chromium, and mercury, and 0.01% for cadmium, or qualify for an exemption to these limits as defined in the Annexes of Directive 2000/53/EC (ELV). Regarding the REACH Regulation, the information TE provides on SVHC in articles for this part number is based on the latest European Chemicals Agency (ECHA) 'Guidance on requirements for substances in articles' posted at this URL: <https://echa.europa.eu/guidance-documents/guidance-on-reach>

Compatible Parts

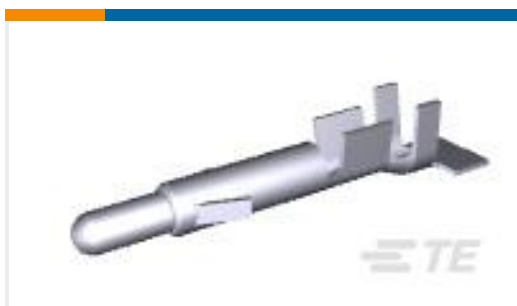


Also in the Series | [MEAS SM](#)



Cable Actuated Position Sensors(8)

Customers Also Bought

TE Part #926300-1
6P UNIV.M-N-L.PLUGTE Part #640586-1
08P UMNL PLUG HSG V2 NATLTE Part #926869-3
UNIV-MNL SOCKET 1TE Part #41581
RT .171 DIA TERMINAL 24-20 AWG
TPBRTE Part #926883-1
UNIVERSAL M-N-L PINTE Part #336075-3
250 FASTON,REC.,20-16 AWG,PTBRTE Part #964280-6
JPT A REC 2.8 Contact SRC Ag

Documents

CAD Files

3D PDF

3D

Customer View Model

[ENG_CVM_CVM_SM1-7_1.2d_dxf.zip](#)

English

Customer View Model

[ENG_CVM_CVM_SM1-7_1.3d_igs.zip](#)

English

Customer View Model

[ENG_CVM_CVM_SM1-7_1.3d_stp.zip](#)

English

By downloading the CAD file I accept and agree to the [Terms and Conditions](#) of use.

Datasheets & Catalog Pages

SM1

English

