



Sensors > Position Sensors > Potentiometer Sensors > Cable Actuated Position Sensors > String Pots 4 – 20 mA | SG Series



Cable Actuated Position Sensor Product Type: **SG Series String Pots**

Full Stroke Ranges: **3048 mm [120 in]**

Output Signal: **0 – 10 VDC, 4 – 20 mA**

Cable Actuated Position Sensor Accuracy: **.35 % of FS**

Repeatability: **.02 % of FS**

[All String Pots 4 – 20 mA | SG Series \(2\)](#)

Features

Product Type Features

Cable Actuated Position Sensor Product Type	SG Series String Pots
---	-----------------------

Signal Characteristics

Output Signal	0 – 10 VDC, 4 – 20 mA
---------------	-----------------------

Body Features

Cable Actuated Position Sensor Housing Material	Polycarbonate + Stainless Mounting Bracket
---	--

Usage Conditions

Operating Temperature Range	-18 – 71 °C[0 – 160 °F]
-----------------------------	-------------------------

Operation/Application

Resolution	Continuous Analog mm
------------	----------------------

Industry Standards

IP Rating	IP67
Hazardous Area Approval	No

Other

Full Stroke Ranges	3048 mm[120 in]
Cable Actuated Position Sensor Accuracy	.35 % of FS

Repeatability	.02 % of FS
Encoder Drive	No
Measuring Cable	Nylon-Coated Stainless Steel

Product Compliance

[For compliance documentation, visit the product page on TE.com>](#)

EU RoHS Directive 2011/65/EU	Compliant with Exemptions
EU ELV Directive 2000/53/EC	Compliant
China RoHS 2 Directive MIIT Order No 32, 2016	Restricted Materials Above Threshold
EU REACH Regulation (EC) No. 1907/2006	<p>Current ECHA Candidate List: JUNE 2023 (235)</p> <p>Candidate List Declared Against: JAN 2023 (233)</p> <p>SVHC > Threshold:</p> <p>Pb (3.5% in Component a)</p> <p>Pb (.4% in Component b)</p> <p>Article Safe Usage Statements: Do not eat, drink or smoke when using this product. Wash thoroughly after handling. Recycle if possible and dispose of the article by following all applicable governmental regulations relevant to your geographic location.</p>
Halogen Content	Not Yet Reviewed for halogen content
Solder Process Capability	Not reviewed for solder process capability

Product Compliance Disclaimer

This information is provided based on reasonable inquiry of our suppliers and represents our current actual knowledge based on the information they provided. This information is subject to change. The part numbers that TE has identified as EU RoHS compliant have a maximum concentration of 0.1% by weight in homogenous materials for lead, hexavalent chromium, mercury, PBB, PBDE, DBP, BBP, DEHP, DIBP, and 0.01% for cadmium, or qualify for an exemption to these limits as defined in the Annexes of Directive 2011/65/EU (RoHS2). Finished electrical and electronic equipment products will be CE marked as required by Directive 2011/65/EU. Components may not be CE marked. Additionally, the part numbers that TE has identified as EU ELV compliant have a maximum concentration of 0.1% by weight in homogenous materials for lead, hexavalent chromium, and mercury, and 0.01% for cadmium, or qualify for an exemption to these limits as defined in the Annexes of Directive 2000/53/EC (ELV). Regarding the REACH Regulation, the information TE provides on SVHC in articles for this part number is based on the latest European Chemicals Agency (ECHA) 'Guidance on requirements for substances in articles' posted at this URL: <https://echa.europa.eu/guidance-documents/guidance-on-reach>

Compatible Parts



TE Part # SGD-80-3
STRING POT, 80 INCH RANGE



TE Part # CAT-SE594-M1GG
M12 A-Code Pigtail, Female, Straight



TE Part # 9036810-0040
CONN,PLUG,STRGHT,4COND,5M, SC4

Also in the Series | MEAS SG



Cable Actuated Position Sensors(13)

Customers Also Bought



TE Part #6609021-7
5VB1=F7126 S0



TE Part #6609028-9
5VK1 M0=F7139



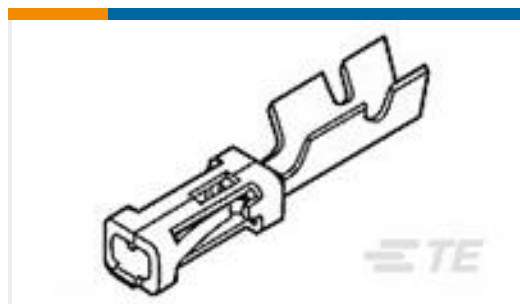
TE Part #7-2176231-3
3522 10K 1% 3W



TE Part #5747299-7
15 RCPT SP/FMS INSRT



TE Part #5747375-8
37 PLUG SP/FMS INSRT



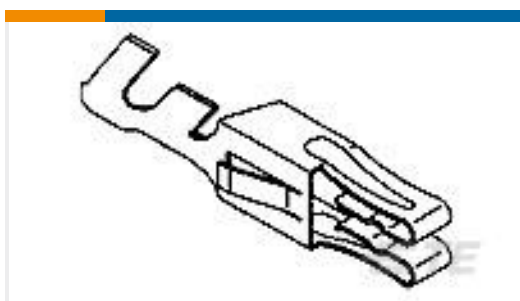
TE Part #1-87309-3
MOD V RECP LP



TE Part #87499-5
03 MODIV HSG SR MRKD .100CL



TE Part #SKD-250-3
250 IN 0-10V / 4-20MA IP67 STRING
POT



TE Part #530518-1
CONT.HIGH CURRENT L.P.

Documents

[CAD Files](#)

[3D PDF](#)

[3D](#)

[Customer View Model](#)

[ENG_CVM_CVM_SGD-120-3_A.2d_dxf.zip](#)

[English](#)

[Customer View Model](#)



[ENG_CVM_CVM_SGD-120-3_A.3d_igs.zip](#)

English

Customer View Model

[ENG_CVM_CVM_SGD-120-3_A.3d_stp.zip](#)

English

By downloading the CAD file I accept and agree to the [Terms and Conditions](#) of use.

Datasheets & Catalog Pages

SGD

English